

BUILT TO CONNECT

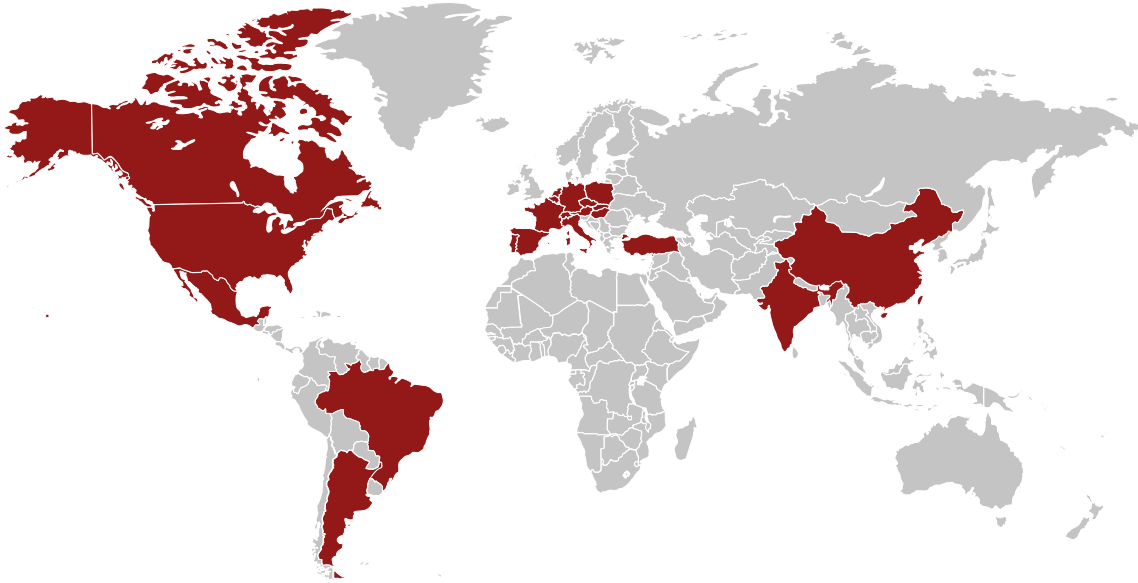


www.hpsinternational.com

MAIN CATALOGUE

Mono and Multicouplings





DISCOVER
OUR VARIETY.
HPS COUPLINGS.
WORLDWIDE.



HPS COUPLINGS - Build to Connect

Since its founding 34 years ago, the HPS International Group has become one of the world's leading cylinder and quick coupling manufacturers. Our strength is the ability to develop new technologies so that our customers can achieve real competitive advantages.

Our success and our knowledge are based on many years of experienced responsible employees and their entrepreneurial commitment.

Today HPS employs worldwide more than 200 people in over 14 locations.

In addition to an extensive cylinder portfolio, HPS develops and manufactures many other components and systems for use in a variety of applications. Application areas, including quick couplings, distributors, flow divider, hydraulic units and the IRON JAW system.

HPS is a Platinum Partner of Codipro, one of the global specialists for lifting rings.

Die HPS International Gruppe ist, seit der Gründung vor 34 Jahren, zu einem der weltweit führenden Zylinder- und Kupplungshersteller geworden. Unsere Stärke ist die Fähigkeit, neue Technologien zu entwickeln, damit unsere Kunden echte Wettbewerbsvorteile erzielen können.

Unser Erfolg und unser Wissen basieren auf erfahrenen und verantwortungsvollen Mitarbeitern und ihrem unternehmerischen Engagement.

Heute beschäftigt HPS weltweit mehr als 200 Mitarbeiter in über 14 Standorten.

Neben einem umfangreichen Zylinderportfolio entwickelt und fertigt HPS viele weitere Komponenten und Systeme für den Einsatz in unterschiedlichen Anwendungsbereichen, darunter Schnellverschlusskupplungen, Verteiler, Flow Divider, Hydraulik-Aggregate und das IRON JAW System.

HPS ist Platinum Partner von Codipro, einem weltweiten Spezialisten für Anschlagswirbel.

Gregory Poitrasson
President

Dipl.-Ing. Aydin Hanedar
Head of busines unit coupling systems

INDEX

	Page
Monocouplings	
APT (Fluids - International profile type)	6
BFF (Multi purpose - ISO 7241-1 SERIE)	20
CPF (Fluids - Full flow)	26
EPT (Fluids - European profile type)	34
FPT (Fluids - French profile type)	44
IHF (Hydraulics - ISO 16028 Flat face)	54
SPT (Fluids - French profile type)	58
SHF (Hydraulics)	70
TFF (Fluids - flat face)	74
Multicouplings	
EHC (Hydraulic Multicouplings 200 bar)	84
SHC (Hydraulic Multicouplings 100 bar)	98
SPT (Fluid Multicouplings)	112
TFF (Fluid flat face Multicouplings)	132
Collectors	
HPAC (Aluminium)	142
HPBC (Brass)	146
HPCC (Stainless steel)	150
Hoses	
MNG E95S (Water / Air Hose 95°C)	154
MNG P90S (Clampless hose 90°C)	155
MNG P120S (Clampless hose 120°C)	156
MNG P140S (Clampless hose 140°C)	157

	Page
Flow divider DR	158
Codipro Lifting rings	164
IRON JAW Iron Jaw - Clamping force booster	168



APT
International Standard Profile For Cooling



MONOCOUPPLINGS FOR

FLUIDS

APT, the international standard quick coupling system for low pressure applications and all media
 APT, das internationale Profil für Niederdruckanwendungen und alle Medien

Characteristics / Eigenschaften

- | | |
|--------------------------------|------------------------------------|
| • High quality materials | • Hochwertige Materialien |
| • Compact and Ergonomic design | • Kompaktes und ergonomisch Design |
| • Robust sealing concept | • Robustes Dichtungskonzept |
| • Available in stainless steel | • In Edelstahl erhältlich |
| • Available as multicoupling | • Als Multikupplung erhältlich |



Clampless hose system / Schnellsteck System

- | | |
|---|--|
| • Allows time-saving assembly without using hose clamps | • Ermöglicht zeitsparende Montage ohne Schlauchklemmen |
| • Space saving | • Platzsparend |
| • Reduces the risk of injury from sharp clamps | • Reduziert Verletzungsgefahr durch scharfe Klemmen |
| • Extensive application possibilities | • Umfangreiche Einsatzmöglichkeiten |

Disconnecting lock / Entkupplungssperre

All couplings are available with the "disconnecting lock" safety feature this prevents the coupling system from unintentionally disconnecting.

Alle Kupplungen sind mit dem Sicherheitsmerkmal- "Entkupplungs-Sperre" erhältlich welches das ungewollte entkoppeln des Kupplungssystems verhindert.



APT
 COUPLING STANDARD

APT

TEMPERATURE REGULATION

-- PROFILE INTERNATIONAL --

Options / Optionen

- Color coding / Farbkodierung R / B
- Stainless Steel / Edelstahl VA
- Safety locking / Sicherheitsverriegelung S

Using areas / Einsatzbereiche

- Cooling heating / Temperierung
- Injection moulding / Kunststoffindustrie

Materials

Body Socket	Brass
Body Plug	Brass
Sleeve	Brass
Valve	Brass
Locking Ring	Stainless steel
Spring	Stainless steel
Balls	Stainless steel
Seals	Viton (V)

Materialien

Kupplungskörper	Messing
Stecker	Messing
Hülse	Messing
Ventil	Messing
Sprengtring	Edelstahl
Feder	Edelstahl
Kugeln	Edelstahl
Dichtungen	Viton (V)



Temperature range / Temperaturbereich

Nitril (NBR)	N	- 15 °C +100 °C
Fluor Carbon (FPM)	V	- 20 °C +160 °C (Water / Wasser) - 20 °C +200 °C (Heating Oil / Wärmeträgeröl)

Always make sure no medium flows before disconnecting / Stellen Sie immer vor dem Trennen sicher, dass kein Medium fließt

APT 06 APT 09 APT 15

	Flow Size Nennweiten mm
--	----------------------------

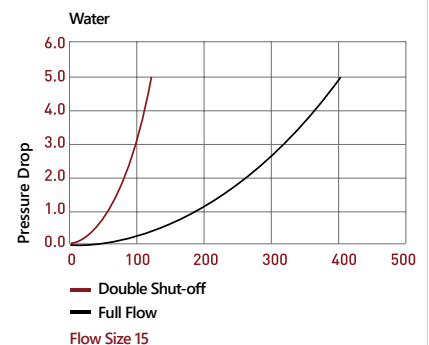
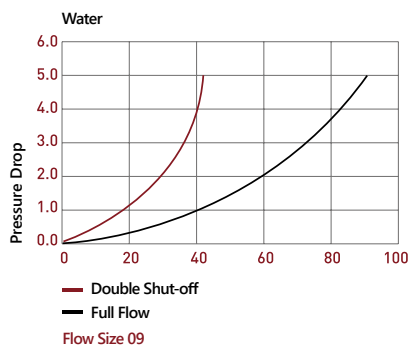
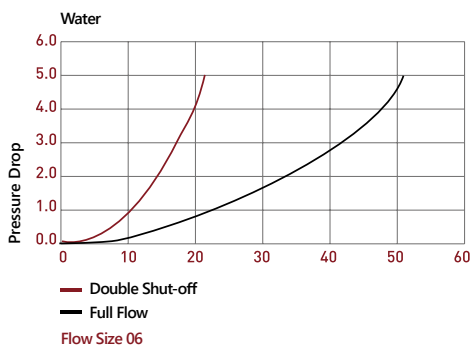
6	9	15
---	---	----

	Pressure Druck bar
--	-----------------------

10	15	15
----	----	----



HPS Serie APT Flow Rate & Pressure Drop Graph / Durchfluss- und Druckabfalldiagramm



Size			Ød	Ød1		L	L1
6	APT 06 FHB 06	APT 06 FHF 06	6 mm	17	56	50	23
	APT 06 FHB 09	APT 06 FHF 09	9 mm	17	56	50	23
	APT 06 FHB 13	APT 06 FHF 13	13 mm	17	56	52	25
9	APT 09 FHB 09	APT 09 FHF 09	9 mm	23	66	57	23
	APT 09 FHB 13	APT 09 FHF 13	13 mm	23	68	69	25
15	APT 15 FHB 16	APT 15 FHF 16	16 mm	32	85	71	25
	APT 15 FHB 19	APT 15 FHF 19	19 mm	32	93	78	28

Standard hose tail socket
Kupplung mit gerader Standard - Schlauchtülle

Size			Ød	Ød1		L	L1
6	APT 06 FPB 06	APT 06 FPF 06	6 mm	17	53	47	19
	APT 06 FPB 10	APT 06 FPF 10	10 mm	17	58	50	24
	APT 06 FPB 13	APT 06 FPF 13	13 mm	17	62	54	28
9	APT 09 FPB 10	APT 09 FPF 10	10 mm	22	68	60	24
	APT 09 FPB 13	APT 09 FPF 13	13 mm	22	72	64	28
15	APT 15 FPB 16	APT 15 FPF 16	16 mm	32	101	84	38
	APT 15 FPB 19	APT 15 FPF 19	19 mm	32	101	84	38

Clampless hose tail socket
Kupplung mit gerader Schnellsteck - Schlauchtülle

Size			Ød	Ød1		L	L1
6	APT 06 FHB 06-45°	APT 06 FHF 06-45°	6 mm	17	45	45	23
	APT 06 FHB 09-45°	APT 06 FHF 09-45°	9 mm	17	45	45	23
	APT 06 FHB 13-45°	APT 06 FHF 13-45°	13 mm	17	45	45	23
9	APT 09 FHB 09-45°	APT 09 FHF 09-45°	9 mm	23	58	58	23
	APT 09 FHB 13-45°	APT 09 FHF 13-45°	13 mm	23	58	58	25
15	APT 15 FHB 16-45°	APT 15 FHF 16-45°	16 mm	32	78	78	25
	APT 15 FHB 19-45°	APT 15 FHF 19-45°	19 mm	32	78	78	28

Standard hose tail socket 45°
Kupplung mit 45° Standard - Schlauchtülle

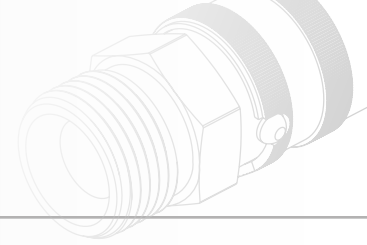
Size			Ød	Ød1		L	L1
6	APT 06 FPB 06-45°	APT 06 FPF 06-45°	6 mm	17	45	45	19
	APT 06 FPB 10-45°	APT 06 FPF 10-45°	10 mm	17	45	45	24
	APT 06 FPB 13-45°	APT 06 FPF 13-45°	13 mm	17	45	45	28
9	APT 09 FPB 10-45°	APT 09 FPF 10-45°	10 mm	23	58	58	24
	APT 09 FPB 13-45°	APT 09 FPF 13-45°	13 mm	23	60	58	28
15	APT 15 FPB 16-45°	APT 15 FPF 16-45°	16 mm	32	78	78	38
	APT 15 FPB 19-45°	APT 15 FPF 19-45°	19 mm	32	78	78	38

Clampless hose tail socket 45°
Kupplung mit 45° Schnellsteck - Schlauchtülle

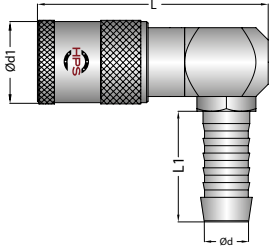
Size			Ød	Ød1	L	L1
6	APT 06 FPF 06-90° X 26		6 mm	17	26	19
	APT 06 FPF 10-90° X 26		10 mm	17	26	24
9	APT 09 FPF 10-90° X 36		10 mm	23	36	24
	APT 09 FPF 13-90° X 36		13 mm	23	36	28

Clampless hose tail socket 90°
Kupplung mit 90° Schnellsteck - Schlauchtülle

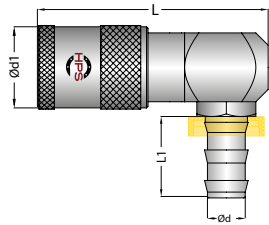
Short version
Kurze Version



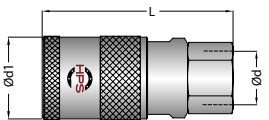
Standard hose tail socket 90° Kupplung mit 90° Standard - Schlauchtülle		Size			Ød	Ød1	L	L1
6	APT 06 FHB 06-90°	APT 06 FHF 06-90°	6 mm	17	45	45	23	
	APT 06 FHB 09-90°	APT 06 FHF 09-90°	9 mm	17	45	45	23	
	APT 06 FHB 13-90°	APT 06 FHF 13-90°	13 mm	17	45	45	25	
9	APT 09 FHB 09-90°	APT 09 FHF 09-90°	9 mm	23	58	58	23	
	APT 09 FHB 13-90°	APT 09 FHF 13-90°	13 mm	23	58	58	25	
15	APT 15 FHB 16-90°	APT 15 FHF 16-90°	16 mm	32	81	81	28	
	APT 15 FHB 19-90°	APT 15 FHF 19-90°	19 mm	32	81	81	28	



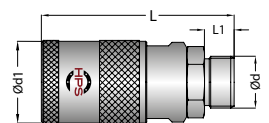
Clampless hose tail socket 90° Kupplung mit 90° Schnellsteck - Schlauchtülle		Size			Ød	Ød1	L	L1
6	APT 06 FPB 06-90°	APT 06 FPF 06-90°	6 mm	17	45	45	19	
	APT 06 FPB 10-90°	APT 06 FPF 10-90°	10 mm	17	45	45	24	
	APT 06 FPB 13-90°	APT 06 FPF 13-90°	13 mm	17	45	45	28	
9	APT 09 FPB 10-90°	APT 09 FPF 10-90°	10 mm	23	58	58	24	
	APT 09 FPB 13-90°	APT 09 FPF 13-90°	13 mm	23	58	58	28	
15	APT 15 FPB 16-90°	APT 15 FPF 16-90°	16 mm	32	81	81	38	
	APT 15 FPB 19-90°	APT 15 FPF 19-90°	19 mm	32	81	81	38	



Cylindrical female thread socket Kupplung mit Innengewinde zylindrisch		Size			Ød	Ød1	L	HEX
6	APT 06 FFB 10	APT 06 FFF 10	BSP 1/8	17	41	14		
	APT 06 FFB 13	APT 06 FFF 13	BSP 1/4	17	43	16		
	APT 06 FFB 17	APT 06 FFF 17	BSP 3/8	17	43	19		
9	APT 09 FFB 13	APT 09 FFF 13	BSP 1/4	23	52	17		
	APT 09 FFB 17	APT 09 FFF 17	BSP 3/8	23	52	19		
	APT 09 FFB 21	APT 09 FFF 21	BSP 1/2	23	57	24		
15	APT 15 FFB 21	APT 15 FFF 21	BSP 1/2	32	70	27		
	APT 15 FFB 26	APT 15 FFF 26	BSP 3/4	32	75	30		



Cylindrical male thread socket Kupplung mit Aussengewinde zylindrisch		Size			Ød	Ød1	L	L1	HEX
6	APT 06 FMB 13	APT 06 FMF 13	BSP 1/4	17	46	11	14		
	APT 06 FMB 17	APT 06 FMF 17	BSP 3/8	17	46	11	17		
	APT 06 FMB 1415	APT 06 FMF 1415	M14x1.5	17	46	11	15		
	APT 06 FMB 1615	APT 06 FMF 1615	M16x1.5	17	46	11	17		
9	APT 09 FMB 13	APT 09 FMF 13	BSP 1/4	23	56	11	17		
	APT 09 FMB 17	APT 09 FMF 17	BSP 3/8	23	56	11	17		
	APT 09 FMB 21	APT 09 FMF 21	BSP 1/2	23	58	12	21		
	APT 09 FMB 1615	APT 09 FMF 1615	M16x1.5	23	56	11	17		
15	APT 15 FMB 21	APT 15 FMF 21	BSP 1/2	32	78	12	22		
	APT 15 FMB 26	APT 15 FMF 26	BSP 3/4	32	82	16	30		
	APT 15 FMB 2415	APT 15 FMF 2415	M24x1.5	32	82	16	27		



Size			Ød	Ød1	L	L1	HEX
6	APT 06 FMB 13-45°	APT 06 FMF 13-45°	BSP 1/4	17	45	11	14
	APT 06 FMB 17-45°	APT 06 FMF 17-45°	BSP 3/8	17	45	11	17
	APT 06 FMB 1415-45°	APT 06 FMF 1415-45°	M14x1.5	17	45	11	15
	APT 06 FMB 1615-45°	APT 06 FMF 1615-45°	M16x1.5	17	45	11	17
9	APT 09 FMB 17-45°	APT 09 FMF 17-45°	BSP 3/8	23	58	11	17
	APT 09 FMB 1615-45°	APT 09 FMF 1615-45°	M16x1.5	23	58	11	17
15	APT 15 FMB 21-45°	APT 15 FMF 21-45°	BSP 1/2	32	76	12	22
	APT 15 FMB 2415-45°	APT 15 FMF 2415-45°	M24x1.5	32	76	16	30

**Cylindrical male thread socket 45°
Kupplung mit 45° Aussengewinde zylindrisch**

Size			Ød	Ød1	L	L1	HEX
6	APT 06 FMB 13-90°	APT 06 FMF 13-90°	BSP 1/4	17	45	11	14
	APT 06 FMB 17-90°	APT 06 FMF 17-90°	BSP 3/8	17	45	11	17
	APT 06 FMB 1415-90°	APT 06 FMF 1415-90°	M14x1.5	17	45	11	15
	APT 06 FMB 1615-90°	APT 06 FMF 1615-90°	M16x1.5	17	45	11	17
9	APT 09 FMB 17-90°	APT 09 FMF 17-90°	BSP 3/8	23	58	11	17
	APT 09 FMB 1615-90°	APT 09 FMF 1615-90°	M16x1.5	23	58	11	17
15	APT 15 FMB 21-90°	APT 15 FMF 21-90°	BSP 1/2	32	81	12	32
	APT 15 FMB 2415-90°	APT 15 FMF 2415-90°	M24x1.5	32	81	16	30

**Cylindrical male thread socket 90°
Kupplung mit 90° Aussengewinde zylindrisch**

Size	Order No / Bestellnr.	Ød1	L
6	APT 06 FB	17	27
9	APT 09 FB	23	36
15	APT 15 FB	32	44

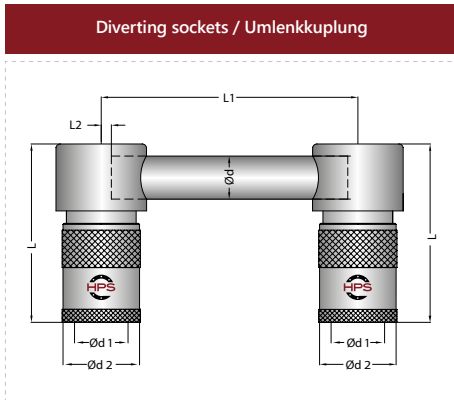
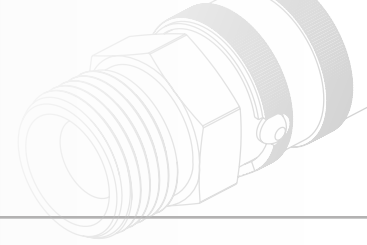
Blind Socket / Blindkupplung

Size	With Valve / Mit Ventil	Without Valve / Ohne Ventil	Ød	Ød1	Ød2	Ød3	L	max. flow
6	APT 06 FXB APT 06	APT 06 FXF APT 06	6	9.5	17	9.5	41	6
6	APT 06 FXB APT 09	APT 06 FXF APT 09	9	13.5	23	9.5	48	6
9	APT 09 FXB APT 06	APT 09 FXF APT 06	6	9.5	17	13.5	51	6
9	APT 09 FXB APT 09	APT 09 FXF APT 09	9	13.5	23	13.5	53	9

**Adapting socket with the plug
Adapterkupplung mit Nippel**

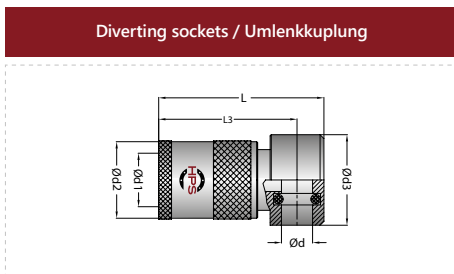
Size	With Valve / Mit Ventil	Without Valve / Ohne Ventil	Ød	Ød1	Ød2	Ød3	L	max. flow
6	APT 06 FXB EPT06	APT 06 FXF EPT 06	6	9	17	9.5	40	6
6	APT 06 FXB EPT 09	APT 06 FXF EPT 09	9	13	23	9.5	36	6
9	APT 09 FXB EPT 06	APT 09 FXF EPT 06	6	9	17	13.5	50	6
9	APT 09 FXB EPT 09	APT 09 FXF EPT 09	9	13	23	13.5	57	9

**Adapting socket with the plug
Adapterkupplung mit Nippel**

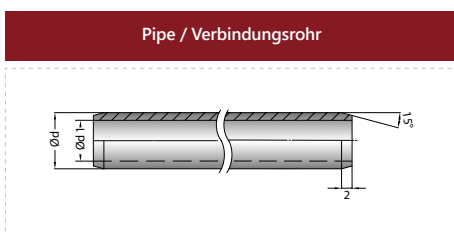


Size	Without Valve / Ohne Ventil	Ød	Ød1	Ød2	L	L1	L2
6	APT 06 FCF 125	8x1	9.4	17	44	125	2
	APT 06 FCF 250	8x1	9.4	17	44	250	2
	APT 06 FCF 500	8x1	9.4	17	44	500	2
9	APT 09 FCF 125	10x1	13.5	23	57	125	2
	APT 09 FCF 250	10x1	13.5	23	57	250	2
	APT 09 FCF 500	10x1	13.5	23	57	500	2

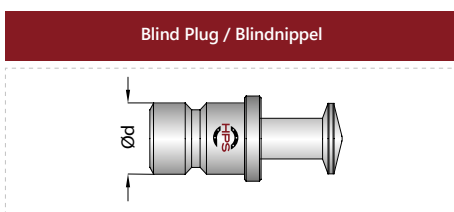
Includes 2 sockets and pipe / Beinhaltet 2 Kupplungen und das Verbindungsrohr



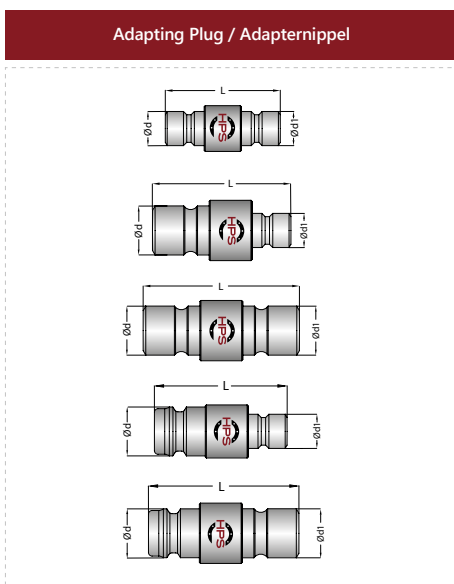
Size	Without Valve / Ohne Ventil	Ød	Ød1	Ød2	Ød3	L	L3
6	APT 06 FCF	8x1	9.4	17	20	44	37
9	APT 09 FCF	10x1	13.5	23	26	57	49



Size	Brass Tube Messing Rohr	Ød	Ød1	Length / Länge
6	APT 0810x1000	8	6	1000 mm
9	APT 1010x1000	10	8	1000 mm



Size	Order No / Bestellnr.	Ød
6	APT 06 MB	9.4
9	APT 09 MB	13.5
15	APT 13 MB	20



Size		Ød	Ød1	L
6	APT 06 MXM APT 06	9.4	9.4	32
6	APT 06 MXM APT 09	13.5	9.4	32
9	APT 09 MXM APT 09	13.5	13.5	33
6	APT 06 MXM EPT 06	9	9.4	28
9	APT 09 MXM EPT 09	13	13.5	33

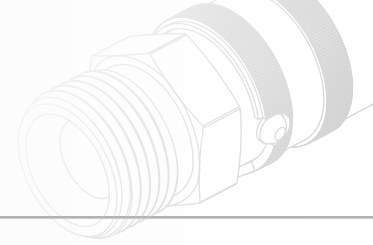
Size		$\varnothing d$	$\varnothing d_1$	L	L1	HEX	Conical male thread plug Nippel mit Aussengewinde konisch
6	APT 06 MRF 10	BSPT 1/8	9.4	24	9	11	
	APT 06 MRF 13	BSPT 1/4	9.4	27	12	14	
	APT 06 MRF 17	BSPT 3/8	9.4	27	12	17	
	APT 06 MTF 10	NPT 1/8	9.4	24	9	11	
	APT 06 MTF 13	NPT 1/4	9.4	28	13	14	
	APT 06 MTF 17	NPT 3/8	9.4	28	13	17	
	APT 06 MMF 1010	M10x1	9.4	24	9	11	
	APT 06 MMF 1415	M14x1.5	9.4	26	11	15	
APT 06 MMF 1615	M16x1.5	9.4	26	11	17		

Size		$\varnothing d$	$\varnothing d_1$	L	L1	HEX	Conical male thread plug Nippel mit Aussengewinde konisch
9	APT 09 MRF 13	BSPT 1/4	13.5	33	12	14	
	APT 09 MRF 17	BSPT 3/8	13.5	33	12	17	
	APT 09 MRF 21	BSPT 1/2	13.5	38	17	22	
	APT 09 MTF 13	NPT 1/4	13.5	33	13	14	
	APT 09 MTF 17	NPT 3/8	13.5	33	13	17	
	APT 09 MTF 21	NPT 1/2	13.5	38	17	22	
	APT 09 MMF 1010	M10x1	13.5	32	10	14	
	APT 09 MMF 1415	M14x1.5	13.5	32	11	15	
APT 09 MMF 1615	M16x1.5	13.5	33	12	17		

Size		$\varnothing d$	$\varnothing d_1$	L	L1	HEX	Conical male thread plug Nippel mit Aussengewinde konisch
15	APT 15 MRF 13	BSPT 1/4	20	38	12	21	
	APT 15 MRF 17	BSPT 3/8	20	38	12	21	
	APT 15 MRF 21	BSPT 1/2	20	42	16	22	
	APT 15 MRF 26	BSPT 3/8	20	43	18	27	
	APT 15 MTF 17	NPT 3/8	20	39	13	22	
	APT 15 MTF 21	NPT 1/2	20	42	16	22	
	APT 15 MTF 26	NPT 3/4	20	43	18	27	

Size		$\varnothing d$	$\varnothing d_1$	L	L1	Standard hose plug / Nippel mit Standard Schlauchtülle
6	APT 06 FHF 06	6 mm	9.4	37	23	
	APT 06 FHF 09	9 mm	9.4	37	23	
9	APT 09 FHF 09	9 mm	13.5	45	26	
	APT 09 FHF 13	13 mm	13.5	45	26	
15	APT 15 FHF 16	16 mm	20	50	28	
	APT 15 FHF 19	19 mm	20	55	28	

Size		$\varnothing d$	$\varnothing d_1$	L	L1	Clampless hose tail plug Nippel mit gerader Schnellsteck - Schlauchtülle
6	APT 06 FPF 06	6 mm	9.4	38	24	
	APT 06 FPF 10	10 mm	9.4	38	24	
9	APT 09 FPF 10	10 mm	13.5	45	24	
	APT 09 FPF 13	13 mm	13.5	48	28	
15	APT 15 FPF 16	16 mm	20	65	38	
	APT 15 FPF 19	19 mm	20	67	38	



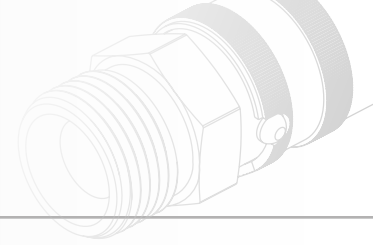
Conical male thread plug with valve Verschlussnippel mit Aussengewinde		Size		Ød	Ød1	L	L1	HEX
	6	APT 06 MRB 13	BSPT 1/4	9.4	29	12	14	
		APT 06 MRB 17	BSPT 3/8	9.4	29	12	17	
		APT 06 MTB 13	NPT 1/4	9.4	29	12	14	
		APT 06 MTB 17	NPT 3/8	9.4	29	12	17	
		APT 06 MKB 1415	M14x1.5	9.4	29	12	14	
	9	APT 09 MRB 13	BSPT 1/4	13.5	32	12	14	
		APT 09 MRB 17	BSPT 3/8	13.5	32	12	17	
		APT 09 MRB 21	BSPT 1/2	13.5	37	16	22	
		APT 09 MTB 13	NPT 1/4	13.5	32	12	14	
		APT 09 MTB 17	NPT 3/8	13.5	32	12	17	
APT 09 MTB 21		NPT 1/2	13.5	37	16	22		
APT 09 MKB 1415		M14x1.5	13.5	32	12	15		
15	APT 15 MRB 21	BSPT 1/2	20	46	12	22		
	APT 15 MRB 26	BSPT 3/4	20	46	16	27		
	APT 15 MTB 21	NPT 1/2	20	46	12	22		
	APT 15 MTB 26	NPT 3/4	20	46	16	27		

Cylindrical male thread plug innerhex Nippel mit Aussengewinde zylindrisch Innensechskant		Size		Ød	Ød1	L	L1	HEX
	6	APT 06 MRFH 10	BSPT 1/8	9.4	23	9	5	
		APT 06 MRFH 13	BSPT 1/4	9.4	23	13	5	
		APT 06 MKFH 1010	M10x1	9.4	23	9	5	
		APT 06 MKFH 1415	M14x1.5	9.4	25	9	5	
	9	APT 09 MRFH 13	BSPT 1/4	13.5	30	13	8	
		APT 09 MRFH 17	BSPT 3/8	13.5	30	13	8	
		APT 09 MRFH 21	BSPT 1/2	13.5	30	15	8	
		APT 09 MKFH 1415	M14x1.5	13.5	31	9	8	
		APT 09 MKFH 1615	M16x1.5	13.5	31	9	8	

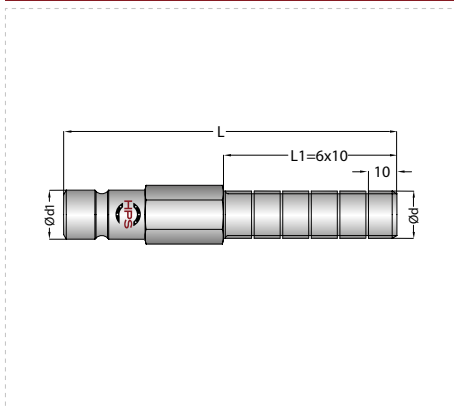
Size		$\varnothing d$	$\varnothing d1$	L	HEX	Plug with female thread Nippel mit Innengewinde
6	APT 06 MFF 10	BSP 1/8	9.4	25	13	
	APT 06 MFF 13	BSP 1/4	9.4	32	16	
	APT 06 MFF 17	BSP 3/8	9.4	32	19	
9	APT 09 MFF 13	BSP 1/4	13.5	27	16	
	APT 09 MFF 17	BSP 3/8	13.5	28	19	
	APT 09 MFF 21	BSP 1/2	13.5	30	24	

Size		$\varnothing d$	$\varnothing d1$	L	L1	L2	HEX	Conical male thread plug 90° Nippel mit Aussengewinde konisch 90°
6	APT 06 MRF 10-90	BSPT 1/8	9.4	27	9	20	11	
	APT 06 MRF 13-90	BSPT 1/4	9.4	34	11	22	15	
	APT 06 MRF 17-90	BSPT 3/8	9.4	34	11	22	17	
	APT 06 MTF 10-90	NPT 1/8	9.4	27	9	20	11	
	APT 06 MTF 14-90	NPT 1/4	9.4	34	11	22	15	
	APT 06 MTF 17-90	NPT 3/8	9.4	34	9	23	17	
	APT 06 MKF 1010-90	M10x1	9.4	27	11	20	11	
APT 06 MKF 1415-90	M14x1.5	9.4	34	11	22	15		
9	APT 09 MRF 13-90	BSPT 1/4	13.5	38	11	27	15	
	APT 09 MRF 17-90	BSPT 3/8	13.5	38	11	27	17	
	APT 09 MTF 13-90	NPT 1/4	13.5	38	11	27	15	
	APT 09 MKF 1415-90	M14x1.5	13.5	38	11	27	17	

Size		$\varnothing d$	$\varnothing d1$	L	L1	HEX	Extention plug without thread Verlängerungsnippel ohne Gewinde
6	APT 06 MEF 63	10	9.4	63	46	11	
	APT 06 MEF 100	10	9.4	100	83	11	
	APT 06 MEF 120	10	9.4	120	103	11	
	APT 06 MEF 240	10	9.4	240	223	11	
	APT 06 MEF 360	10	9.4	360	343	11	
9	APT 09 MEF 150	14	13.5	150	127	15	
	APT 09 MEF 300	14	13.5	300	127	15	
	APT 09 MEF 450	14	13.5	450	127	15	

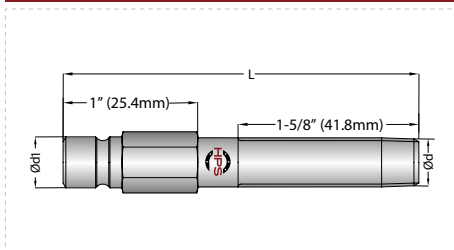


Male long thread plug
Nippel mit langem Aussengewinde



Size	Icon	Ød	Ød1	L	L1	HEX	
6		APT 06 MMFL 10x100	BSP 1/8	9.4	100	6x10	11
		APT 06 MMFL 13x100	BSP 1/4	9.4	100	6x10	14
		APT 06 MMFL 17x100	BSP 3/8	9.4	100	6x10	17
		APT 06 MMFL 1010x100	M10x1	9.4	100	6x10	11
		APT 06 MMFL 1415x100	M14x1.5	9.4	100	6x10	14
9		APT 09 MMFL 13x100	BSP 1/4	13.5	100	6x10	14
		APT 09 MMFL 17x100	BSP 3/8	13.5	100	6x10	17
		APT 09 MMFL 1415x100	M14x1.5	13.5	100	6x10	14
		APT 09 MMFL 1615x100	M16x1.5	13.5	100	6x10	17

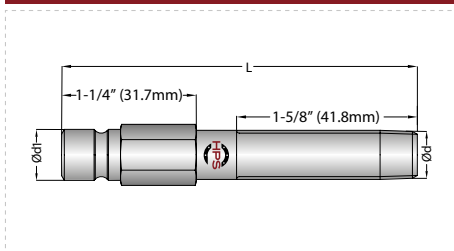
NPT long thread extension plug
Verlängerungsnippel mit langen NPT Aussengewinde



Size	Icon	Ød	Ød1	L	HEX	
6		APT 06 MTFS 10xL	NPT 1/8	9.4	*	11
		APT 06 MTFS 13xL	NPT 1/4	9.4	*	14

* L : Lenght (mm): 60 / 80 / 100 / 120 / 150 / 200

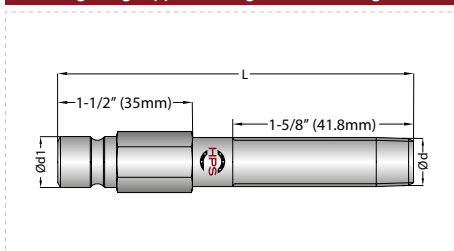
NPT long thread extension plug
Verlängerungsnippel mit langen NPT Aussengewinde



Size	Icon	Ød	Ød1	L	HEX	
9		APT 09 MTFS 13xL	NPT 1/4	13.5	*	14
		APT 09 MTFS 17xL	NPT 3/8	13.5	*	17

* L : Lenght (mm): 60 / 80 / 100 / 120 / 150 / 200

NPT long thread extension plug
Verlängerungsnippel mit langen NPT Aussengewinde



Size	Icon	Ød	Ød1	L	HEX	
15		APT 15 MTFS 17xL	NPT 3/8	20	*	21
		APT 15 MTFS 21xL	NPT 1/2	20	*	24

* L : Lenght (mm): 60 / 80 / 100 / 120 / 150 / 200

Size		Ød	Ød1	L	L1	L2	HEX
6	APT 06 MRF 10xL	BSPT 1/8	9.4	*	17	9	11
	APT 06 MRF 13xL	BSPT 1/4	9.4	*	17	12	14
	APT 06 MTF 10xL	NPT 1/8	9.4	*	19	9	11
	APT 06 MMF 1010xL	M10x1.0	9.4	*	19	9	11

Male thread extension plug
Nippelverlängerung mit Aussengewinde

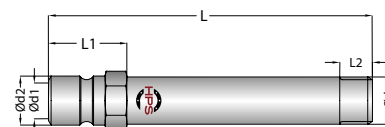
* L : Lenght (mm): 60 / 80 / 100 / 120 / 150 / 200

9	APT 09 MRF 13xL	BSPT 1/4	13.5	*	24	12	14
	APT 09 MRF 17xL	BSPT 3/8	13.5	*	24	12	17
	APT 09 MTF 13xL	BSP 1/4	13.5	*	24	9	14
	APT 09 MTF 17xL	BSP 3/8	13.5	*	24	9	17
	APT 09 MMF 1215xL	M12x1.5	13.5	*	25	9	14
	APT 09 MMF 1415xL	M14x1.5	13.5	*	24	9	15

* L : Lenght (mm): 60 / 80 / 100 / 120 / 150 / 200

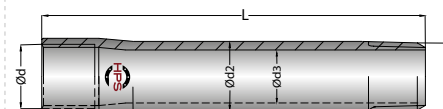
15	APT 15 MRF 17xL	BSPT 3/8	20	*	40	12	22
	APT 15 MRF 21xL	BSPT 1/2	20	*	40	12	22
	APT 15 MTF 17xL	NPT 3/8	20	*	40	12	22
	APT 15 MTF 21xL	NPT 1/2	20	*	40	12	22

* L : Lenght (mm): 60 / 80 / 100 / 120 / 150 / 200

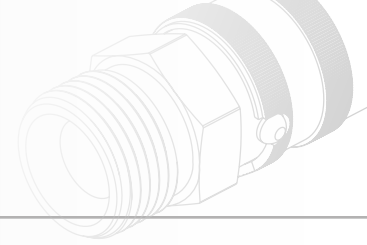


Size	BSP-BSPT	NPT-NPT	Ød	Ød1	Ød2	Ød3	L	INNER HEX
1/8"	MFE 10/10-50 ST	TNE 10/10-50 ST	1/8	1/8	10	6	50	5
	MFE 10/10-75 ST	TNE 10/10-75 ST	1/8	1/8	10	6	75	5
	MFE 10/10-100 ST	TNE 10/10-100 ST	1/8	1/8	10	6	100	5
	MFE 10/10-125 ST	TNE 10/10-125 ST	1/8	1/8	10	6	125	5
1/4"	MFE 13/13-50 ST	TNE 13/13-50 ST	1/4	1/4	14	9	50	8
	MFE 13/13-75 ST	TNE 13/13-75 ST	1/4	1/4	14	9	75	8
	MFE 13/13-100 ST	TNE 13/13-100 ST	1/4	1/4	14	9	100	8
	MFE 13/13-125 ST	TNE 13/13-125 ST	1/4	1/4	14	9	125	8
	MFE 13/13-150 ST	TNE 13/13-150 ST	1/4	1/4	14	9	150	8

Steel extension tube with female male thread
Stahl Verlängerungsrohr mit Innen- und Aussengewinde



BSP (Female) - BSPT (Male)
NPT (Female) - NPT (Male)



Steel extension tube with male thread Stahl Verlängerungsrohr mit Aussengewinde		Size	BSPT-BSPT	NPT-NPT	Ød	Ød1	Ød2	L
<p>! BSPT (Female) - BSPT (Male) NPT (Female) - NPT (Male)</p>	1/8"	RRE 10/10-50 ST	TTE 10/10-50 ST	1/8	10	6	50	
		RRE 10/10-100 ST	TTE 10/10-100 ST	1/8	10	6	100	
		RRE 10/10-150 ST	TTE 10/10-150 ST	1/8	10	6	150	
		RRE 10/10-200 ST	TTE 10/10-200 ST	1/8	10	6	200	
		RRE 10/10-250 ST	TTE 10/10-250 ST	1/8	10	6	250	
	1/4"	RRE 13/13-50 ST	TTE 13/13-50 ST	1/4	14	9	50	
		RRE 13/13-100 ST	TTE 13/13-100 ST	1/4	14	9	100	
		RRE 13/13-150 ST	TTE 13/13-150 ST	1/4	14	9	150	
		RRE 13/13-200 ST	TTE 13/13-200 ST	1/4	14	9	200	
		RRE 13/13-250 ST	TTE 13/13-250 ST	1/4	14	9	250	
	3/8"	RRE 17/17-50 ST	TTE 17/17-50 ST	3/8	17	12	50	
		RRE 17/17-100 ST	TTE 17/17-100 ST	3/8	17	12	100	
		RRE 17/17-150 ST	TTE 17/17-150 ST	3/8	17	12	150	
		RRE 17/17-200 ST	TTE 17/17-200 ST	3/8	17	12	200	
		RRE 17/17-250 ST	TTE 17/17-200 ST	3/8	17	12	250	
	1/2"	RRE 21/21-100 ST	TTE 21/21-100 ST	1/2	22	16	100	
		RRE 21/21-150 ST	TTE 21/21-150 ST	1/2	22	16	150	
		RRE 21/21-200 ST	TTE 21/21-200 ST	1/2	22	16	200	
		RRE 21/21-250 ST	TTE 21/21-200 ST	1/2	22	16	250	

Replacement seal set / Ersatz O-Ring Set		Size	Icon	Description	Material	Working Temp.
	6	SK APT 06 MN	Plug Seal Set	NBR - Nitrile	-15°C +100°C	
	9	SK APT 09 MN	Plug Seal Set	NBR - Nitrile	-15°C +100°C	
	15	SK APT 15 MN	Plug Seal Set	NBR - Nitrile	-15°C +100°C	
	6	SK APT 06 FN	Socket Seal Set	NBR - Nitrile	-15°C +100°C	
	9	SK APT 09 FN	Socket Seal Set	NBR - Nitrile	-15°C +100°C	
	15	SK APT 15 FN	Socket Seal Set	NBR - Nitrile	-15°C +100°C	
	6	SK APT 06 MV	Plug Seal Set	FPM - Viton	-20°C +200°C	
	9	SK APT 09 MV	Plug Seal Set	FPM - Viton	-20°C +200°C	
	15	SK APT 15 MV	Plug Seal Set	FPM - Viton	-20°C +200°C	
	6	SK APT 06 FV	Socket Seal Set	FPM - Viton	-20°C +200°C	
	9	SK APT 09 FV	Socket Seal Set	FPM - Viton	-20°C +200°C	
	15	SK APT 15 FV	Socket Seal Set	FPM - Viton	-20°C +200°C	





BFF
ISO 7241-1 SERIE



MONOCOUPPLINGS FOR

FLUIDS

BFF, the multi purpose quick coupling system for air, fluids and hydraulic applications
BFF, das universal Kupplungssystem für Luft-, Flüssigkeiten- und Hydraulik Anwendungen



Characteristics / Eigenschaften

- Optimized flow characteristics
- Ergonomic design
- Wide flow size range
- Available in stainless steel
- ISO profile
- Optimierter Durchfluss
- Ergonomisches Design
- Große Nennweiten
- In Edelstahl erhältlich
- ISO Profil

Safe and quick locking Schnelle und sichere Verriegelung

Depending on the size, the balls provide a reliable locking. The locking sleeve is ergonomic designed - thanks to this properties BFF series become a comfortable and safe quick connecting and disconnecting coupling system.

Je nach Größe sorgen die Kugeln für eine zuverlässige Verriegelung. Die Verriegelungshülse ist ergonomisch gestaltet. Dank diesen Eigenschaften wird die BFF-Serie zu einem komfortablen Schnellkupplungssystem und garantiert sicheres Ein- und Auskuppeln.



BFF
I S O B O B

SERIES BFF

MULTI PURPOSE

-- ISO 7241-1 SERIE B --

OPTIONS / OPTIONEN

- Stainless Steel - Edelstahl
- High Temperature - Hochtemperatur Dichtung

USING AREAS / EINSATZBEREICHE

- On thermo regulation - Temperierung
- Injection moulding - Kunststoffindustrie industries

Materials

Body Socket	Brass chrome plated
Body Plug	AISI 420 hardened
Sleeve	Brass chrome plated
Valve	-
Locking Ring	Stainless steel
Spring	Stainless steel
Balls	Stainless steel
Seals	Nitrile (N)

Materialien

Kupplungskörper	Messing verchromt
Stecker	AISI 420 gehärtet
Hülse	Messing verchromt
Ventil	-
Sprengring	Edelstahl
Feder	Edelstahl
Kugeln	Edelstahl
Dichtungen	



Temperature range / Temperaturbereich

Nitril (NBR)	N	- 15 °C +100 °C
Fluor Carbon (FPM)	V	- 20 °C +180 °C
Ethylene Propylene	EPDM	- 40 °C +150 °C

Make sure no medium flows before disconnecting / Stellen Sie vor dem Trennen sicher, dass kein Medium fließt



Flow Size
Nennweiten mm

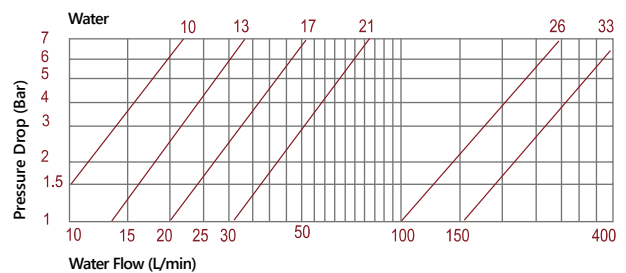
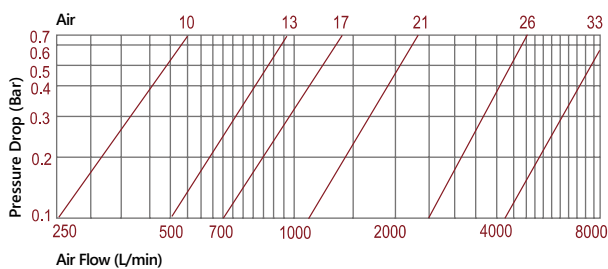


Pressure
Druck bar

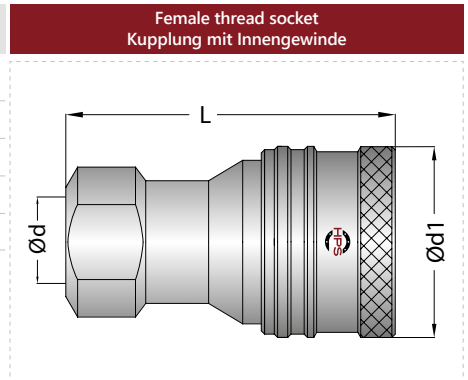
See table page 24
Siehe Tabelle Seite 24



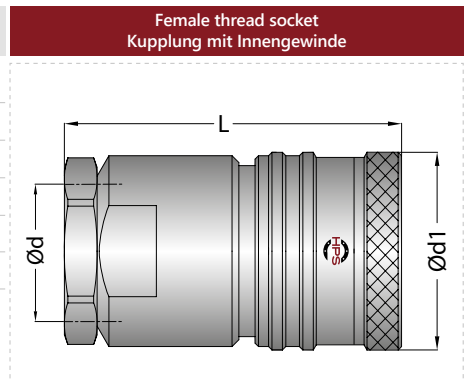
HPS Serie BFF Flow Rate vs Pressure Drop Graph



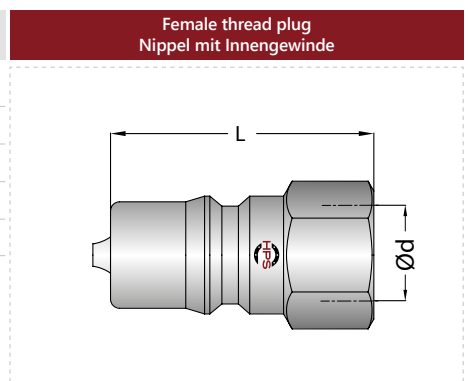
Size	With Valve / Mit Ventil	Without Valve / Ohne Ventil	Ød	Ød1	L	HEX
4	BFF 04 FFB 10	BFF 04 FFF 10	BSP 1/8	25	49	14
8	BFF 08 FFB 13	BFF 08 FFF 13	BSP 1/4	29	58	19
10	BFF 10 FFB 17	BFF 10 FFF 17	BSP 3/8	35	64	22
13	BFF 13 FFB 21	BFF 13 FFF 21	BSP 1/2	44	74	27
16	BFF 16 FFB 26	BFF 16 FFF 26	BSP 3/4	53	94	36
19	BFF 19 FFB 33	BFF 19 FFF 33	BSP 1	60	106	41

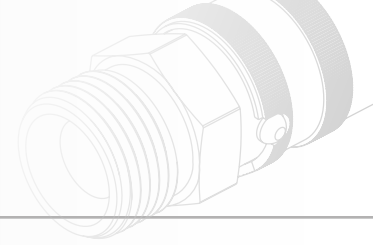


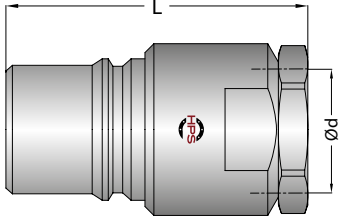
Size	With Valve / Mit Ventil	Without Valve / Ohne Ventil	Ød	Ød1	L	HEX
32	BFF 32 FFB 33	BFF 32 FFF 33	BSP 1	70	114	60
32	BFF 32 FFB 42	BFF 32 FFF 42	BSP 1-1/4	70	114	60
32	BFF 32 FFB 48	BFF 32 FFF 48	BSP 1-1/2	70	114	60
38	BFF 38 FFB 42	BFF 38 FFF 42	BSP 1-1/4	75	126	65
38	BFF 38 FFB 48	BFF 38 FFF 48	BSP 1-1/2	75	126	65
50	BFF 50 FFB 60	BFF 50 FFF 60	BSP 2	105	142	90
50	BFF 50 FFB 75	BFF 50 FFF 75	BSP 2-1/2	110	167	100



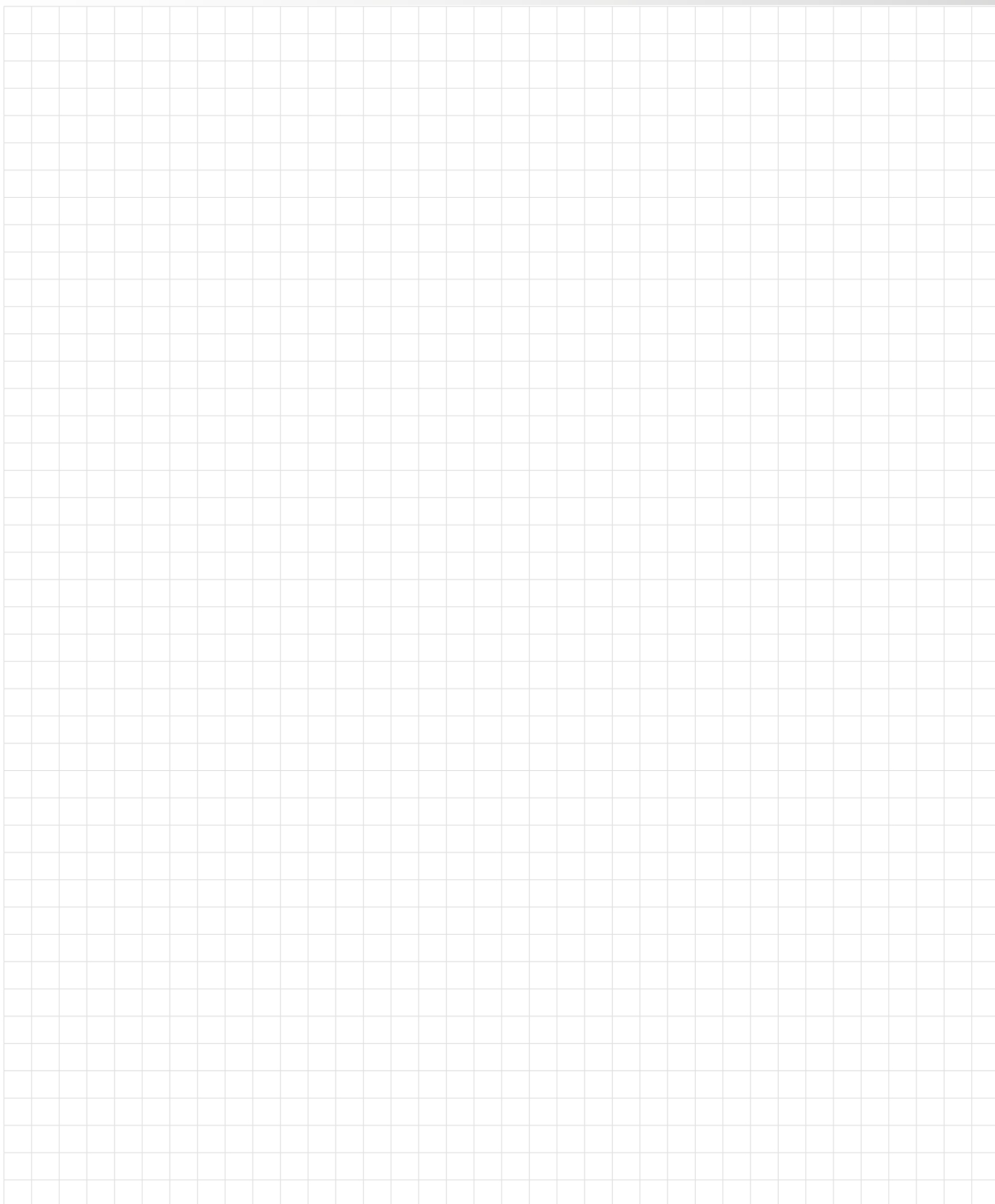
Size	With Valve / Mit Ventil	Without Valve / Ohne Ventil	Ød	L	HEX
4	BFF 04 MFB 10	BFF 04 MFF 10	BSP 1/8	30	14
8	BFF 08 MFB 13	BFF 08 MFF 13	BSP 1/4	35	19
10	BFF 10 MFB 17	BFF 10 MFF 17	BSP 3/8	39	22
13	BFF 13 MFB 21	BFF 13 MFF 21	BSP 1/2	36	27
16	BFF 16 MFB 26	BFF 16 MFF 26	BSP 3/4	60	36
19	BFF 19 MFB 33	BFF 19 MFF 33	BSP 1	65	41





Female thread plug Nippel mit Innengewinde		Size	With Valve / Mit Ventil	Without Valve / Ohne Ventil	Ød	L	HEX
		32	BFF 32 MFB 33	BFF 32 MFF 33	BSP 1	114	60
		32	BFF 32 MFB 42	BFF 32 MFF 42	BSP 1-1/4	114	60
		32	BFF 32 MFB 48	BFF 32 MFF 48	BSP 1-1/2	114	60
		38	BFF 38 MFB 42	BFF 38 MFF 42	BSP 1-1/4	126	65
		38	BFF 38 MFB 48	BFF 38 MFF 48	BSP 1-1/2	126	65
		50	BFF 50 MFB 60	BFF 50 MFF 60	BSP 2	142	90
		50	BFF 50 MFB 75	BFF 50 MFF 75	BSP 2-1/2	167	100

Technical Specifications			Working Pressure / Betriebsdruck				
Size	Brass - Messing		Steel - Stahl		Stainless steel - Edelstahl (AISI 303 / AISI 316)		
	Bar	PSI	Bar	PSI	Bar	PSI	
BFF 04	BSP 1/8	210	3045	300	4350	300	4350
BFF 08	BSP 1/4	185	2685	300	4350	300	4350
BFF 10	BSP 3/8	150	2200	280	4050	280	4050
BFF 13	BSP 1/2	160	2320	280	4050	280	4050
BFF 16	BSP 3/4	138	2000	250	3625	250	3625
BFF 19	BSP 1	105	1500	230	3350	230	3350
BFF 32	BSP 1-1/4	85	1250	120	1750	120	1750
BFF 38	BSP 1-1/2	105	1500	150	2175	150	2175
BFF 50	BSP 2	50	725	104	4200	104	4200



NOTES



CPF
Full Flow



MONOCOUPPLINGS FOR

FLUIDS

CPF, the free flow quick coupling system for low pressure applications and all media
CPF, das Kupplungssystem mit freiem Durchfluss für Niederdruckanwendungen und alle Medien

Characteristics / Eigenschaften

- Optimized flow characteristics
- One-hand connection
- Compact and Ergonomic design
- Wide flow size range
- Available in stainless steel
- Chrome plated surface
- Optimierter Durchfluss
- Einhandbedienung
- Kompaktes und ergonomisches Design
- Große Nennweiten
- In Edelstahl erhältlich
- Verchromte Oberfläche



Safe and quick locking Schnelle und sichere Verriegelung

The stainless steel balls provide a reliable locking. The locking sleeve is ergonomic designed - thanks to this properties CPF series become a comfortable and safe quick connecting and disconnecting coupling system.

Die Edelstahl Kugeln sorgen für eine zuverlässige Verriegelung. Die Verriegelungshülse ist ergonomisch gestaltet. Dank diesen Eigenschaften wird die CPF-Serie zu einem komfortablen Schnellkupplungssystem und garantiert sicheres Ein- und Auskuppeln.

Chrome plated surface / Verchromte Oberfläche

The chrome-plated nipple body made of AISI 420 is very durable and robust.

Der aus AISI 420 gefertigte und verchromte Nippelkörper ist sehr widerstandsfähig und robust.



HIGH CPF FLOW

CPF

FULL FLOW

-- PROFILE CPF --

Options / Optionen

- Color coding / Farbkodierung R / B
- Stainless Steel / Edelstahl VA

Using areas / Einsatzbereiche

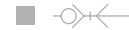
- Testing units / Prüfstände
- Injection moulding / Kunststoffindustrie

Materials

Body Socket	Brass chrome plated
Body Plug	AISI 420 hardened
Sleeve	Brass chrome plated
Valve	-
Locking Ring	Stainless steel
Spring	Stainless steel
Balls	Stainless steel
Seals	Nitrile (N)

Materialien

Kupplungskörper	Messing verchromt
Stecker	AISI 420 gehärtet
Hülse	Messing verchromt
Ventil	-
Sprengring	Edelstahl
Feder	Edelstahl
Kugeln	Edelstahl
Dichtungen	Nitril (N)



Temperature range / Temperaturbereich

Nitril (NBR)	N	- 15 °C +100 °C
Fluor Carbon (FPM)	V	- 20 °C +180 °C

Make sure no medium flows before disconnecting / Stellen Sie vor dem Trennen sicher, dass kein Medium fließt

CPF 25 CPF 33 CPF 42



Flow Size
Nennweiten mm

25 33 42

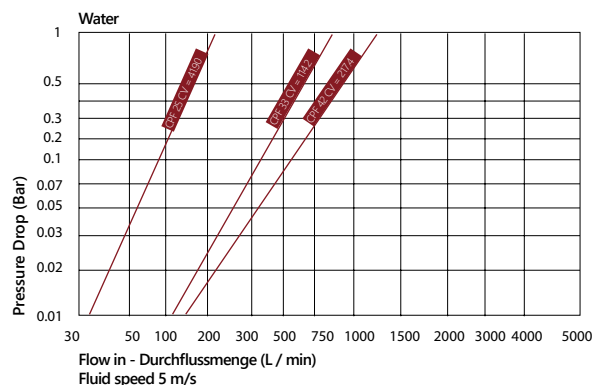


Pressure
Druck bar

10 10 10



HPS Serie CPF Flow Rate vs Pressure Drop Graph / Durchflussrate vs Druckabfall



Size		Ød	Ød1	L1	HEX
25	CPF 25 FFF 33	BSP 1	54	57	41
33	CPF 33 FFF 42	BSP 1-1/4	65	62	50
42	CPF 42 FFF 48	BSP 1-1/2	78	66	60

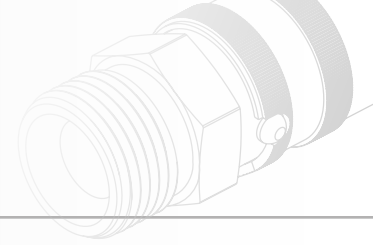
Cylindrical female thread socket
Kupplung mit Innengewinde zylindrisch

Size		Ød	Ød1	L	L1	HEX
25	CPF 25 FMF 33	BSP 1	54	84	19	41
33	CPF 33 FMF 42	BSP 1-1/4	65	91	19	50
42	CPF 42 FMF 48	BSP 1-1/2	78	98	20	60

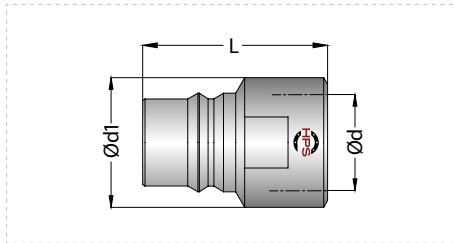
Cylindrical male thread socket
Kupplung mit Ausengewinde zylindrisch

Size		Ød	Ød1	L	L1	HEX
25	CPF 25 FHF 25	25 mm	54	117	50	41
25	CPF 25 FHF 32	32 mm	54	117	50	41
33	CPF 33 FHF 32	32 mm	65	122	50	50
33	CPF 33 FHF 38	38 mm	65	122	50	50
42	CPF 42 FHF 44	44 mm	78	126	50	60

Standard hose tail socket
Kupplung mit gerader Standard - Schlauchtülle

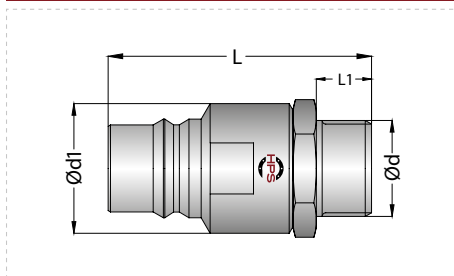


Cylindrical female thread plug
Nippel mit Innengewinde zylindrisch



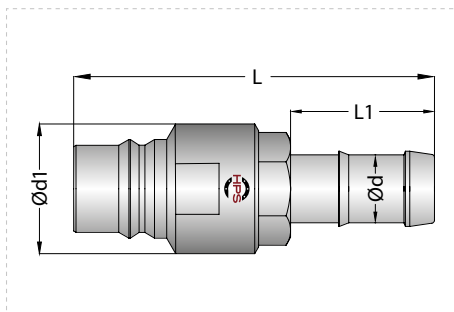
Size	Icon	Ød	Ød1	L1	HEX
25	CPF 25 MFF 33	BSP 1	45	61	41
33	CPF 33 MFF 42	BSP 1-1/4	55	66	50
42	CPF 42 MFF 48	BSP 1-1/2	65	74	60

Cylindrical male thread plug
Nippel mit Ausengewinde zylindrisch

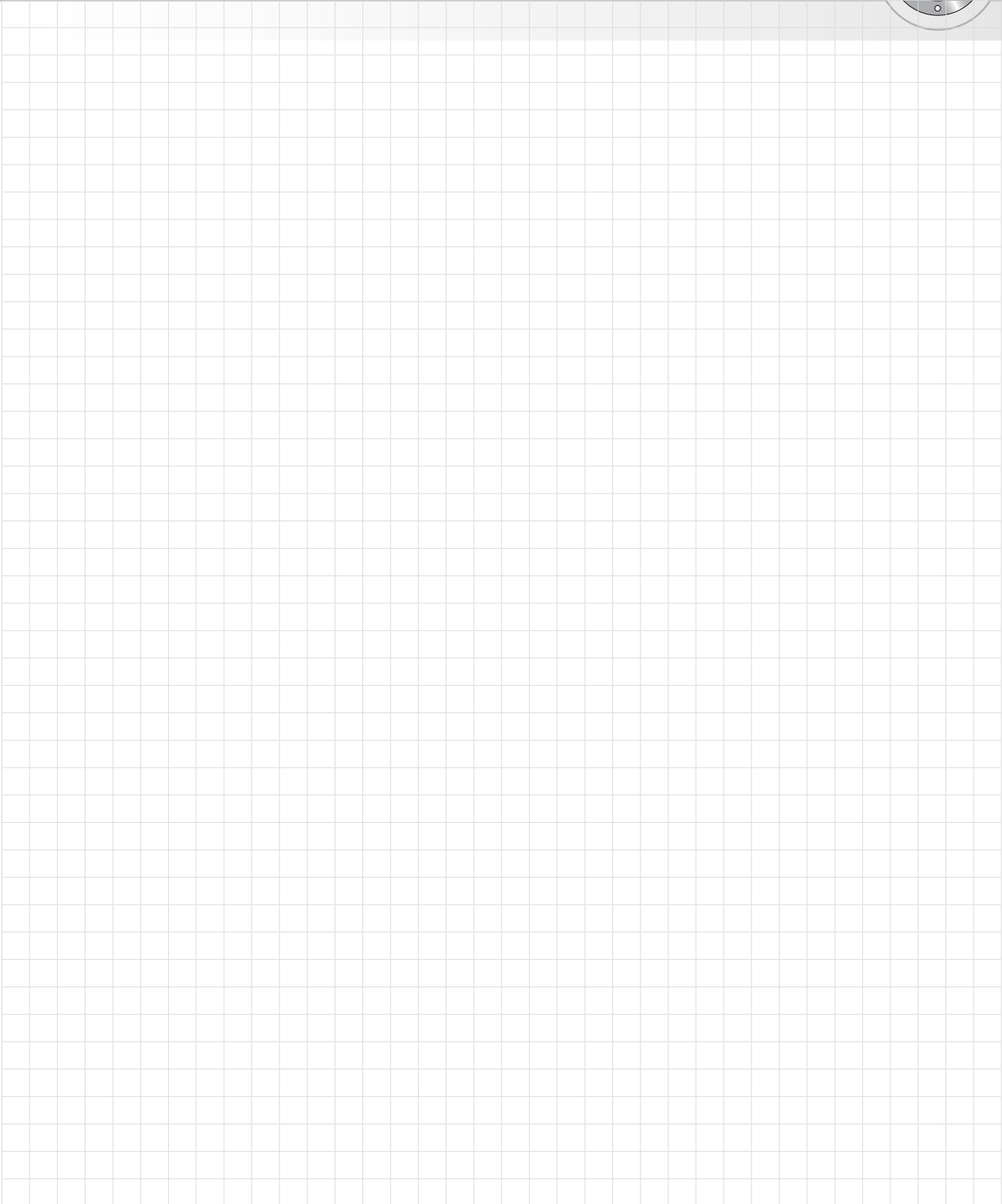


Size	Icon	Ød	Ød1	L	L1	HEX
25	CPF 25 MMF 33	BSP 1	45	88	19	41
33	CPF 33 MMF 42	BSP 1-1/4	55	95	19	50
42	CPF 42 MMF 48	BSP 1-1/2	65	106	20	60

Standard hose tail plug
Nippel mit gerader Standard - Schlauchtülle



Size	Icon	Ød	Ød1	L	L1	HEX
25	CPF 25 MHF 25	25 mm	54	120	50	41
25	CPF 25 MHF 32	32 mm	54	120	50	41
33	CPF 33 MHF 32	32 mm	55	125	50	50
33	CPF 33 MHF 38	38 mm	55	125	50	50
42	CPF 42 MHF 44	44 mm	65	130	50	60



NOTES



EPT
European Standard Profile For Cooling



MONOCOUPPLINGS FOR

FLUIDS

EPT, the european standard quick coupling system for low pressure applications and all media
 EPT, das Europrofil Kupplungssystem für Niederdruckanwendungen und alle Medien

Characteristics / Eigenschaften

- One-hand connection
- High quality materials
- Compact and Ergonomic design
- Available in stainless steel
- Available as Multicoupling
- Einhandbedienung
- Hochwertige Materialien
- Kompaktes und ergonomisches Design
- In Edelstahl erhältlich
- Als Multikupplung erhältlich



High temperature option "HT" / Hochtemperatur Option "HT"

The HT option contain a high performance sealing with was developed for special requirements of high temperature applications.
 Heat resistance up to 220° - Heatingoil: 220°C and Water: 180°C.

Die HT-Option enthält eine Hochleistungsdichtung, welche für die besonderen Anforderungen von Hochtemperaturanwendungen entwickelt wurde.
 Hitzebeständig bis 220°C - Wärmeträgeröl: 220°C und Heisswasser: 180°C.

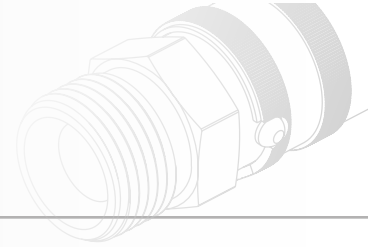
Disconnecting lock / Entkupplungssperre

All couplings are available with the "disconnecting lock" safety feature which prevents the coupling system from unintentionally disconnecting.

Alle Kupplungen sind mit dem Sicherheitsmerkmal "Entkupplungs-Sperre" erhältlich welches das ungewollte Entkoppeln des Kupplungssystems verhindert.



EPT
 COOLING STANDARD



EPT

TEMPERATURE REGULATION

-- PROFILE EUROPE --

Options / Optionen

- Color coding / Farbkodierung **R / B**
- Stainless Steel / Edelstahl **VA**
- Safety locking / Sicherheitsverriegelung **S**
- High Temperature / Hochtemperatur Dichtung **HT**

Using areas / Einsatzbereiche

- Cooling heating / Temperierung
- Injection moulding / Kunststoffindustrie

Materials

Body Socket	Brass
Body Plug	Brass
Sleeve	Brass
Valve	Brass
Locking Ring	Stainless steel
Spring	Stainless steel
Balls	Stainless steel
Seals	Viton (V)

Materialien

Kupplungskörper	Messing
Stecker	Messing
Hülse	Messing
Ventil	Messing
Sprengring	Edelstahl
Feder	Edelstahl
Kugeln	Edelstahl
Dichtungen	Viton (V)



Temperature range / Temperaturbereich

Nitril (NBR)	N	- 15 °C +100 °C
Fluor Carbon (FPM)	V	- 20 °C +160 °C (Water / Wasser) -20 °C +200 °C (Heating Oil / Wärmeträgeröl)
High performance Fluor Carbon (FPM)	HT	- 20 °C +180 °C (Water / Wasser) -20 °C +220 °C (Heating Oil / Wärmeträgeröl)

Always make sure no medium flows before disconnecting / Stellen Sie immer vor dem Trennen sicher, dass kein Medium fließt

EPT 06 EPT 09 EPT 13

	Flow Size Nennweiten mm
--	----------------------------

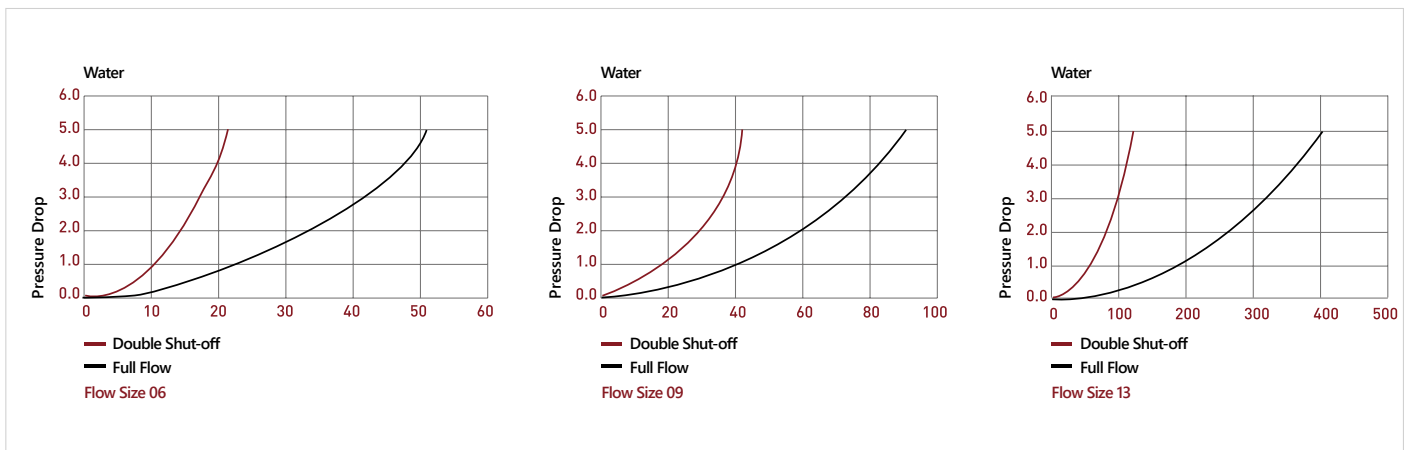
6	9	13
---	---	----

	Pressure Druck bar
--	-----------------------

10	15	15
----	----	----



HPS Serie EPT Flow Rate & Pressure Drop Graph / Durchfluss- und Druckabfalldiagramm



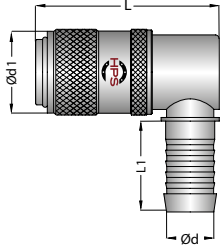
Size			Ød	Ød1	L	L1	Standard hose tail socket Kupplung mit gerader Standard - Schlauchtülle
6	EPT 06 FHB 06	EPT 06 FHF 06	06	18	49	20	
	EPT 06 FHB 09	EPT 06 FHF 09	09	18	49	20	
	EPT 06 FHB 13	EPT 06 FHF 13	13	18	49	20	
9	EPT 09 FHB 09	EPT 09 FHF 09	09	23	59	23	
	EPT 09 FHB 13	EPT 09 FHF 13	13	23	59	25	
13	EPT 13 FHB 16	EPT 13 FHF 16	16	32	90	32	
	EPT 13 FHB 19	EPT 13 FHF 19	19	32	90	32	

Size			Ød	Ød1	L	L1	Clampless hose tail socket Kupplung mit gerader Schnellsteck - Schlauchtülle
6	EPT 06 FPB 06	EPT 06 FPF 06	06	18	55	24	
	EPT 06 FPB 10	EPT 06 FPF 10	10	18	55	24	
	EPT 06 FPB 13	EPT 06 FPF 13	13	18	58	28	
9	EPT 09 FPB 10	EPT 09 FPF 10	10	23	60	28	
	EPT 09 FPB 13	EPT 09 FPF 13	13	23	64	28	
13	EPT 13 FPB 16	EPT 13 FPF 16	16	32	97	38	
	EPT 13 FPB 19	EPT 13 FPF 19	19	32	97	38	

Size			Ød	Ød1	L	L1	Standard hose tail socket 45° Kupplung mit 45° Standard - Schlauchtülle
6	EPT 06 FHB 06-45	EPT 06 FHF 06-45	06	18	42	19	
	EPT 06 FHB 09-45	EPT 06 FHF 09-45	09	18	42	19	
	EPT 06 FHB 13-45	EPT 06 FHF 13-45	13	18	42	19	
9	EPT 09 FHB 09-45	EPT 09 FHF 09-45	09	23	52	24	
	EPT 09 FHB 13-45	EPT 09 FHF 13-45	13	23	52	26	
13	EPT 13 FHB 16-45	EPT 13 FHF 16-45	16	32	82	34	
	EPT 13 FHB 19-45	EPT 13 FHF 19-45	19	32	82	34	

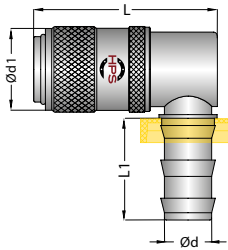
Size			Ød	Ød1	L	L1	Clampless hose tail socket 45° Kupplung mit 45° Schnellsteck - Schlauchtülle
6	EPT 06 FPB 06-45	EPT 06 FPF 06-45	06	18	41	24	
	EPT 06 FPB 10-45	EPT 06 FPF 10-45	10	18	41	24	
	EPT 06 FPB 13-45	EPT 06 FPF 13-45	13	18	41	28	
9	EPT 09 FPB 10-45	EPT 09 FPF 10-45	10	23	52	24	
	EPT 09 FPB 13-45	EPT 09 FPF 13-45	13	23	52	28	
13	EPT 13 FPB 16-45	EPT 13 FPF 16-45	16	32	88	38	
	EPT 13 FPB 19-45	EPT 13 FPF 19-45	19	32	88	38	

**Standard hose tail socket 90°
Kupplung mit 90° Standard - Schlauchtülle**



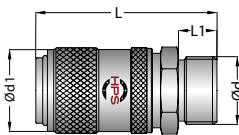
Size			Ød	Ød1	L	L1
6	EPT 06 FHB 06-90	EPT 06 FHF 06-90	06	18	41	21
	EPT 06 FHB 09-90	EPT 06 FHF 09-90	09	18	41	21
	EPT 06 FHB 13-90	EPT 06 FHF 13-90	13	18	41	23
9	EPT 09 FHB 09-90	EPT 09 FHF 09-90	09	23	52	24
	EPT 09 FHB 13-90	EPT 09 FHF 13-90	13	23	52	26
13	EPT 13 FHB 16-90	EPT 13 FHF 16-90	16	32	88	33
	EPT 13 FHB 19-90	EPT 13 FHF 19-90	19	32	88	34

**Clampless hose tail socket 90°
Kupplung mit 90° Schnellsteck - Schlauchtülle**



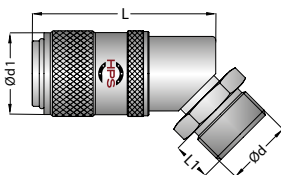
Size			Ød	Ød1	L	L1
6	EPT 06 FPB 06-90	EPT 06 FPF 06-90	06	18	41	24
	EPT 06 FPB 10-90	EPT 06 FPF 10-90	10	18	41	24
	EPT 06 FPB 13-90	EPT 06 FPF 13-90	13	18	41	28
9	EPT 09 FPB 10-90	EPT 09 FPF 10-90	10	23	52	24
	EPT 09 FPB 13-90	EPT 09 FPF 13-90	13	23	52	28
13	EPT 13 FPB 16-90	EPT 13 FPF 16-90	16	32	88	38
	EPT 13 FPB 19-90	EPT 13 FPF 19-90	19	32	88	38

**Cylindrical male thread socket
Kupplung mit Aussengewinde zylindrisch**



Size			Ød	Ød1	L	L1	HEX
6	EPT 06 FMB 13	EPT 06 FMF 13	BSP 1/4	18	47	11	17
	EPT 06 FMB 17	EPT 06 FMF 17	BSP 3/8	18	47	11	19
	EPT 06 FMB 1415	EPT 06 FMF 1415	M14x1.5	18	47	11	17
	EPT 06 FMB 1615	EPT 06 FMF 1615	M16x1.5	18	48	11	19
9	EPT 09 FMB 13	EPT 09 FMF 13	BSP 1/4	23	52	11	21
	EPT 09 FMB 17	EPT 09 FMF 17	BSP 3/8	23	52	11	21
	EPT 09 FMB 21	EPT 09 FMF 21	BSP 1/2	23	52	14	22
13	EPT 09 FMB 1615	EPT 09 FMF 1615	M16x1.5	23	52	11	21
	EPT 13 FMB 21	EPT 13 FMF 21	BSP 1/2	32	75	14	30
	EPT 13 FMB 26	EPT 13 FMF 26	BSP 3/4	32	77	16	30
	EPT 13 FMB 2415	EPT 13 FMF 2415	M24x1.5	32	77	16	30

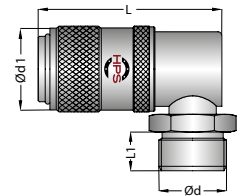
**Cylindrical male thread socket 45°
Kupplung mit 45° Aussengewinde zylindrisch**



Size			ØD	ØD1	L	L1	HEX
6	EPT 06 FMB 13-45	EPT 06 FMF 13-45	BSP 1/4	18	43	11	14
	EPT 06 FMB 17-45	EPT 06 FMF 17-45	BSP 3/8	18	43	11	17
	EPT 06 FMB 1415-45	EPT 06 FMF 1415-45	M14x1.5	18	43	11	17
	EPT 06 FMB 1615-45	EPT 06 FMF 1615-45	M16x1.5	18	43	11	17
9	EPT 09 FMB 17-45	EPT 09 FMF 17-45	BSP 3/8	23	52	11	17
	EPT 09 FMB 1615-45	EPT 09 FMF 1615-45	M16x1.5	23	52	11	17
13	EPT 13 FMB 2415-45	EPT 13 FMF 2415-45	M24x1.5	32	88	16	24

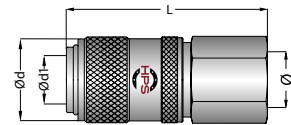
Size			Ød	Ød1	L	L1	HEX
6	EPT 06 FMB 13-90	EPT 06 FMF 13-90	BSP 1/4	18	43	11	14
	EPT 06 FMB 17-90	EPT 06 FMF 17-90	BSP 3/8	18	43	11	17
	EPT 06 FMB 1415-90	EPT 06 FMF 1415-90	M14x1.5	18	43	11	17
	EPT 06 FMB 1615-90	EPT 06 FMF 1615-90	M16x1.5	18	43	11	17
9	EPT 09 FMB 17-90	EPT 09 FMF 17-90	BSP 3/8	23	52	11	17
	EPT 09 FMB 1615-90	EPT 09 FMF 1615-90	M16x1.5	23	52	11	17
13	EPT 13 FMB 2415-90	EPT 13 FMF 2415-90	M24x1.5	32	88	16	24

Cylindrical male thread socket 90°
Kupplung mit 90° Aussengewinde zylindrisch



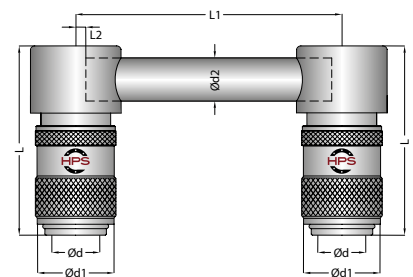
Size			Ød	Ød1	L	HEX
6	EPT 06 FFB 13	EPT 06 FFF 13	BSP 1/4	18	47	17
	EPT 06 FFB 17	EPT 06 FFF 17	BSP 3/8	18	47	19
	EPT 06 FFB 1415	EPT 06 FFF 1415	M14x1.5	18	47	17
9	EPT 09 FFB 13	EPT 09 FFF 13	BSP 1/4	32	48	21
	EPT 09 FFB 17	EPT 09 FFF 17	BSP 3/8	32	48	21
	EPT 09 FFB 21	EPT 09 FFF 21	BSP 1/2	32	51	24
13	EPT 09 FFB 1615	EPT 09 FFF 1615	M16x1.5	32	28	21
	EPT 13 FFB 26	EPT 13 FFF 26	BSP 3/4	32	77	30

Cylindrical female thread socket
Kupplung mit Innengewinde zylindrisch



Size		Without Valve / Ohne Ventil	Ød	Ød1	Ød2	L	L1	L2
6		EPT 06 FCF 125	6	18	8x1	44	125	2
		EPT 06 FCF 250	6	18	8x1	44	250	2
		EPT 06 FCF 500	6	18	8x1	44	500	2
9		EPT 09 FCF 125	9	23	10x1	52	125	2
		EPT 09 FCF 250	9	23	10x1	52	250	2
		EPT 09 FCF 500	9	23	10x1	52	500	2
13		EPT 13 FCF 160	13	32	14x1	80	160	3
		EPT 13 FCF 315	13	32	14x1	80	315	3
		EPT 13 FCF 500	13	32	14x1	80	500	3

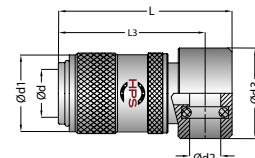
Diverting sockets / Umlenkkuplung



Includes 2 sockets and pipe / Beinhaltet 2 Kupplungen und das Verbindungsrohr

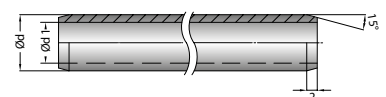
Size		Without Valve / Ohne Ventil	Ød	Ød1	Ød2	Ød3	L	L3
6		EPT 06 FCF	9	18	8x1	20	44	37
9		EPT 09 FCF	13	23	10x1	26	52	43
13		EPT 13 FCF	19	32	14x1	36	80	65

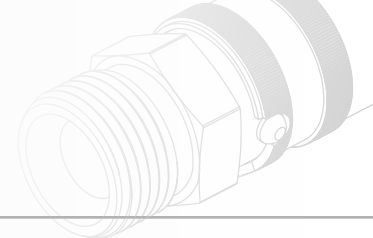
Diverting sockets / Umlenkkuplung



Size	Brass Tube Messing Rohr	Ød	Ød1	Length / Länge
6	EPT 0810x1000	8	6	1000 mm
9	EPT 1010x1000	10	8	1000 mm
13	EPT 1410x1000	14	12	1000 mm

Pipe / Verbindungsrohr







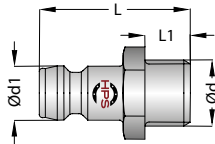
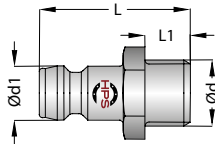
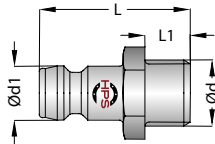
Cylindrical male thread socket short version Kupplung mit Aussengewinde zylindr. kurze Version		Size	With Valve / Mit Ventil	Ød	Ød1	L	L1	HEX
	6	EPT 06 FMB 13x38	BSP 1/4	18	38	9	17	
	9	EPT 09 FMB 17x38	BSP 3/8	23	38	9	21	

Adapting Socket with plug / Adapterkupplung mit Nippel		Size			Ød	Ød1	Ød2	Ød3	L	max.flow
	6	EPT 06 FXB EPT 06	EPT 06 FXF EPT 06	6	9	18	9	46	6	
	6	EPT 06 FXB EPT 09	EPT 06 FXF EPT 09	9	13	18	9	46	9	
	9	EPT 09 FXB EPT 06	EPT 09 FXF EPT 06	6	9	23	13	50.3	6	
	9	EPT 09 FXB EPT 09	EPT 09 FXF EPT 09	9	13	23	13	50.3	9	
	6	EPT 06 FXB APT 06	EPT 06 FXF APT 06	6	9.5	18	9	43	6	
	6	EPT 06 FXB APT 09	EPT 06 FXF APT 09	9	13.5	18	9	45	9	
	9	EPT 09 FXB APT 06	EPT 09 FXF APT 06	6	9.5	23	13	52	6	
	9	EPT 09 FXB APT 09	EPT 09 FXF APT 09	9	13.5	23	13	52	9	

Blind Socket / Blindkupplung		Size	Order No / Bestellnr.	Ød	L
	6	EPT 06 FB	18	34	
	9	EPT 09 FB	23	40	
	13	EPT 13 FB	32	58	

Blind Plug / Blindnippel		Size	Order No / Bestellnr.	Ød	L
	6	EPT 06 MB	9	29	
	9	EPT 09 MB	13	31	
	13	EPT 13 MB	19	51	

Adapting Plug / Adapternippel		Size		Ød	Ød1	L
	6	EPT 06 MXM EPT 06	9	9	34	
	6	EPT 06 MXM EPT 09	9	13	38	
	9	EPT 09 MXM EPT 09	13	13	40	
	9	EPT 09 MXM APT 06	13	9.5	38	
	9	EPT 09 MXM APT 09	13	13.5	40	

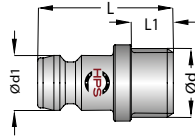
Size	 	ØD	Ød1	L	L1	HEX	Male thread plug / Nippel mit Aussengewinde
6	EPT 06 MMF 10	BSP 1/8	9	24	7	11	
	EPT 06 MMF 13	BSP 1/4	9	26	9	14	
	EPT 06 MMF 17	BSP 3/8	9	26	9	17	
	EPT 06 MMF 1010	M10x1	9	24	7	11	
	EPT 06 MMF 1015	M10x1.5	9	25	8	11	
	EPT 06 MMF 1215	M12x1.5	9	27	9	17	
	EPT 06 MMF 12175	M12x1.75	9	27	9	14	
	EPT 06 MMF 1415	M14x1.5	9	26	9	15	
	EPT 06 MMF 1615	M16x1.5	9	26	9	17	
	EPT 06 MRF 10	BSPT 1/8	9	26	9	11	
	EPT 06 MRF 13	BSPT 1/4	9	30	12	14	
	EPT 06 MRF 17	BSPT 3/8	9	30	13	17	
9	EPT 09 MMF 10	BSP 1/8	13.5	24	7	14	
	EPT 09 MMF 13	BSP 1/4	13.5	26	9	14	
	EPT 09 MMF 17	BSP 3/8	13.5	26	9	17	
	EPT 09 MMF 21	BSP 1/2	13.5	30	12	21	
	EPT 09 MMF 1010	M10x1.0	13.5	24	7	14	
	EPT 09 MMF 1015	M10x1.5	13.5	26	9	14	
	EPT 09 MMF 12175	M12x1.75	13.5	29	9	14	
	EPT 09 MMF 1415	M14x1.5	13.5	26	9	15	
	EPT 09 MMF 1615	M16x1.5	13.5	26	9	17	
	EPT 09 MRF 13	BSPT 1/4	13.5	31	12	14	
	EPT 09 MRF 17	BSPT 3/8	13.5	31	13	17	
	EPT 09 MRF 21	BSPT 1/2	13.5	36	16	22	
EPT 09 MRF 26	BSPT 3/4	13.5	40	18	27		
13	EPT 13 MMF 21	BSP 1/2 BSP	19	47	12	22	
	EPT 13 MMF 26	3/4	19	51	16	27	
	EPT 13 MMF 33	BSP 1	19	53	17	35	
	EPT 13 MMF 2415	M24x1.5	19	51	16	27	

Size	 	Ød	Ød1	L	L1	Standard hose tail plug Nippel mit gerader Standard - Schlauchtülle
6	EPT 06 MHF 06	6 mm	9	37	19	
	EPT 06 MHF 09	9 mm	9	37	19	
	EPT 06 MHF 13	13 mm	9	43	25	
9	EPT 09 MHF 09	9 mm	13.5	40	24	
	EPT 09 MHF 13	13 mm	13.5	41	24	
13	EPT 13 MHF 16	16 mm	19	54	24	
	EPT 13 MHF 19	19 mm	19	61	32	

Cylindrical male thread plug inner hex. / Nippel mit Aussengewinde zylindrisch Innensechskant

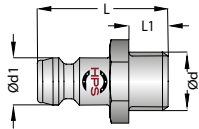


Inner HEX



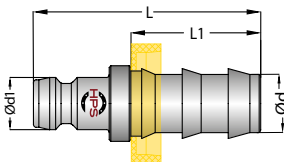
Size	Icon	Ød	Ød1	L	L1	HEX	
6		EPT 06 MMFH 10	BSP 1/8	9	24	7	5
		EPT 06 MMFH 13	BSP 1/4	9	27	9	5
		EPT 06 MMFH 0875	M8x075	9	24	8	5
		EPT 06 MMFH 1010	M10x1	9	24	8	5
		EPT 06 MMFH 1415	M14x1.5	9	27	9	5
9		EPT 09 MMFH 10	BSP 1/8	13.5	24	7	7
		EPT 09 MMFH 13	BSP 1/4	13.5	26	9	7
		EPT 09 MMFH 17	BSP 3/8	13.5	26	9	7
		EPT 09 MMFH 1010	M10x1.5	13.5	26	9	7
		EPT 09 MMFH 12175	M12x1.75	13.5	26	9	7
		EPT 09 MMFH 1415	M14x1.5	13.5	26	9	7

Cylindrical male thread plug with valve. Verschlussnippel mit Aussengewinde zylindrisch



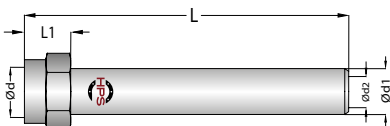
Size	Icon	Ød	Ød1	L	L1	HEX	
6		EPT 06 MMB 13	BSP 1/4	9	28	11	14
		EPT 06 MMB 17	BSP 3/8	9	28	11	17
		EPT 06 MMB 1415	M14x1.5	9	28	11	14
9		EPT 09 MMB 13	BSP 1/4	13	29	12	14
		EPT 09 MMB 17	BSP 3/8	13	30	12	17
		EPT 09 MMB 21	BSP 1/2	13	31	12	21
		EPT 09 MMB 1415	M14x1.5	13	30	12	15
		EPT 09 MMB 1615	M16x1.5	13	30	12	17
13		EPT 13 MMB 21	BSP 1/2	19	47	15	22
		EPT 13 MMB 26	BSP 3/4	19	51	15	27
		EPT 13 MB 2415	M24x1.5	19	51	17	27

Clampless hose tail plug. Nippel mit gerader Schnellsteck - Schlauchtülle



Size	Icon	Ød	Ød1	L	L1	
6		EPT 06 MPF 10	10 mm	9	44	24
		EPT 06 MPF 13	13 mm	9	45	28
9		EPT 09 MPF 10	10 mm	13.4	43	24
		EPT 09 MPF 13	13 mm	13.5	47	28
13		EPT 13 MPF 16	16 mm	19	70	38
		EPT 13 MPF 19	19 mm	19	70	38

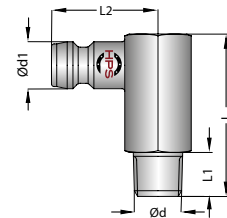
Extension / Verlängerung



Size	Icon	Ød	Ød1	Ød2	L	L1	HEX	
6		FEN 13-120	BSP 1/4	10	6	120	11	17
9		FEN 17-150	BSP 3/8	14	9	150	11	22
6		FEN 1415-120	M14x1.5	10	6	120	12	17
9		FEN 1615-120	M16x1.5	14	9	150	12	22

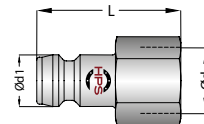
Size		$\varnothing d$	$\varnothing d1$	L	L1	L2	HEX
6	EPT 06 MRF 10-90	BSPT 1/8	9	27	9	23.5	11
	EPT 06 MRF 13-90	BSPT 1/4	9	27	11	27.5	15
	EPT 06 MMF 0875-90	M8x0.75	9	27	9	23.5	11
	EPT 06 MMF 1010-90	M10x1	9	27	9	23.5	11
	EPT 06 MMF 1415-90	M14x1.5	9	34	11	27.5	15
9	EPT 09 MRF 10-90	BSPT 1/8	13	34	9	24.5	15
	EPT 09 MRF 13-90	BSPT 1/4	13	34	11	24.5	15
	EPT 09 MMF 1415-90	M14x1.5	13	34	11	24.5	15
13	EPT 13 MRF 21-90	BSPT 1/2	19	41	15	42	25
	EPT 13 MMF 2415-90	M24x1.5	19	41	16	42	25

Male thread plug 90° / Nippel mit Aussengewinde 90° (Metric DIN 158 - Conical DIN 2999)



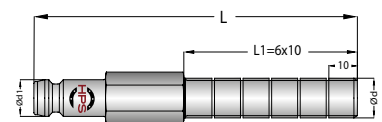
Size		$\varnothing d$	$\varnothing d1$	L	HEX
6	EPT 06 MFF 10	BSP 1/8	9	23	13
	EPT 06 MFF 13	BSP 1/4	9	27	17
	EPT 06 MFF 17	BSP 3/8	9	27	19
9	EPT 09 MFF 13	BSP 1/4	13	26	17
	EPT 09 MFF 17	BSP 3/8	13	27	19
	EPT 09 MFF 21	BSP 1/2	13	30	24
13	EPT 13 MFF 21	BSP 1/2	19	44	24
	EPT 13 MFF 26	BSP 3/4	19	50	30

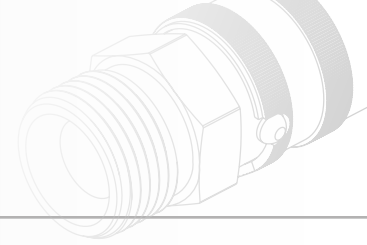
Cylindrical female thread plug / Nippel mit Innengewinde zylindrisch



Size		$\varnothing d$	$\varnothing d1$	L	L1	HEX
6	EPT 06 MMFL 10x100	BSP 1/8	9	100	6x10	11
	EPT 06 MMFL 13x100	BSP 1/4	9	100	6x10	14
	EPT 06 MMFL 17x100	BSP 3/8	9	100	6x10	17
	EPT 06 MMFL 1010x100	M10x1.0	9	100	6x10	11
	EPT 06 MMFL 1415x100	M14x1.5	9	100	6x10	14
9	EPT 09 MMFL 13x100	BSP 1/4	13	100	6x10	14
	EPT 09 MMFL 17x100	BSP 3/8	13	100	6x10	17
	EPT 09 MMFL 1415x100	M14x1.5	13	100	6x10	14
	EPT 09 MMFL 1615x100	M16x1.5	13	100	6x10	17

Male long thread plug / Nippel mit langem Aussengewinde zylindrisch





Plug extension / Nippelverlängerung		Size		Ød	Ød1	L	L1	HEX
	6	EPT 06 MEF 63		8	9	63	21	9
		EPT 06 MEF 100-08		8	9	100	21	9
		EPT 06 MEF 100-10		10	9	100	21	11
		EPT 06 MEF 120		10	9	120	21	11
		EPT 06 MEF 240		10	9	240	21	11
		EPT 06 MEF 360		10	9	360	21	11
	9	EPT 09 MEF 50		14	13	50	22	15
		EPT 09 MEF 100		14	13	100	22	15
		EPT 09 MEF 120		14	13	120	22	15
		EPT 09 MEF 150-08		14	13	150	22	15
		EPT 09 MEF 150-10		10	13	150	22	14
		EPT 09 MEF 300		14	13	300	22	15
EPT 09 MEF 450		14	13	450	22	15		
	13	EPT 13 MEF 500		21	19	500	35	22
		EPT 13 MEF 800		21	19	800	35	22

Male thread extention plug / Nippelverlängerung mit Aussengewinde		Size		Ød	Ød1	L	L1	L2	HEX
	6	EPT 06 MRF 10xL		BSPT 1/8	9	*	21	7	11
		EPT 06 MRF 13xL		BSPT 1/4	9	*	22	9	14
		EPT 06 MMF 0875xL		M8x0.75	9	*	21	7	11
		EPT 06 MMF 1010xL		M10x1.0	9	*	21	7	11
		EPT 06 MMF 1015xL		M14x1.5	9	*	21	9	11

*** L : Length (mm): 50 / 80 / 100 / 120 / 150 / 200**

Male thread extension plug / Nippelverlängerung mit Aussengewinde		Size		Ød	Ød1	L	L1	L2	HEX
	9	EPT 09 MRF 13xL		BSPT 1/4	13.5	*	22	9	14
		EPT 09 MRF 17xL		BSPT 3/8	13.5	*	22	9	17
		EPT 09 MMF 10xL		BSP 1/8	13.5	*	22	7	14
		EPT 09 MMF 13xL		BSP 1/4	13.5	*	22	9	14
		EPT 09 MMF 17xL		BSP 3/8	13.5	*	22	9	17
		EPT 09 MMF 08125xL		M8x1.25	13.5	*	22	9	14
		EPT 09 MMF 1010xL		M10x1.0	13.5	*	22	10	14
		EPT 09 MMF 1015xL		M10x1.5	13.5	*	22	10	14
		EPT 09 MMF 1215xL		M12x1.5	13.5	*	22	10	14
		EPT 09 MMF 12175xL		M12x1.75	13.5	*	22	10	14
		EPT 09 MMF 1415xL		M14x1.5	13.5	*	22	10	15
		EPT 09 MMF 1420xL		M14x2.0	13.5	*	22	10	15
		EPT 09 MMF 1615xL		M16x1.5	13.5	*	22	13	17
		EPT 09 MMF 1620xL		M16x2.0	13.5	*	22	13	17

*** L : Length (mm): 50 / 80 / 100 / 120 / 150 / 200**

Size		Description	Material	Working Temp.
6	SK EPT 06 MN	Plug Seal Kit	NBR - Nitrile	-15°C +100°C
9	SK EPT 09 MN	Plug Seal Kit	NBR - Nitrile	-15°C +100°C
13	SK EPT 13 MN	Plug Seal Kit	NBR - Nitrile	-15°C +100°C
6	SK EPT 06 FN	Socket Seal Kit	NBR - Nitrile	-15°C +100°C
9	SK EPT 09 FN	Socket Seal Kit	NBR - Nitrile	-15°C +100°C
13	SK EPT 13 FN	Socket Seal Kit	NBR - Nitrile	-15°C +100°C
6	SK EPT 06 MV	Plug Seal Kit	FPM - Viton	-20°C +200°C
9	SK EPT 09 MV	Plug Seal Kit	FPM - Viton	-20°C +200°C
13	SK EPT 13 MV	Plug Seal Kit	FPM - Viton	-20°C +200°C
6	SK EPT 06 FV	Socket Seal Kit	FPM - Viton	-20°C +200°C
9	SK EPT 09 FV	Socket Seal Kit	FPM - Viton	-20°C +200°C
13	SK EPT 13 FV	Socket Seal Kit	FPM - Viton	-20°C +200°C





FPT
French Standard Profile For Cooling



MONOCOUPPLINGS FOR

FLUIDS

FPT, the french standard quick coupling system for low pressure applications and all media
 FPT, das französische Profil für Niederdruckanwendungen und alle Medien

Characteristics / Eigenschaften

- | | |
|---|--|
| <ul style="list-style-type: none"> • High quality materials • Compact and Ergonomic design • Easy sealing concept • Extensive range • Available in 3 diameters | <ul style="list-style-type: none"> • Hochwertige Materialien • Kompaktes und ergonomisches Design • Einfaches Dichtungskonzept • Umfangreiches Sortiment • In 3 Nennweiten erhältlich |
|---|--|



Clampless hose system / Schnellsteck System

- | | |
|--|--|
| <ul style="list-style-type: none"> • Allows time-saving assembly without using hose clamps • Space saving • Reduced risk of injury from sharp clamps • Extensive application possibilities | <ul style="list-style-type: none"> • Ermöglicht zeitsparende Montage ohne Schlauchklemmen • Platzsparend • Reduziert Verletzungsgefahr durch scharfe Klemmen • Umfangreiche Einsatzmöglichkeiten |
|--|--|

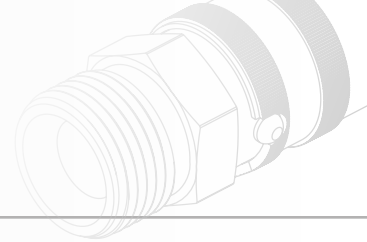
Easy sealing concept / Einfaches Dichtungskonzept

The external O-ring on the plug side can be replaced quickly and easily.

Der aussenliegende O-Ring auf der Steckerseite kann bei Bedarf schnell und einfach ausgewechselt werden.



FU**F**L**P**L
 F U L L F L O W



FPT

TEMPERATURE REGULATION

-- PROFILE FRENCH --

Options / Optionen

- Color coding / Farbkodierung R / B
- Stainless Steel / Edelstahl VA
- Safety locking / Sicherheitsverriegelung S

Using areas / Einsatzbereiche

- Cooling heating / Temperierung
- Injection moulding / Kunststoffindustrie

Materials

Body Socket	Brass
Body Plug	Brass
Sleeve	Brass
Valve	Brass
Locking Ring	Stainless steel
Spring	Stainless steel
Balls	Stainless steel
Seals	Nitrile (N)

Materialien

Kupplungskörper	Messing
Stecker	Messing
Hülse	Messing
Ventil	Messing
Sprengring	Edelstahl
Feder	Edelstahl
Kugeln	Edelstahl
Dichtungen	Nitril (N)



Temperature range / Temperaturbereich

Nitril (NBR)	N	- 15 °C +100 °C
Fluor Carbon (FPM)	V	- 20 °C +160 °C (Water / Wasser) -20 °C +200 °C (Heating Oil / Wärmeträgeröl)

Always make sure no medium flows before disconnecting / Stellen Sie immer vor dem Trennen sicher, dass kein Medium fließt
The use of this series at media temperatures above 100°C is not recommended
Der Einsatz dieser Serie bei über 100°C Medientemperatur wird nicht empfohlen

FPT 06 FPT 08 FPT 12



Flow Size
Nennweiten mm

6 8 12

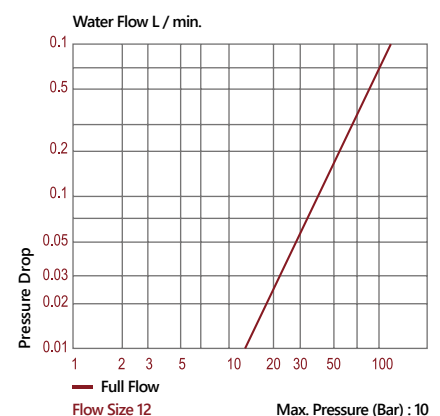
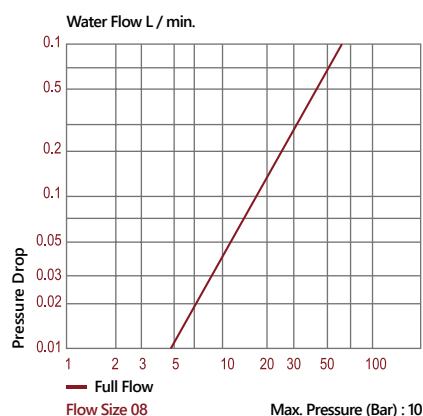
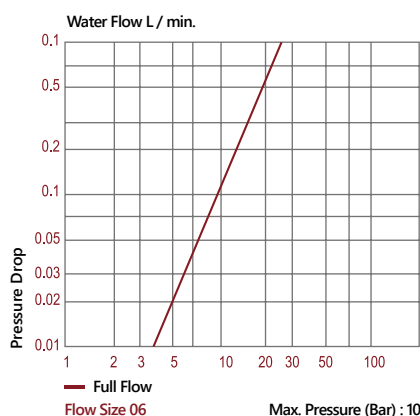


Pressure
Druck bar

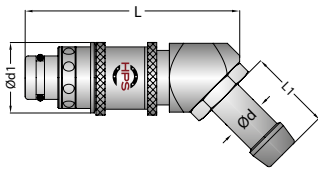
10 10 10



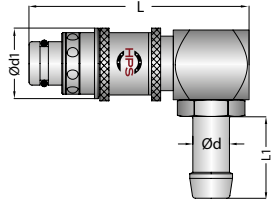


HPS Serie FPT Flow Rate & Pressure Drop Graph / Durchfluss- und Druckabfalldiagramm

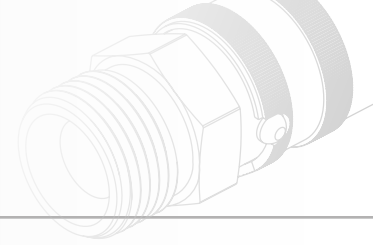


Size	 	Ød	Ød1	L	L1	Standard hose tail plug / Stecker mit Schlauchtülle
6	FPT 06 MHF 06	6 mm	17	55	23	
	FPT 06 MHF 08	8 mm	17	55	23	
8	FPT 08 MHF 06	6 mm	20	57	23	
	FPT 08 MHF 08	8 mm	20	62	23	
	FPT 08 MHF 10	10 mm	20	62	23	
	FPT 08 MHF 12	12 mm	20	66	23	
	FPT 08 MHF 13	13 mm	20	62	23	
12	FPT 12 MHF 13	13 mm	27.5	77	33	
	FPT 12 MHF 16	16 mm	27.5	77	33	
	FPT 12 MHF 19	19 mm	27.5	77	33	

Size	 	Ød	Ød1	L	L1	Standard hose tail plug 45° Stecker mit 45° Schlauchtülle
8	FPT 08 MHF 06-45	6 mm	20	55	23	
	FPT 08 MHF 08-45	8 mm	20	55	23	
	FPT 08 MHF 10-45	10 mm	20	55	23	
	FPT 08 MHF 12-45	12 mm	20	55	23	
	FPT 08 MHF 13-45	13 mm	20	55	23	
12	FPT 12 MHF 13-45	13 mm	27.5	65	33	
	FPT 12 MHF 16-45	16 mm	27.5	65	33	
	FPT 12 MHF 19-45	19 mm	27.5	65	33	

Size	 	Ød	Ød1	L	L1	Standard hose tail plug 90° Stecker mit 90° Schlauchtülle
8	FPT 08 MHF 06-90	6 mm	20	55	23	
	FPT 08 MHF 08-90	8 mm	20	55	23	
	FPT 08 MHF 10-90	10 mm	20	55	23	
	FPT 08 MHF 12-90	12 mm	20	55	23	
	FPT 08 MHF 13-90	13 mm	20	55	23	
12	FPT 12 MHF 13-90	13 mm	27.5	65	33	
	FPT 12 MHF 16-90	16 mm	27.5	65	33	
	FPT 12 MHF 19-90	19 mm	27.5	65	33	

Size	 	Ød	Ød1	L	HEX	Female thread plug / Stecker mit Innengewinde
8	FPT 08 MFF 13	BSP 1/4	20	44	17	
	FPT 08 MNF 13	NPT 1/4	20	44	17	
	FPT 08 MFF 17	BSP 3/8	20	53	19	
	FPT 08 MNF 17	NPT 3/8	20	52	19	
12	FPT 12 MFF 17	BSP 3/8	27.5	60	22	
	FPT 12 MFF 21	BSP 1/2	27.5	60	24	
	FPT 12 MNF 21	NPT 1/2	27.5	64	24	



Clampless hose tail plug Stecker mit Schnellsteck - Schlauchtülle		Size		Ød	Ød1	L	L1
	8	FPT 08 MPF 10	10 mm	20	62	24	
		FPT 08 MPF 13	13 mm	20	69	28	
	12	FPT 12 MPF 13	13 mm	27.5	73	28	
		FPT 12 MPF 16	16 mm	27.5	82	38	

Clampless hose tail plug 45° Stecker mit Schnellsteck - Schlauchtülle 45°		Size		Ød	Ød1	L	L1
	8	FPT 08 MPF 10-45	10 mm	20	55	24	
		FPT 08 MPF 13-45	13 mm	20	55	28	
	12	FPT 12 MPF 13-45	13 mm	27.5	65	28	
		FPT 12 MPF 16-45	16 mm	27.5	65	38	

Clampless hose tail plug 90° Stecker mit Schnellsteck - Schlauchtülle 90°		Size		Ød	Ød1	L	L1
	8	FPT 08 MPF 10-90	10 mm	20	55	24	
		FPT 08 MPF 13-90	13 mm	20	55	28	
	12	FPT 12 MPF 13-90	13 mm	27.5	65	28	
		FPT 12 MPF 16-90	16 mm	27.5	65	38	

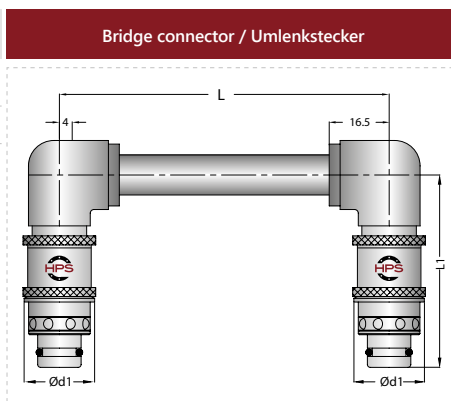
Female thread plug 45° Stecker mit Innengewinde 45°		Size		Ød	Ød1	L
	8	FPT 08 MFF 13-45	BSP 1/4	20	55	
		FPT 08 MNF 13-45	NPT 1/4	20	66	
	12	FPT 12 MFF 21-45	BSP 1/2	27.5	66	
		FPT 12 MNF 21-45	NPT 1/2	27.5	66	

Female thread plug 90° Stecker mit Innengewinde 90°		Size		Ød	Ød1	L
	8	FPT 08 MFF 13-90	BSP 1/4	20	55	
		FPT 08 MNF 13-90	NPT 1/4	20	55	
	12	FPT 12 MFF 17-90	BSP 3/8	27.5	66	
		FPT 12 MFF 21-90	BSP 1/2	27.5	66	
		FPT 12 MNF 21-90	NPT 1/2	27.5	66	

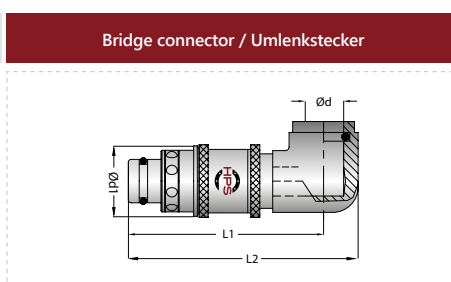
Size	Without Valve / Ohne Ventil	Ød	Ød1	L	L1
8	FPT 08 MCF 125	11x1.5	20	125	54
	FPT 08 MCF 250	11x1.5	20	250	54
	FPT 08 MCF 500	11x1.5	20	500	54

Includes 2 sockets and pipe / Beinhaltet 2 Kupplungen und das Verbindungsrohr

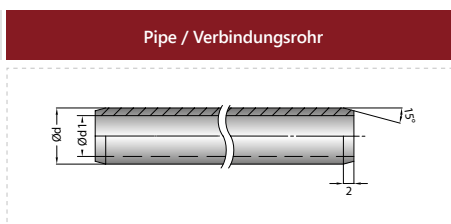
! Minimum distance between plugs = 36 mm
Mindestabstand zwischen Steckern = 36 mm



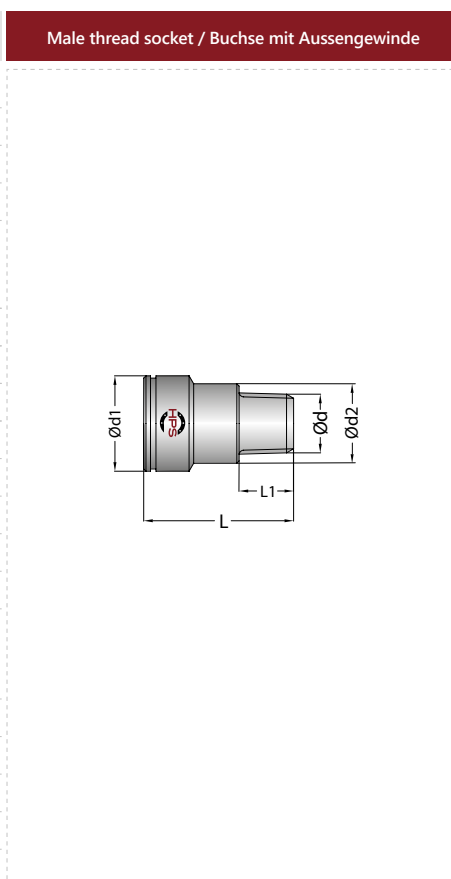
Size	Without Valve / Ohne Ventil	Ød	Ød1	L1	L2
8	FPT 08 MCF 00	11x1.5	20	54	64

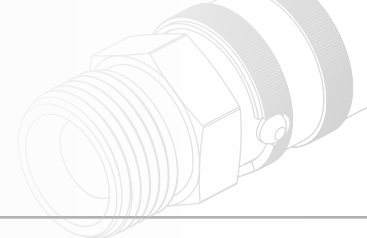


Size	Brass Tube Messing Rohr	Ød	Ød1	Length / Länge
8	FPT 1115x1000	11	8	1000 mm



Size		Ød	Ød1	Ød2	L	L1	INNER HEX
6	FPT 06 FRF 10	BSPT 1/8	17	14	28.5	8	6
	FPT 06 FRF 13	BSPT 1/4	17	14	28.5	12	6
	FPT 06 FTF 10	NPT 1/8	17	14	28.5	8	6
	FPT 06 FTF 13	NPT 1/4	17	14	28.5	12	6
	FPT 06 FMF 1010	M10x1.0	17	14	28.5	8	6
8	FPT 08 FRF 10	BSPT 1/8	21	17.5	32	8	6
	FPT 08 FRF 13	BSPT 1/4	21	17.5	33	12	8
	FPT 08 FRF 17	BSPT 3/8	21	-	24	12	8
	FPT 08 FRF 21	BSPT 1/2	21	-	28	16	8
	FPT 08 FTF 10	NPT 1/8	21	17.5	31	8	1/4"
	FPT 08 FTF 13	NPT 1/4	21	17.5	33	11	1/4"
	FPT 08 FTF 17	NPT 3/8	21	-	24	11	5/16"
	FPT 08 FMF 1010	M10x1.0	21	17.5	31	10	6
	FPT 08 FMF 1015	M10x1.5	21	17.5	31	10	6
FPT 08 FMF 1415	M14x1.5	21	17.5	31	10	8	
12	FPT 12 FRF 17	BSPT 3/8	32	25	41	11	10
	FPT 12 FRF 21	BSPT 1/2	32	25	44	14	14
	FPT 12 FRF 26	BSPT 3/4	32	-	32	19	14
	FPT 12 FTF 17	NPT 3/8	32	25	41	11	3/8"
	FPT 12 FTF 21	NPT 1/2	32	25	44	14	9/16"
FPT 12 FTF 17	NPT 3/4	32	-	32	14	9/16"	





Male thread socket 45° Buchse mit Aussengewinde 45°		Size		Ød	Ød1	L	L1	L2	HEX
	8	FPT 08 FRF 10-45	BSPT 1/8	21	16.5	18.5	10	19	
		FPT 08 FRF 13-45	BSPT 1/4	21	16.5	18.5	12	19	
		FPT 08 FRF 17-45	BSPT 3/8	21	16.5	18.5	12	19	

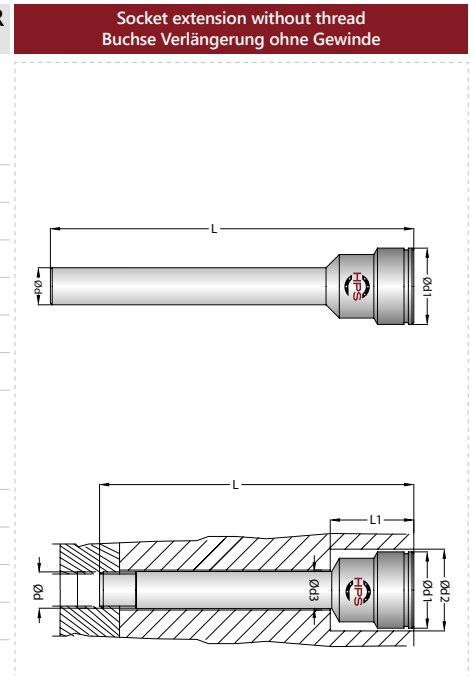
Male thread socket 90° Buchse mit Aussengewinde 90°		Size		Ød	Ød1	L	L1	L2	HEX
	8	FPT 08 FRF 10-90	BSPT 1/8	21	23	22	10	19	
		FPT 08 FRF 13-90	BSPT 1/4	21	25	22	12	19	
		FPT 08 FRF 17-90	BSPT 3/8	21	26	22	13	19	
		FPT 08 FTF 10-90	NPT 1/8	21	23	22	10	19	
		FPT 08 FTF 13-90	NPT 1/4	21	25	22	12	19	
FPT 08 FTF 17-90	NPT 3/8	21	26	22	13	19			

Female thread sockets / Buchse mit Innengewinde		Size		Ød	Ød1	L	INNER HEX
	6	FPT 06 FFF 10	BSP 1/8	17	32	6	
		FPT 06 FNF 10	NPT 1/4	17	33	1/4"	
	8	FPT 08 FFF 10	BSP 1/8	21	35	6	
		FPT 08 FFF 13	BSP 1/4	21	39	8	
		FPT 08 FNF 10	NPT 1/8	21	35	1/4"	
	12	FPT 08 FNF 13	NPT 1/4	21	39	5/16"	
		FPT 12 FFF 17	BSP 3/8	32	49	12	
		FPT 12 FFF 21	BSP 1/2	32	50	12	
		FPT 12 FNF 21	NPT 1/2	32	52	1/2"	

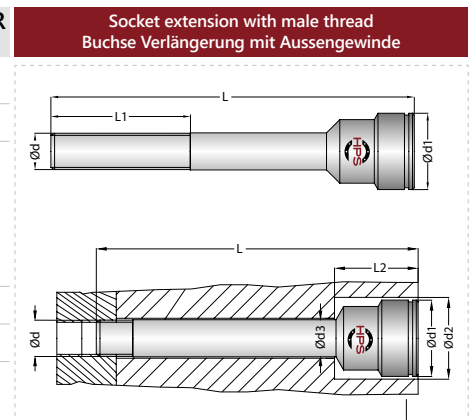
Male threaded socket with valve / Buchse mit Aussengewinde und Ventil		Size		Ød	Ød1	L	L1
	8	FPT 08 FRB 13	BSPT 1/4	21	35	12	
		FPT 08 FRB 17	BSPT 3/8	21	28	13	
		FPT 08 FTB 17	NPT 3/8	21	26	13	

Colour Ring / Farbringe		Size	Red / Rot	Blue / Blau	Description
	6	FPT 06 FCR R	FPT 06 FCR B	Socket Colour Ring	
	8	FPT 08 FCR R	FPT 08 FCR B	Socket Colour Ring	
	12	FPT 12 FCR R	FPT 12 FCR B	Socket Colour Ring	
	6	FPT 06 MCR R	FPT 06 MCR B	Plug Colour Ring	
	8	FPT 08 MCR R	FPT 08 MCR B	Plug Colour Ring	
	12	FPT 12 MCR R	FPT 12 MCR B	Plug Colour Ring	

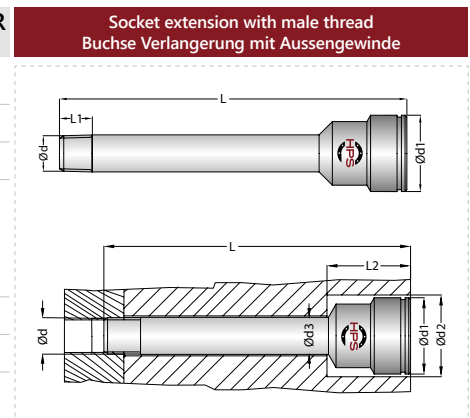
Size		$\varnothing d$	$\varnothing d1$	$\varnothing d2$	$\varnothing d3$	Min. L	Max. L	L1	INNER HEX
6	FPT 06 FEF 10-100	1/8	17	18.5	11	33-100		20	6
8	FPT 08 FEF 10-100	1/8	21	22.5	11	33-100		23	6
	FPT 08 FEF 10-150	1/8	21	22.5	11	100-150		23	6
	FPT 08 FEF 10-200	1/8	21	22.5	11	150-200		23	6
	FPT 08 FEF 10-250	1/8	21	22.5	11	200-250		23	6
	FPT 08 FEF 13-100	1/4	21	22.5	14	34-100		23	6
	FPT 08 FEF 13-150	1/4	21	22.5	14	100-150		23	6
	FPT 08 FEF 13-200	1/4	21	22.5	14	150-200		23	6
12	FPT 12 FEF 17-150	3/8	32	33.5	18	59-150		43	14
	FPT 12 FEF 17-200	3/8	32	33.5	18	150-200		43	14
	FPT 12 FEF 17-250	3/8	32	33.5	18	200-250		43	14
	FPT 12 FEF 21-150	1/2	32	33.5	22	59-150		43	14
	FPT 12 FEF 21-200	1/2	32	33.5	22	150-200		43	14
FPT 12 FEF 21-250	1/2	32	33.5	22	200-250		43	14	

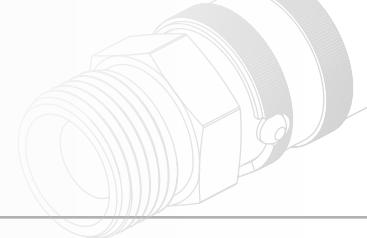


Size		$\varnothing d$	$\varnothing d1$	$\varnothing d2$	$\varnothing d3$	Min. L	Max. L	L1	L2	INNER HEX
8	FPT 08 FMF 10-50	BSP 1/8	21	22.5	11	35-50		26	21	6
	FPT 08 FMF 10-100	BSP 1/8	21	22.5	11	50-100		60	21	6
	FPT 08 FMF 10-150	BSP 1/8	21	22.5	11	100-150		60	21	6
8	FPT 08 FMF 13-50	BSP 1/4	21	22.5	14	39-50		27	21	8
	FPT 08 FMF 13-100	BSP 1/4	21	22.5	14	55-100		60	21	8
	FPT 08 FMF 13-150	BSP 1/4	21	22.5	14	105-150		60	21	8
	FPT 08 FMF 13-200	BSP 1/4	21	22.5	14	155-200		60	21	8



Size		$\varnothing d$	$\varnothing d1$	$\varnothing d2$	$\varnothing d3$	Min. L	Max. L	L1	L2	INNER HEX
8	FPT 08 FRF 10-100	BSPT 1/8	21	22.5	11	50-100		9	21	6
	FPT 08 FRF 10-150	BSPT 1/8	21	22.5	11	100-150		9	21	6
	FPT 08 FRF 10-200	BSPT 1/8	21	22.5	11	150-200		9	21	6
	FPT 08 FRF 10-250	BSPT 1/8	21	22.5	11	200-250		9	21	6
8	FPT 08 FRF 13-100	BSPT 1/4	21	22.5	14	50-100		12	21	8
	FPT 08 FRF 13-150	BSPT 1/4	21	22.5	14	100-150		12	21	8
	FPT 08 FRF 13-200	BSPT 1/4	21	22.5	14	150-200		12	21	8
	FPT 08 FRF 13-250	BSPT 1/4	21	22.5	14	200-250		12	21	8





Assembling dimensions for the socket Einbaumaß für den versenkten Einbau		Size		Ød	L	L1	Torque (Nm)	INNER HEX
	6	BSP 1/8		18.5	29.5	20	15	6
		BSP 1/4		18.5	30.5	19	30	6
		NPT 1/8		18.5	31.5	20	15	1/4"
		NPT 1/4		18.5	33	19	30	1/4"
	8	BSP 1/8		22.5	33	23	15	6
		BSP 1/4		22.5	35	22	30	8
		BSP 3/8		22.5	25	12	30	8
		NPT 1/8		22.5	33	25.5	15	1/4"
		NPT 1/4		22.5	35	24	30	5/16"
		NPT 3/8		22.5	25	14	30	5/16"
	12	BSP 3/8		33.5	43	29	50	10
		BSP 1/2		33.5	46	30	50	14
		BSP 3/4		33.5	34	15	50	14
		NPT 3/8		33.5	43	33	50	3/8"
		NPT 1/2		33.5	46	35	50	9/16"
		NPT 3/4		33.5	34	15	50	9/16"

Replacement seal set / Ersatz O-Ring Set		Size		Description	Material	Working Temp.
	6	SK FPT 06 MN		Plug Seal Set	NBR - Nitrile	-15°C +100°C
	8	SK FPT 08 MN		Plug Seal Set	NBR - Nitrile	-15°C +100°C
	12	SK FPT 12 MN		Plug Seal Set	NBR - Nitrile	-15°C +100°C
	6	SK FPT 06 FN		Socket Seal Set	NBR - Nitrile	-15°C +100°C
	8	SK FPT 08 FN		Socket Seal Set	NBR - Nitrile	-15°C +100°C
	12	SK FPT 12 FN		Socket Seal Set	NBR - Nitrile	-15°C +100°C
	6	SK FPT 06 MV		Plug Seal Set	FPM - Viton	-20°C +200°C
	8	SK FPT 08 MV		Plug Seal Set	FPM - Viton	-20°C +200°C
	12	SK FPT 12 MV		Plug Seal Set	FPM - Viton	-20°C +200°C
	6	SK FPT 06 FV		Socket Seal Set	FPM - Viton	-20°C +200°C
	8	SK FPT 08 FV		Socket Seal Set	FPM - Viton	-20°C +200°C
	12	SK FPT 12 FV		Socket Seal Set	FPM - Viton	-20°C +200°C



IHF
ISO 16028 Flat-Face



MONOCOUPPLINGS FOR

HYDRAULICS

IHF, the standardized coupling system for demanding hydraulic applications
 IHF, das standardisierte Kupplungssystem mit anspruchsvolle Hydraulik Anwendungen

Characteristics / Eigenschaften

- Non spill - flat face
- Optimized flow characteristics
- One-hand connection
- Ergonomic design
- Wide flow size range
- Available in stainless steel
- ISO profile
- Leckagefrei, flachdichtend
- Optimierter Durchfluss
- Einhandbedienung
- Ergonomisches Design
- Große Nennweiten
- In Edelstahl erhältlich
- ISO Profil



Safe and quick locking Schnelle und sichere Verriegelung

Depending on the size, the balls provide a reliable locking. The locking sleeve is ergonomic designed - thanks to this properties IHF series becomes a comfortable and safe coupling system and ensures safe locking and unlocking.

Je nach Größe sorgen die Kugeln für eine zuverlässige Verriegelung. Die Verriegelungshülse ist ergonomisch gestaltet. Dank diesen Eigenschaften wird die IHF-Serie zu einem komfortablen Schnellkupplungssystem und garantiert sicheres Ein- und Auskuppeln.



Disconnecting lock / Entkupplungssperre

The "disconnecting lock" prevents the coupling system from unintentionally disconnecting

Durch die Entkupplungs-Sperre wird das ungewollte Entkoppeln des Kupplungssystems verhindert



IHF
 ISO 16028 FLAT-FACE

IHF

ISO 16028 FLAT FACE

-- PROFILE IHF --

Options / Optionen

- Color coding / Farbkodierung **R / B**
- Stainless Steel / Edelstahl **VA**

Using areas / Einsatzbereiche

- Testing units / Prüfstände
- Injection moulding / Kunststoffindustrie
- Cores / Kernzüge

Materials

Body Socket	Steel zinc plated
Body Plug	Steel zinc plated
Sleeve	Steel zinc plated
Valve	Steel zinc plated
Spring	Stainless steel
Balls	Stainless steel
Seals	Nitrile (N)

Materialien

Kupplungskörper	Stahl verzinkt
Stecker	Stahl verzinkt
Hülse	Stahl verzinkt
Ventil	Stahl verzinkt
Feder	Edelstahl
Kugeln	Edelstahl
Dichtungen	Nitril (N)



Temperature range / Temperaturbereich

Nitril (NBR)	N	- 15 °C +100 °C
Fluor Carbon (FPM)	V	- 20 °C +200 °C

Please note the operating instructions for hydraulic couplings / Bitte Gebrauchsanweisung für Hydraulikkupplungen beachten !!

IHF 06 IHF 10 IHF 12 IHF 16 IHF 19 IHF 25

Flow Size
Nennweiten mm

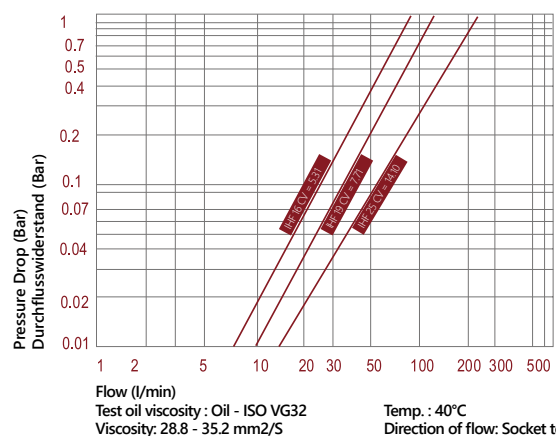
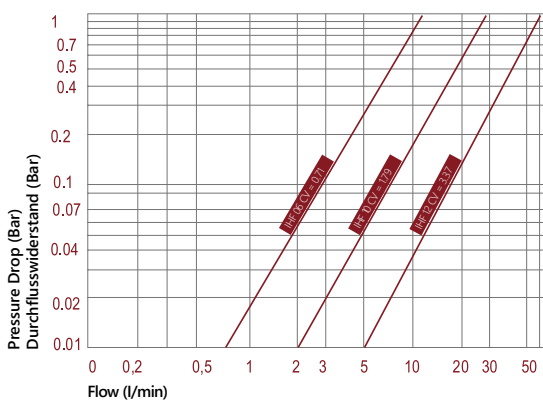
6	10	12	16	19	25
---	----	----	----	----	----

Pressure
Druck bar

400	375	350	350	300	250
-----	-----	-----	-----	-----	-----

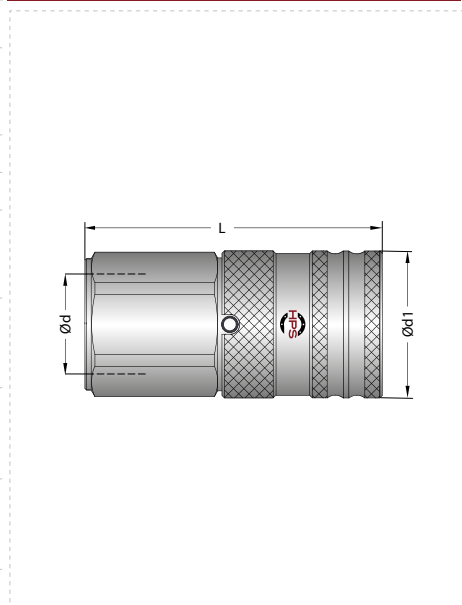


HPS Serie IHF Flow Rate vs Pressure Drop Graph / Durchflussrate vs Druckabfall



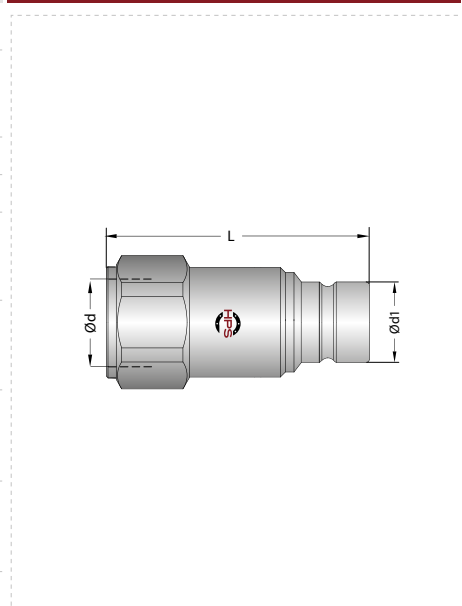
Size		Ød	Ød1	L	HEX
6	IHF 06 FFB 13	BSP 1/4	28	58	22
	IHF 06 FNB 13	NPT 1/4	28	58	22
10	IHF 10 FFB 17	BSP 3/8	32	66	27
	IHF 10 FNB 17	NPT 3/8	32	66	27
	IHF 10 FFB 21	BSP 1/2	32	70	27
	IHF 10 FNB 21	NPT 1/2	32	70	27
12	IHF 12 FFB 21	BSP 1/2	38	83	35
	IHF 12 FNB 21	NPT 1/2	38	83	35
16	IHF 16 FFB 26	BSP 3/4	42	85	36
	IHF 16 FNB 26	NPT 3/4	42	85	36
19	IHF 19 FFB 33	BSP 1	48	97	41
	IHF 19 FNB 33	NPT 1	48	97	41
25	IHF 25 FFB 33	BSP 1	55	112	55
	IHF 25 FNB 33	NPT 1	55	112	55

Female thread socket / Kupplung mit Innengewinde



Size		Ød	Ød1	L	HEX
6	IHF 06 MFB 13	BSP 1/4	16	52	22
	IHF 06 MNB 13	NPT 1/4	16	52	22
10	IHF 10 MFB 17	BSP 3/8	20	59	25
	IHF 10 MNB 17	NPT 3/8	20	59	25
	IHF 10 MFB 21	BSP 1/2	20	62	27
	IHF 10 MNB 21	NPT 1/2	20	62	27
12	IHF 12 MFB 21	BSP 1/2	24.5	74	32
	IHF 12 MNB 21	NPT 1/2	24.5	71	32
16	IHF 16 MFB 26	BSP 3/4	27	76	38
	IHF 16 MNB 26	NPT 3/4	27	76	38
19	IHF 19 MFB 33	BSP 1	30	82	46
	IHF 19 MNB 33	NPT 1	30	85	46
25	IHF 25 MFB 33	BSP 1	36	90	55
	IHF 25 MNB 33	NPT 1	36	90	55

Female thread plug / Nippel mit Innengewinde





SPT
High Flow French Standard Profile For Cooling



MONOCOUPPLINGS FOR

FLUIDS

FPT, the french standard quick coupling system for low pressure applications and all media
 FPT, das französische Profil für Niederdruckerwendungen und alle Medien

Characteristics / Eigenschaften

- | | |
|---|--|
| <ul style="list-style-type: none"> • High quality materials • Compact and Ergonomic design • Extensive range • Available in 7 diameters • Color coding | <ul style="list-style-type: none"> • Hochwertige Materialien • Kompaktes und ergonomisches Design • Umfangreiches Sortiment • In 7 Nennweiten erhältlich • Farkodierung |
|---|--|



Clampless hose system / Schnellsteck System

- | | |
|--|--|
| <ul style="list-style-type: none"> • Allows time-saving assembly without using hose clamps • Space saving • Reduces the risk of injury from sharp clamps • Extensive application possibilities | <ul style="list-style-type: none"> • Ermöglicht zeitsparende Montage ohne Schlauchklemmen • Platzsparend • Reduziert Verletzungsgefahr durch scharfe Klemmen • Umfangreiche Einsatzmöglichkeiten |
|--|--|

Easy sealing concept / Einfaches Dichtungskonzept

The external O-ring on the plug side can be replaced quickly and easily for maintenance.

Der aussenliegende O-Ring auf der Steckerseite kann bei Bedarf schnell und einfach ausgewechselt werden.



H I G H F L O W

SPT

TEMPERATURE REGULATION

-- PROFILE INTERNATIONAL --

Options / Optionen

- Color coding / Farbkodierung **R / B**
- Stainless Steel / Edelstahl **VA**
- Safety locking / Sicherheitsverriegelung **S**

Using areas / Einsatzbereiche

- Cooling heating / Temperierung
- Injection moulding / Kunststoffindustrie

Materials

Body Socket	Brass
Body Plug (6,9,12mm)	Brass
Body Plug (16,20,25,38mm)	Stainless steel
Sleeve	AISI 420 chrome pl.
Valve	Brass
Locking Ring	Stainless steel
Spring	Stainless steel
Balls	Stainless steel
Seals	Viton (V)

Materialien

Kupplungskörper	Messing
Stecker (6,9,12mm)	Messing
Stecker (16,20,25,38mm)	Edelstahl
Hülse	AISI 420 verchromt
Ventil	Messing
Sprengring	Edelstahl
Feder	Edelstahl
Kugeln	Edelstahl
Dichtungen	Viton (V)



Temperature range / Temperaturbereich

Nitril (NBR)	N	- 15 °C +100 °C
Fluor Carbon (FPM)	V	- 20 °C +160 °C (Water / Wasser) - 20 °C +200 °C (Heating Oil / Wärmeträgeröl)

Always make sure no medium flows before disconnecting / Stellen Sie immer vor dem Trennen sicher, dass kein Medium fließt

SPT 06 SPT 09 SPT 12 SPT 16 SPT 20 SPT 25 SPT 38

Flow Size
Nennweiten mm

6	9	12	16	20	25	38
---	---	----	----	----	----	----

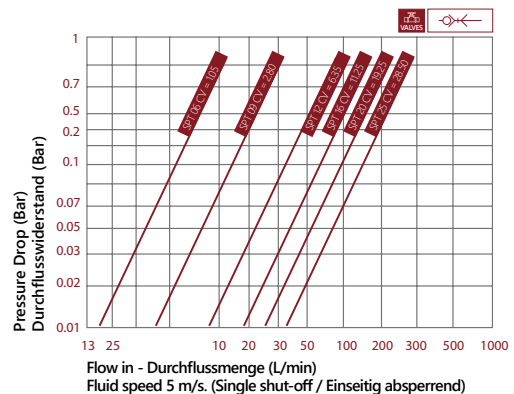
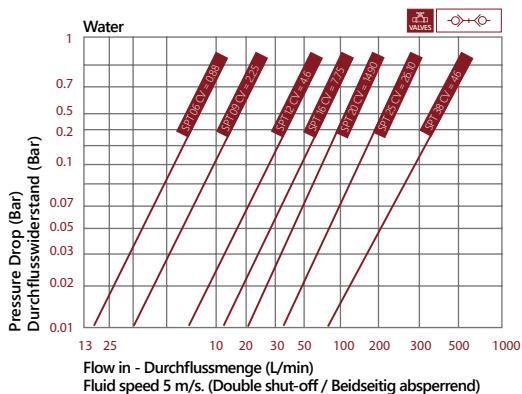
Pressure
Druck bar

16	16	16	16	16	16	16
----	----	----	----	----	----	----



HPS Serie

Flow Rate vs Pressure Drop Graph / Durchflussrate vs Druckabfall

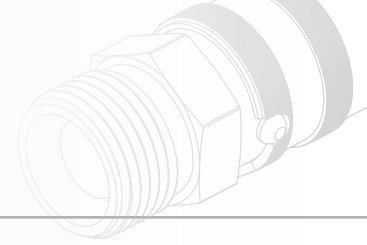


Size			Ød	Ød1	L	L1	Standard hose tail socket Kupplung mit Standard Schlauchtülle
6	SPT 06 FHB 06	SPT 06 FHF 06	6 mm	19	60	23	
	SPT 06 FHB 08	SPT 06 FHF 08	8 mm	19	60	23	
9	SPT 09 FHB 10	SPT 09 FHF 10	10 mm	24.5	69	27.5	
	SPT 09 FHB 12	SPT 09 FHF 12	12 mm	24.5	69	27.5	
12	SPT 12 FHB 12 SPT	SPT 12 FHF 12	12 mm	30	81.5	27.5	
	12 FHB 16	SPT 12 FHF 16	16 mm	30	87	33	
16	SPT 16 FHB 16 SPT	SPT 16 FHF 16	16 mm	37.5	108	33	
	16 FHB 19	SPT 16 FHF 19	19 mm	37.5	108	33	

Size			Ød	Ød1	L	L1	Standard hose tail socket 90° Kupplung mit Standard Schlauchtülle 90°
6	SPT 06 FHB 08-90	SPT 06 FHF 08-90	8 mm	19	60	23	
9	SPT 09 FHB 10-90	SPT 09 FHF 10-90	10 mm	24.5	69	27.5	
	SPT 09 FHB 12-90	SPT 09 FHF 12-90	12 mm	24.5	69	27.5	
12	SPT 12 FHB 12-90	SPT 12 FHF 12-90	12 mm	30	84	27.5	
	SPT 12 FHB 16-90	SPT 12 FHF 16-90	16 mm	30	84	33	
16	SPT 16 FHB 19-90	SPT 16 FHF 19-90	19 mm	37.5	114	33	

Size			Ød	Ød1	L	L1	Push to connect hose tail socket Kupplung mit schnellsteck Schlauchtülle
6	SPT 06 FPB 10	SPT 06 FPF 10	10 mm	19	61	24	
9	SPT 09 FPB 10	SPT 09 FPF 10	10 mm	24.5	66	24	
	SPT 09 FPB 13	SPT 09 FPF 13	13 mm	24.5	81.5	28	
12	SPT 12 FPB 13	SPT 12 FPF 13	13 mm	30	81.5	28	
	SPT 12 FPB 16	SPT 12 FPF 16	16 mm	30	91.5	38	
16	SPT 16 FPB 19	SPT 16 FPF 19	19 mm	37.5	113	38	

Size			Ød	Ød1	L	L1	Push to connect hose tail socket 90° Kupplung mit schnellsteck Schlauchtülle 90°
6	SPT 06 FPB 10-90	SPT 06 FPF 10-90	10 mm	19	60	24	
9	SPT 09 FPB 10-90	SPT 09 FPF 10-90	10 mm	24.5	69	24	
	SPT 09 FPB 13-90	SPT 09 FPF 13-90	13 mm	24.5	69	28	
12	SPT 12 FPB 13-90	SPT 12 FPF 13-90	13 mm	30	84	28	
	SPT 12 FPB 16-90	SPT 12 FPF 16-90	16 mm	30	94	38	
16	SPT 16 FPB 19-90	SPT 16 FPF 19-90	19 mm	37.5	114	38	



Female thread socket Kupplung mit Innengewinde		Size			Ød	Ød1	L	L1
	6	SPT 06 FFB 13	SPT 06 FFF 13	BSP 1/4	19	46	17	
		SPT 06 FNB 13	SPT 06 FNF 13	NPT 1/4	19	46	17	
	9	SPT 09 FFB 17	SPT 09 FFF 17	BSP 3/8	24.5	53	22	
		SPT 09 FNB 17	SPT 09 FNF 17	NPT 3/8	24.5	53	22	
	12	SPT 12 FFB 21	SPT 12 FFF 21	BSP 1/2	30	81.5	27.5	
		SPT 12 FNB 21	SPT 12 FNF 21	NPT 1/2	30	87	33	
	16	SPT 16 FFB 26	SPT 16 FFF 26	BSP 3/4	37.5	90	35	
		SPT 16 FNB 26	SPT 16 FNF 26	NPT 3/4	37.5	90	35	

Female thread socket 90° Kupplung mit Innengewinde 90°		Size			Ød	Ød1	L	L1
	6	SPT 06 FFB 13-90	SPT 06 FFF 13-90	BSP 1/4	19	46	17	
		SPT 06 FNB 13-90	SPT 06 FNF 13-90	NPT 1/4	19	46	17	
	9	SPT 09 FFB 17-90	SPT 09 FFF 17-90	BSP 3/8	24.5	53	22	
		SPT 09 FNB 17-90	SPT 09 FNF 17-90	NPT 3/8	24.5	53	22	
	12	SPT 12 FFB 21-90	SPT 12 FFF 21-90	BSP 1/2	30	81.5	27.5	
		SPT 12 FNB 21-90	SPT 12 FNF 21-90	NPT 1/2	30	87	33	
	16	SPT 16 FFB 26-90	SPT 16 FFF 26-90	BSP 3/4	37.5	90	35	
		SPT 16 FNB 26-90	SPT 16 FNF 26-90	NPT 3/4	37.5	90	35	

Cylindrical male thread socket Kupplung mit zylindrischem Aussengewinde		Size			Ød	Ød1	L	L1	HEX
	6	SPT 06 FOB 13	SPT 06 FOF 13	BSP 1/4	19	46	10	17	
	9	SPT 09 FOB 17	SPT 09 FOF 17	BSP 3/8	24.5	53	11	22	
	12	SPT 12 FOB 21	SPT 12 FOF 21	BSP 1/2	30	67	11	22	
	16	SPT 16 FOB 26	SPT 16 FOF 26	BSP 3/4	37.5	90.5	14	27	

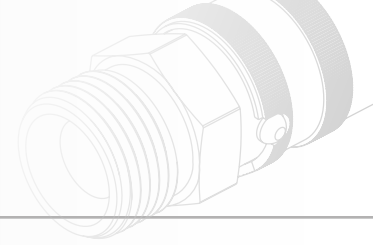
Male thread socket 90° Kupplung mit Aussengewinde 90°		Size			Ød	Ød1	L	L1	HEX
	6	SPT 06 FOB 13-90	SPT 06 FOF 13-90	BSP 1/4	19	46	34	9	
	9	SPT 09 FOB 17-90	SPT 09 FOF 17-90	BSP 3/8	24.5	53	40	10	
	12	SPT 12 FOB 21-90	SPT 12 FOF 21-90	BSP 1/2	30	67	40	10	
	16	SPT 16 FOB 26-90	SPT 16 FOF 26-90	BSP 3/4	37.5	114	47	12	

Size		Ød	L	L1	HEX	Cylindrical male thread plug / Nippel mit zylindrischem Aussengewinde
6	SPT 06 MMF 13	BSP 1/4	33	9	14	
	SPT 06 MMF 17	BSP 3/8	34	10	19	
9	SPT 09 MMF 13	BSP 1/4	35	10	15	
	SPT 09 MMF 17	BSP 3/8	37	12	19	
	SPT 09 MMF 21	BSP 1/2	37	12	22	
12	SPT 12 MMF 21	BSP 1/2	42	12	24	
	SPT 12 MMF 26	BSP 3/4	46	16	27	
16	SPT 16 MMF 26	BSP 3/4	62	16	27	
	SPT 16 MMF 33	BSP 1	60	22	32	
	SPT 16 MMF 2415	M24x1.5	56	18	30	

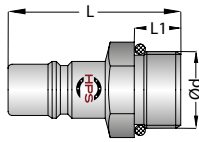
Size		Ød	L	L1	INNER HEX	OUTER HEX	Conical male thread plug Nippel mit konischem Aussengewinde
6	SPT 06 MRF 13	BSPT 1/8	30	9	5	-	
	SPT 06 MRF 17	BSPT 1/4	31	13	5	-	
9	SPT 09 MRF 13	BSPT 1/4	34	10	8	-	
	SPT 09 MRF 17	BSPT 3/8	36	13	8	-	
	SPT 09 MRF 21	BSPT 1/2	42	17	-	22	
	SPT 09 MTF 13	NPT 1/4	37	13	8	-	
	SPT 09 MTF 17	NPT 3/8	38	13	8	-	
12	SPT 12 MRF 17	BSPT 3/8	39	13	10	-	
	SPT 12 MRF 21	BSPT 1/2	45	16	-	22	
	SPT 12 MTF 17	NPT 3/8	39	14	10	-	
	SPT 12 MTF 21	NPT 1/2	45	16	-	22	
16	SPT 16 MRF 26	BSPT 3/4	63	17	-	27	
	SPT 16 MTF 26	NPT 3/4	62	19	-	27	

Size		Ød	L	L1	Push to connect hose tail plug Nippel mit gerader Schnellsteck - Schlauchtülle
6	SPT 06 MPF 10	10 mm	45	24	
9	SPT 09 MPF 10	10 mm	46	24	
9	SPT 09 MPF 13	13 mm	50	28	
12	SPT 12 MPF 13	13 mm	57	28	
12	SPT 12 MPF 16	16 mm	67	38	
16	SPT 16 MPF 16	16 mm	73	38	
16	SPT 16 MPF 19	19 mm	73	38	

Size		Ød	L	L1	Standard hose tail plug Nippel mit gerader Standard - Schlauchtülle
6	SPT 06 MHF 08	8 mm	44	23	
6	SPT 06 MHF 10	10 mm	44	23	
9	SPT 09 MHF 12	12 mm	50	28	
12	SPT 12 MHF 12	12 mm	55	28	
12	SPT 12 MHF 16	16 mm	55	28	
16	SPT 06 MHF 19	19 mm	62	28	

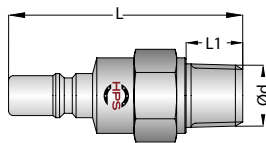


Male thread plug with valve for multicoupling plates
Verschlussnippel mit Aussengewinde für Multikupplungsplatten



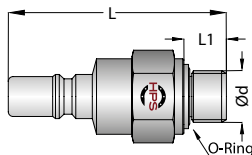
Size		Ød	L	L1	HEX
6	SPT 06 MOB 17	BSP 3/8	35.5	10	19
9	SPT 09 MOB 21	BSP 1/2	37	12	22
12	SPT 12 MOB 26	BSP 3/4	46	16	27
16	SPT 16 MOB 33	BSP 1	60	22	32

Male thread plug with valve
Verschlussnippel mit Aussengewinde



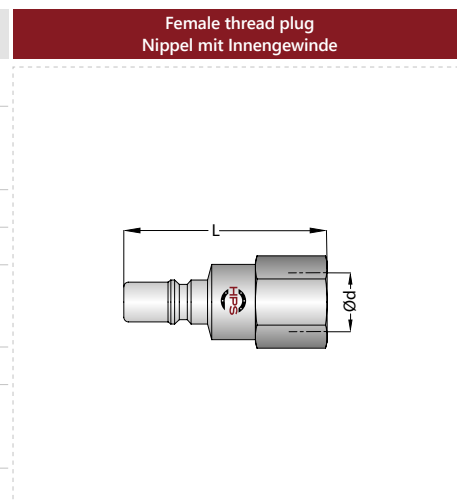
Size		Ød	L	L1	HEX
6	SPT 06 MRB 13	BSPT 1/4	45	12	17
	SPT 06 MTB 13	NPT 1/4	46	13	17
9	SPT 09 MRB 13	BSPT 1/4	50	12	19
	SPT 09 MRB 17	BSPT 3/8	48	12	19
	SPT 09 MRB 21	BSPT 1/2	51	17	22
	SPT 09 MTB 13	NPT 1/4	52	13	19
12	SPT 09 MTB 17	NPT 3/8	48	12	19
	SPT 12 MRB 17	BSPT 3/8	59	12	24
	SPT 12 MRB 21	BSPT 1/2	63	16	24
	SPT 12 MTB 17	NPT 3/8	59	13	24
16	SPT 12 MTB 21	NPT 1/2	62	16	24
	SPT 16 MRB 26	BSPT 3/4	81	19	32
	SPT 16 MTB 26	NPT 3/4	81	19	32

Cylindrical male thread shut-off plug with sealing O-Ring /
Verschlussnippel mit zylindrischem Aussengewinde und O-Ring

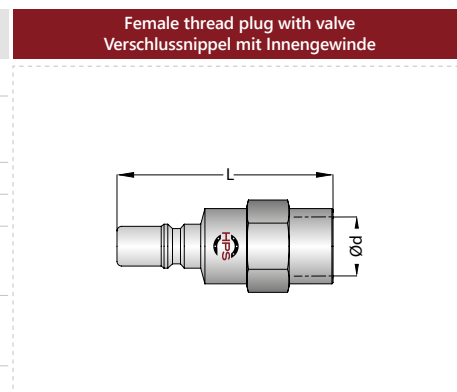


Size		Ød	L	L1	HEX
6	SPT 06 MMB 10	BSP 1/8	43	7	17
	SPT 06 MMB 13	BSP 1/4	45	9	17
9	SPT 09 MMB 13	BSP 1/4	48	9	19
	SPT 09 MMB 17	NPT 3/8	47	9	20
	SPT 09 MMB 21	BSP 1/2	48	12	24
12	SPT 12 MMB 17	BSP 3/8	60	11	24
	SPT 12 MMB 21	BSP 1/2	60	12	24
	SPT 12 MMB 26	BSP 3/4	59	14	32
16	SPT 16 MMB 26	BSP 3/4	81	14	32

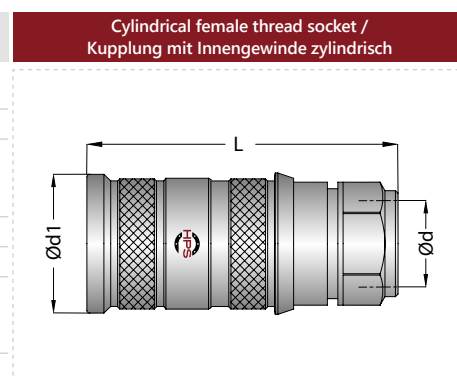
Size		$\text{\O}d$	L	HEX
6	SPT 06 MFF 13	BSP 1/4	34	17
	SPT 06 MNF 13	NPT 1/4	36	17
9	SPT 09 MFF 13	BSP 1/4	37	21
	SPT 09 MFF 17	BSP 3/8	37	21
	SPT 09 MNF 13	NPT 1/4	37	21
12	SPT 09 MNF 17	NPT 3/8	37	21
	SPT 12 MFF 17	BSP 3/8	39	21
	SPT 12 MFF 21	BSP 1/2	45	27
16	SPT 12 MNF 21	NPT 1/2	47	27
	SPT 16 MFF 26	BSP 3/4	61	32
	SPT 16 MNF 26	NPT 3/4	61	32



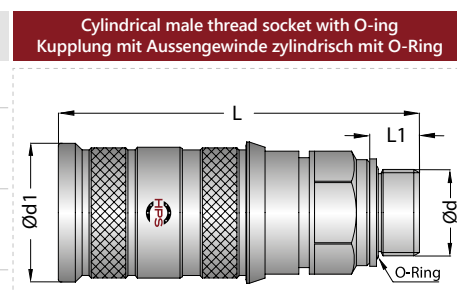
Size		$\text{\O}d$	L	HEX
6	SPT 06 MFB 13	BSP 1/4	47	17
	SPT 06 MNB 13	NPT 1/4	47	17
9	SPT 09 MFB 13	BSP 1/4	49	19
	SPT 09 MFB 17	BSP 3/8	49	21
	SPT 09 MNB 13	NPT 1/4	49	19
12	SPT 09 MNB 17	NPT 3/8	49	21
	SPT 12 SFB 21	BSP 1/2	63	27
	SPT 12 SNB 21	NPT 1/2	65	27
16	SPT 16 SFB 26	BSP 3/4	81	32
	SPT 16 SNB 26	NPT 3/4	81	32

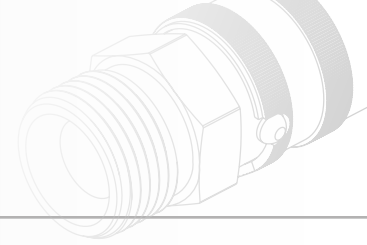


Size	With Valve / Mit Ventil	$\text{\O}d$	$\text{\O}d1$	L	HEX
20	SPT 20 FFB 26	BSP 3/4	54	119	41
	SPT 20 FFB 33	BSP 1	54	120	41
	SPT 20 FNB 33	NPT 1	54	120	41
25	SPT 25 FFB 33	BSP 1	60	142	50
	SPT 25 FFB 42	BSP 1-1/4	60	142	50
	SPT 25 FNB 33	NPT 1	60	142	50
38	SPT 25 FNB 42	NPT 1-1/4	60	142	50
	SPT 38 FFB 48	BSPT 1-1/2	81	151	60
	SPT 38 FFB 60	BSP 2	81	155	70

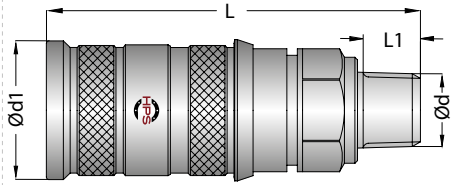


Size	With Valve / Mit Ventil	$\text{\O}d$	$\text{\O}d1$	L	L1	HEX
20	SPT 20 FOB 26	BSP 3/4	54	130	16	60
	SPT 20 FOB 33	BSP 1	54	131	17	70
25	SPT 25 FOB 33	BSP 1	60	142	19	50
	SPT 25 FOB 42	BSP 1-1/4	60	142	19	50
38	SPT 38 FOB 48	BSP 1-1/2	75	164	22	70
	SPT 38 FOB 60	BSP 2	75	164	22	70



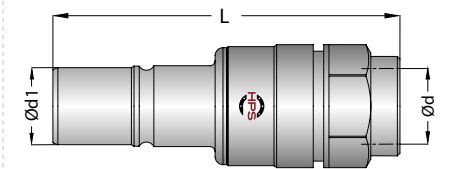


**NPT male thread socket
Kupplung mit Aussengewinde NPT**



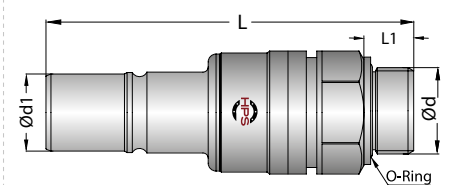
Size	With Valve / Mit Ventil	Ød	Ød1	L	L1	HEX
20	SPT 20 FTB 33	NPT 1	54	136	22	42
25	SPT 25 FTB 42	NPT 1-1/4	60	144	22	50
38	SPT 38 FTB 48	NPT 1-1/2	75	164	24	70
38	SPT 38 FTB 60	NPT 2	75	166	26	70

**Cylindrical female thread plug with valve
Verschlussnippel mit Innengewinde zylindrisch**



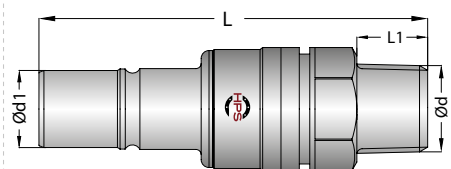
Size	With Valve / Mit Ventil	Ød	Ød1	L	HEX
20	SPT 20 MFB 26	BSP 3/4	29.5	126	41
	SPT 20 MFB 33	BSP 1	29.5	127	41
	SPT 20 MNB 26	NPT 3/4	29.5	126	41
	SPT 20 MNB 33	NPT 1	29.5	127	41
25	SPT 25 MFB 33	BSP 1	34.5	149	50
	SPT 25 MFB 42	BSP 1-1/4	34.5	149	50
	SPT 25 MNB 33	NPT 1	34.5	149	50
	SPT 25 MNB 42	NPT 1-1/4	34.5	149	50
38	SPT 38 MFB 48	BSP 1-1/2	46.5	158	60
	SPT 38 MFB 60	BSP 1	46.5	160	70

**Cylindrical male thread plug with valve
Verschlussnippel mit Aussengewinde zylindrisch**



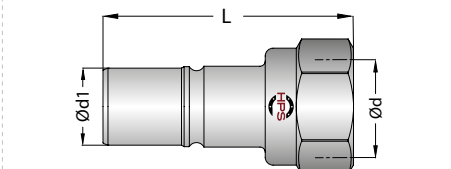
Size	With Valve / Mit Ventil	Ød	Ød1	L	L1	HEX
20	SPT 20 MOB 26	BSP 3/4	29.5	138	16	41
	SPT 20 MOB 33	BSP 1	29.5	139	17	41
25	SPT 25 MOB 33	BSP 1	34.5	150	19	50
	SPT 25 MOB 42	BSP 1-1/4	34.5	150	19	50
	SPT 25 MOB 48	BSP 1-1/2	34.5	153	22	55

**NPT male thread plug with valve
Verschlussnippel mit Aussengewinde NPT**

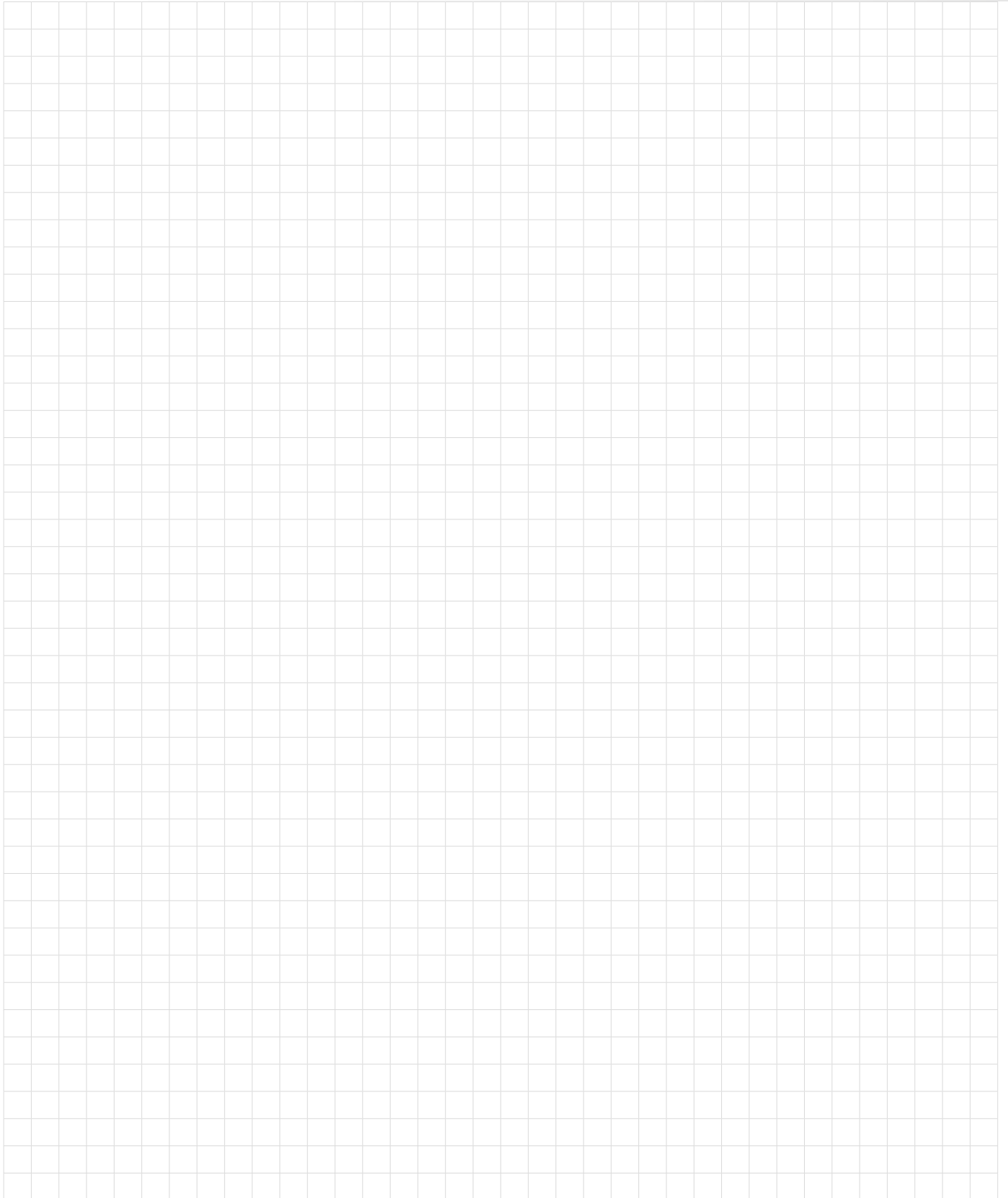


Size	With Valve / Mit Ventil	Ød	Ød1	L	L1	HEX
20	SPT 20 MTB 33	NPT 1	29.5	146	24	42
25	SPT 25 MTB 48	NPT 1-1/2	34.5	156	24	50

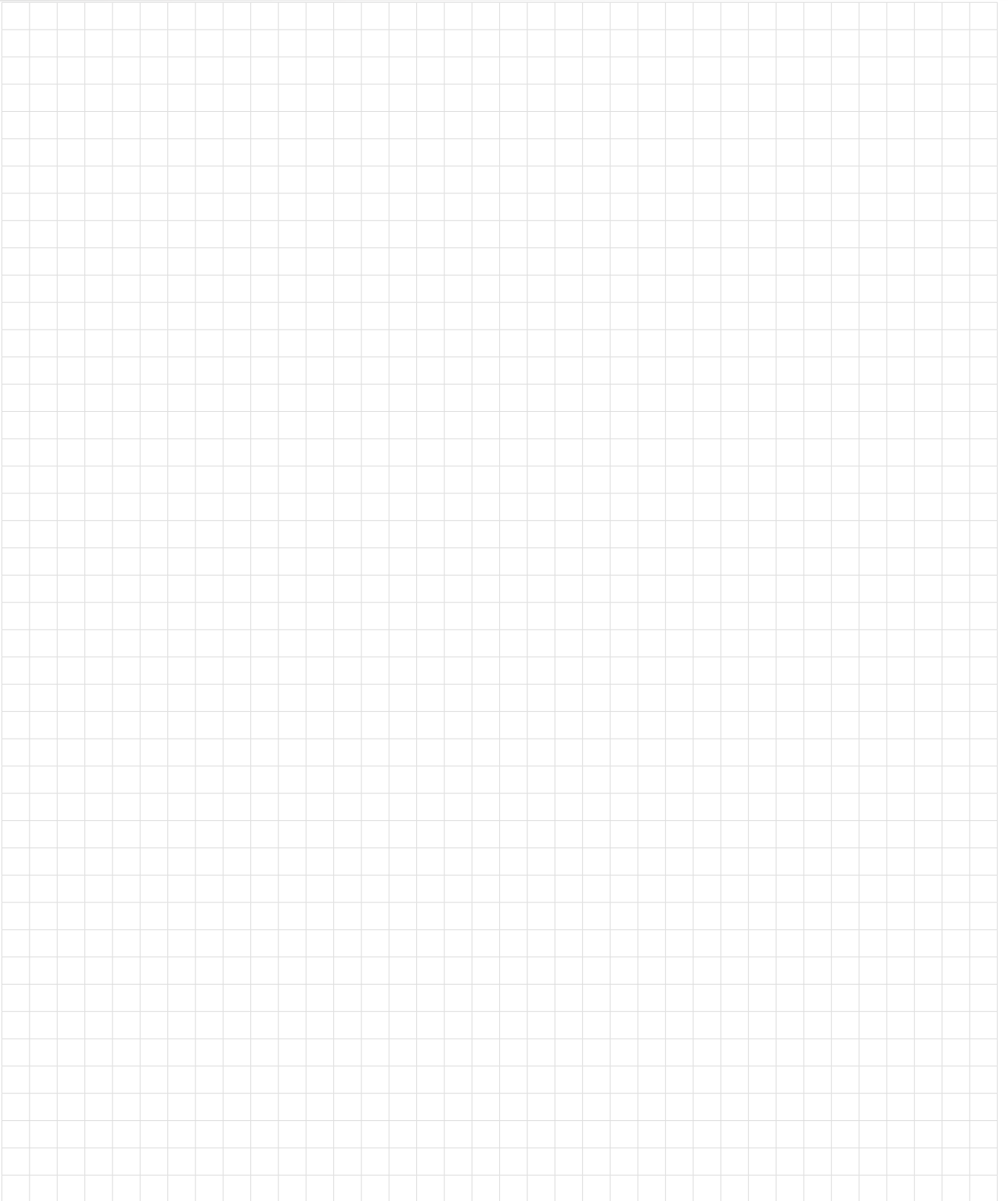
**Cylindrical female thread plug /
Nippel mit Innengewinde zylindrisch**



Size	Without Valve Ohne Ventil	Ød	Ød1	L	HEX
20	SPT 20 MFF 33	BSP 1	29.5	92	41
25	SPT 25 MFF 33	BSP 1	34.5	100	41
25	SPT 25 MFF 42	BSP 1-1/4	34.5	108	50
25	SPT 25 MFF 48	BSP 1-1/2	34.5	108	55



NOTES





SHF
High Flow Flat-Face



MONOCOUPPLINGS FOR

HYDRAULICS

SHF, leak-free hydraulic couplings with residual pressure relief valve for demanding applications
SHF, leakagefreie Hydraulikkupplungen mit Restdruckentlastungsventil für anspruchsvolle Anwendungen



Characteristics / Eigenschaften

Non spill - flat face	Leckagefrei, flachdichtend
Optimized flow characteristics	Optimierter Durchfluss
One-hand connection	Einhandbedienung
Low pressure drop	Geringer Druckabfall

Safe and quick locking Schnelle und sichere Verriegelung

Depending on the size, the balls provide a reliable locking. The locking sleeve is ergonomically designed - thanks to this properties IHF series become a comfortable and safe quick connecting and disconnecting coupling system.

Je nach Größe sorgen die Kugeln für eine zuverlässige Verriegelung. Die Verriegelungshülse ist ergonomisch gestaltet. Dank diesen Eigenschaften wird die IHF-Serie zu einem komfortablen Schnellkupplungssystem und garantiert sicheres Ein- und Auskuppeln.



Pressure relief valve / Druckentlastungsventil

Reducing of the residual pressure by a integrated pressure relief valve in the socket or plug.	Der Abbau des Restdrucks erfolgt über integriertes Druckentlastungsventil in der Kupplung oder im Nippel.
--	---

SHF
HIGH FLOW FLAT-FACE

SERIES SHF

HYDRAULIC

-- PROFILE SHF --

OPTIONS / OPTIONEN

- Color coding / Farbkodierung R / B
- pressure relief valve / Druckentlastungsventil P

USING AREAS / EINSATZBEREICHE

- Testing units / Prüfstände
- Injection moulding / Kunststoffindustrie
- Cores / Kernzüge

Materials

Body Socket	Stainless steel
Body Plug	Hardened stainless steel
Sleeve	Hardened steel
Valve	Stainless steel
Spring	Stainless steel
Balls	Stainless steel
Seals	Nitrile (N)

Materialien

Kupplungskörper	Edelstahl
Stecker	Edelstahl gehärtet
Hülse	Gehärteter Stahl
Ventil	Edelstahl
Feder	Edelstahl
Kugeln	Edelstahl
Dichtungen	Nitril (N)



Temperature range / Temperaturbereich

Nitril (NBR)	N	- 20 °C +100 °C
Fluor Carbon (FPM)	V	- 10 °C +180 °C

Please note the operating instructions for hydraulic couplings / Bitte Gebrauchsanweisung für Hydraulikkupplungen beachten !!

SHF 07 SHF 08 IHF 11 SHF 12



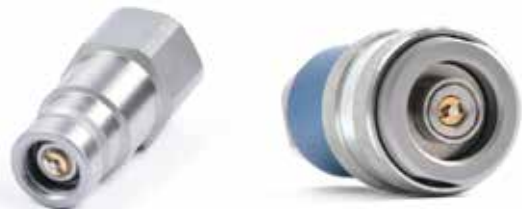
Flow Size
Nennweiten mm

7	8	11	12
---	---	----	----

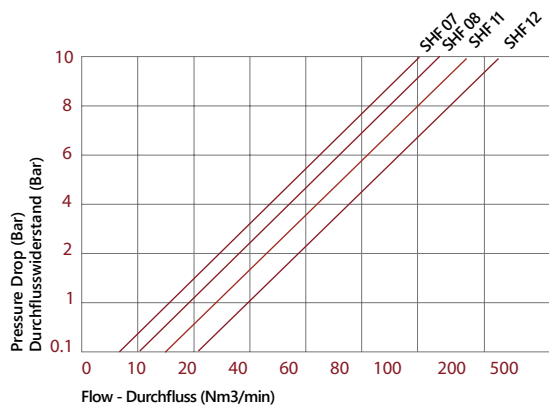


Pressure
Druck bar

450	450	350	350
-----	-----	-----	-----



HPS Serie SHF Flow Rate vs Pressure Drop Graph / Durchflussrate vs Druckabfall



Size		Ød	Ød1	L1	HEX	Female thread socket / Kupplung mit Innengewinde
7	SHF 07 FFB 17	BSP 3/8	31.5	58	25	
8	SHF 08 FFB 21	BSP 1/2	39	59.5	30	
11	SHF 11 FFB 21	BSP 1/2	39	72	30	
12	SHF 12 FFB 26	BSP 3/4	50	72	41	

Size		Ød	Ød1	L1	HEX	Female thread plug / Nippel mit Innengewinde
7	SHF 07 MFB 17	BSP 3/8	18	50.3	22	
8	SHF 08 MFB 21	BSP 1/2	22.8	63	30	
11	SHF 11 MFB 21	BSP 1/2	22.8	63	30	
12	SHF 12 MFB 26	BSP 3/4	30.8	74	36	



TFF
Ultra Flow Flat-Face



MONOCOUPPLINGS FOR

FLUIDS

TFF, leak-free fluid couplings for demanding low pressure application
TFF, das leckagefreie Kupplungssystem für anspruchsvolle Niederdruckerwendungen

11 flow sizes - 11 Nennweiten

Characteristics / Eigenschaften

Non spill - flat face	Leckagefrei, flachdichtend
Optimized flow characteristics	Optimierter Durchfluss
Ergonomic design	Ergonomisches Design
Lange flow size range	Große Nennweiten
Available in stainless steel	In Edelstahl erhältlich



Safe and quick locking Schnelle und sichere Verriegelung

Depending on the size, the balls provide a reliable locking. The locking sleeve is ergonomically designed - thanks to this properties TFF series become a comfortable and safe quick connecting and disconnecting coupling system.

Je nach Größe sorgen die Kugeln für eine zuverlässige Verriegelung. Die Verriegelungshülse ist ergonomisch gestaltet. Dank diesen Eigenschaften wird die TFF-Serie zu einem komfortablen Schnellkupplungssystem und garantiert sicheres Ein- und Auskuppeln.



ULTRA FLOW FLAT FACE

TFF

ULTRA FLOW FLAT FACE

-- PROFILE TFF --

Options / Optionen

- Color coding / Farbkodierung **R / B**
- Stainless Steel / Edelstahl **VA**
- High Temperature FFKM **W**
- Hochtemperatur Dichtungen FFKM

Using areas / Einsatzbereiche

- On thermo regulation / Temperirung
- Injection moulding / Kunststoffindustrie
- Heating oil / Wärmeträgeröl
- Steam lines / Dampfanwendungen
- Blow molding / Blasformen

Materials

Body Socket	Brass
Body Plug	Stainless Steel
Sleeve	Brass
Valve	Brass
Locking Ring	Stainless Steel
Spring	Stainless Steel
Balls	Stainless Steel
Seals	FPM (V)

Materialien

Kupplungskörper	Messing
Stecker	Edelstahl
Hülse	Edelstahl
Ventil	Messing
Sprengring	Edelstahl
Feder	Edelstahl
Kugeln	Edelstahl
Dichtungen	FPM (V)

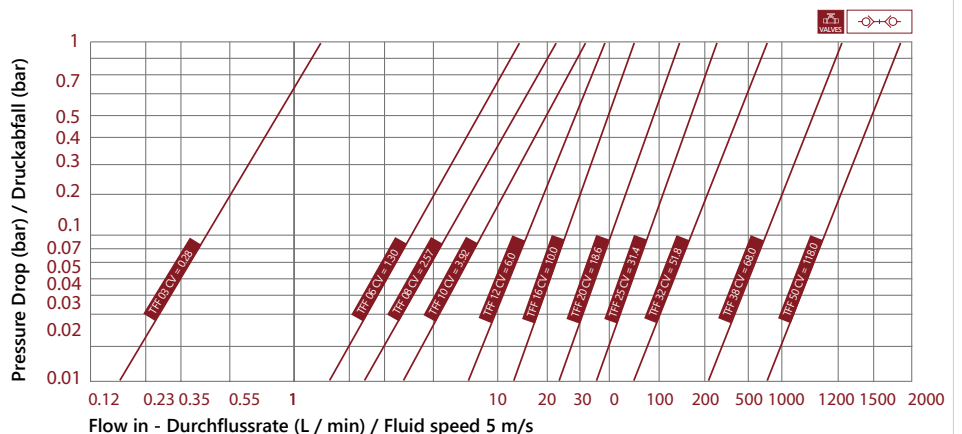


		Temperature range / Temperaturbereich
Nitril (NBR)	N	- 15 °C +100 °C
Fluor Carbon (FPM)	V	- 20 °C +180 °C
Ethylen-Propylen (EPDM)*	E	- 20 °C +150 °C
Perfluor-Elastomer (FFKM)**	W	0 °C +270 °C

*EPDM seals cannot be used with mineral oils and fats. / *EPDM-Dichtungen sind nicht bei mineralischen Ölen und Fetten einsetzbar.
 **Stainless steel is recommended from 220 °C. / **Ab 220 °C wird Edelstahl empfohlen.

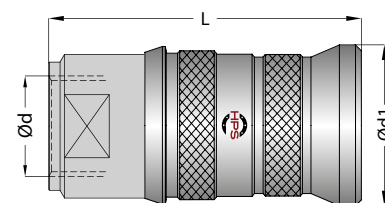
	TFF 03	TFF 06	TFF 08	TFF 10	TFF 12	TFF 16	TFF 20	TFF 25	TFF 32	TFF 38	TFF 50
Flow Size Nennweiten mm	3	6	8	10	12	16	20	25	32	38	50
Pressure Druck bar	60	60	60	60	60	60	60	40	25	20	15

HPS Serie TFF Flow Rate vs Pressure Drop Graph / Durchflussrate und Druckabfall



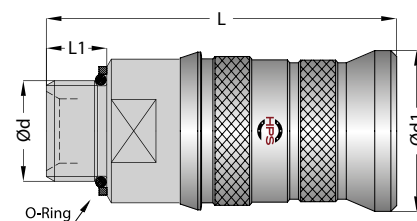
Size		Ød	Ød1	L	HEX
3	TFF 03 FFB 10	BSP 1/8	16	40	13
	TFF 03 FNB 10	NPT 1/8	16	40	13
6	TFF 06 FFB 13	BSP 1/4	22	43	30
	TFF 06 FNB 13	NPT 1/4	22	43	30
8	TFF 08 FFB 13	BSP 1/4	26.5	43	22
	TFF 08 FNB 13	NPT 1/4	26.5	43	22
	TFF 08 FFB 17	BSP 3/8	26.5	43	22
	TFF 08 FNB 17	NPT 3/8	26.5	43	22
10	TFF 10 FFB 17	BSP 3/8	30	54	25
	TFF 10 FNB 17	NPT 3/8	30	54	25
12	TFF 12 FFB 21	BSP 1/2	35	56	30
	TFF 12 FNB 21	NPT 1/2	35	56	30
16	TFF 16 FFB 26	BSP 3/4	42	81	35
	TFF 16 FNB 26	NPT 3/4	42	83	35
20	TFF 20 FFB 33	BSP 1	56	117	50
	TFF 20 FNB 33	NPT 1	56	117	50
25	TFF 25 FFB 33	BSP 1	64	119	50
	TFF 25 FNB 33	NPT 1	64	119	50
	TFF 25 FFB 42	BSP 1-1/4	64	119	50
	TFF 25 FNB 42	NPT 1-1/4	64	119	50
32	TFF 32 FFB 42	BSP 1-1/4	79	116	50
	TFF 32 FNB 42	NPT 1-1/4	79	116	50
	TFF 32 FFB 48	BSP 1-1/2	79	116	50
	TFF 32 FNB 48	NPT 1-1/2	79	116	50
38	TFF 38 FFB 48	BSP 1-1/2	93	135	60
	TFF 38 FNB 48	NPT 1-1/2	93	135	60
	TFF 38 FFB 60	BSP 2	93	142	75
	TFF 38 FNB 60	NPT 2	93	142	75
50	TFF 50 FFB 60	BSP 2	118	178	75
	TFF 50 FNB 60	NPT 2	118	178	75
	TFF 50 FFB 75	BSP 2-1/2	118	178	90
	TFF 50 NB 75	NPT 2-1/2	118	178	90

Female thread socket / Kupplung mit Innengewinde

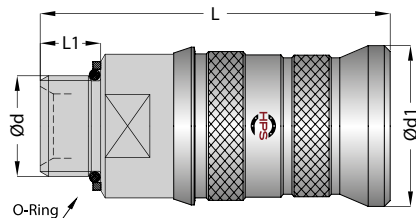


Size		Ød	Ød1	L	L1	HEX
3	TFF 03 FMB 10	BSP 1/8	16	39	7	14
6	TFF 06 FMB 13	BSP 1/4	22	43	10	19
	TFF 06 FMB 17	BSP 3/8	22	43	10	20
8	TFF 08 FMB 13	BSP 1/4	26.5	43	10	22
	TFF 08 FMB 17	BSP 3/8	26.5	44	11	22
10	TFF 10 FMB 17	BSP 3/8	29	52	11	25
	TFF 10 FMB 21	BSP 1/2	29	53	12	25
12	TFF 12 FMB 17	BSP 3/8	35	54	11	30
	TFF 12 FMB 21	BSP 1/2	35	55	12	30
16	TFF 16 FMB 21	BSP 1/2	42	80	12	35
	TFF 16 FMB 26	BSP 3/4	42	83	16	35

Male thread socket / Kupplung mit Aussengewinde

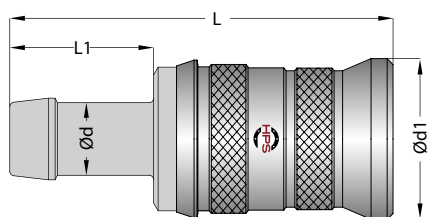


Male thread Socket
Kupplung mit Aussengewinde



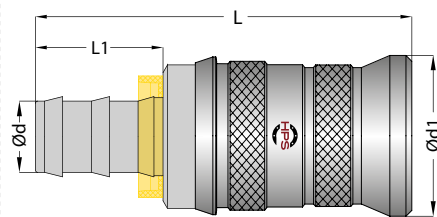
Size	Icon	Ød	Ød1	L	L1	HEX	
20		TFF 20 FMB 26	BSP 3/4	56	114	16	50
		TFF 20 FMB 33	BSP 1	56	117	19	50
25		TFF 25 FMB 33	BSP 1	64	128	19	55
		TFF 25 MFB 42	BSP 1-1/4	64	128	19	55
32		TFF 32 MFB 42	BSP 1-1/4	79	126	19	55
		TFF 32 MFB 48	BSP 1-1/2	79	129	22	60
38		TFF 38 MFB 48	BSP 1-1/2	93	139	22	60
		TFF 38 MFB 60	BSP 2	93	140	23	65
50		TFF 50 MFB 60	BSP 2	118	177	23	75
		TFF 50 MFB 75	BSP 2-1/2	118	184	25	90

Standard hose tail socket
Kupplung mit Standard Schlauchtülle


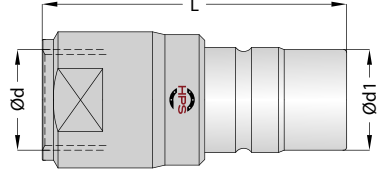




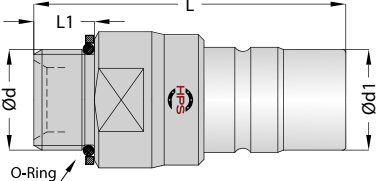
Size	Icon	Ød	Ød1	L	L1	
3		TFF 03 FHB 03	3 mm	16	50	18
		TFF 03 FHB 06	6 mm	16	55	23
6		TFF 06 FHB 06	6 mm	22	56	23
		TFF 06 FHB 08	8 mm	22	56	23
8		TFF 08 FHB 08	8 mm	26.5	58	23
		TFF 08 FHB 10	10 mm	26.5	58	23
10		TFF 10 FHB 10	10 mm	30	65	23
		TFF 10 FHB 12	12 mm	30	70	28
12		TFF 12 FHB 12	12 mm	35	69	28
		TFF 12 FHB 16	16 mm	35	69	28
16		TFF 16 FHB 16	16 mm	42	91	28
		TFF 16 FHB 19	19 mm	42	97	33

Clampless hose tail socket
Kupplung mit Schnellsteck Schlauchtülle



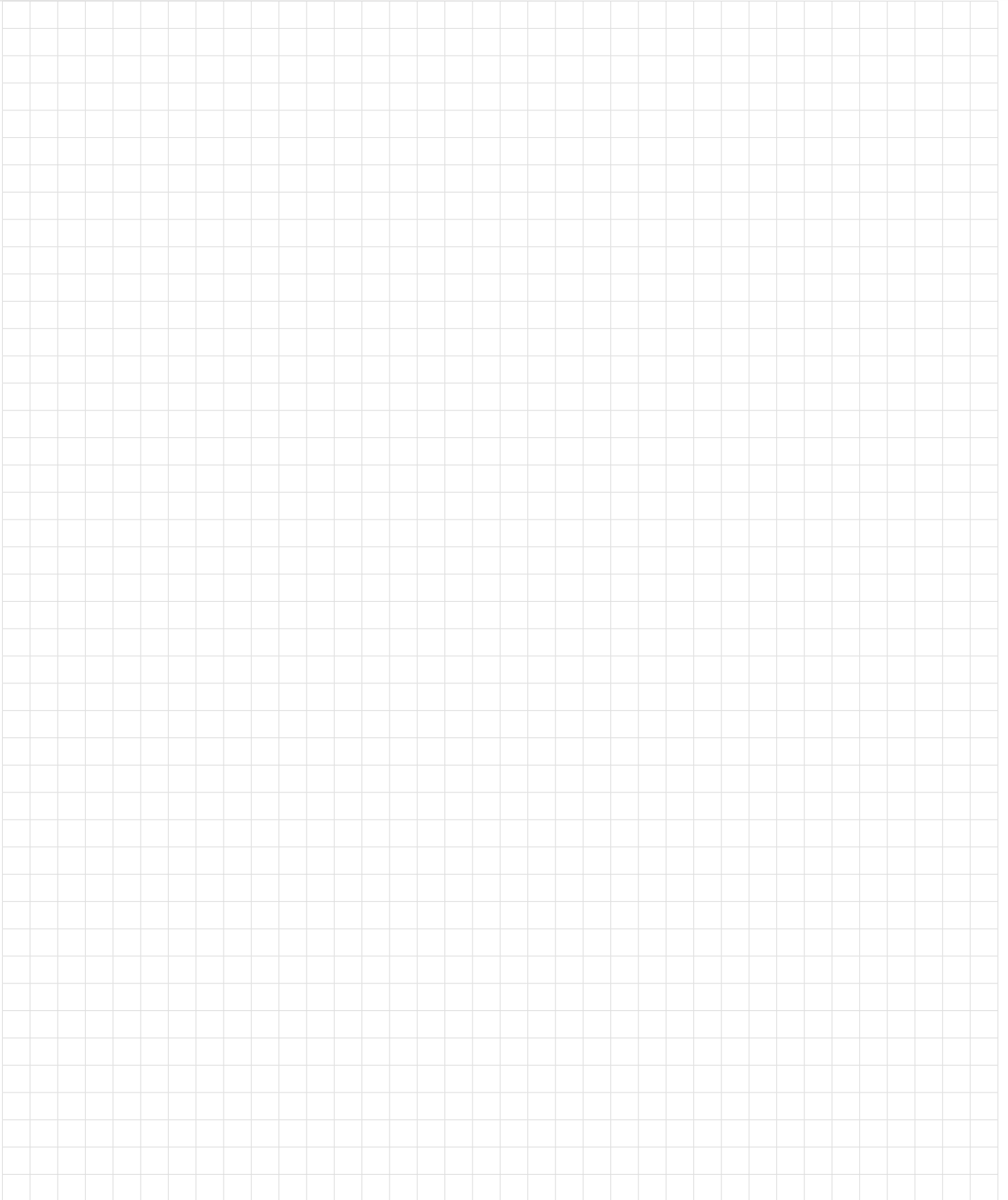
Size	Icon	Ød	Ød1	L	L1	
6		6 mm	22	57	24	
8		TFF 08 FPB 08	8 mm	26.5	59	24
		TFF 08 FPB 10	10 mm	26.5	59	28
10		TFF 10 FPB 10	10 mm	30	66	24
		TFF 10 FPB 13	13 mm	30	71	28
12		TFF 12 FPB 13	13 mm	35	69	28
		TFF 12 FPB 16	16 mm	35	69	28
16		TFF 16 FPB 16	16 mm	42	92	28
		TFF 16 FPB 19	19 mm	42	102	38

Size		Ød	Ød1	L	HEX	Female thread plug Nippel mit Innengewinde
3	TFF 03 MFB10	BSP 1/8	7.7	32.5	13	
	TFF 03 MNB 10	NPT 1/8	7.7	32.5	13	
6	TFF 06 MFB 13	BSP 1/4	11.7	44	17	
	TFF 06 MNB 13	NPT 1/4	11.7	44	17	
8	TFF 08 MFB 13	BSP 1/4	14.3	53	17	
	TFF 08 MNB 13	NPT 1/4	14.3	53	17	
	TFF 08 MFB 17	BSP 3/8	14.3	53	17	
	TFF 08 MNB 17	NPT 3/8	14.3	53	17	
10	TFF 10 MFB 17	BSP 3/8	17.5	64	25	
	TFF 10 MNB 17	NPT 3/8	17.5	64	25	
12	TFF 12 MFB 21	BSP 1/2	20.5	68	30	
	TFF 12 MNB 21	NPT 1/2	20.5	68	30	
16	TFF 16 MFB 26	BSP 3/4	27	73	35	
	TFF 16 MNB 26	NPT 3/4	27	75	35	
20	TFF 20 MFB 33	BSP 1	34	98	41	
	TFF 20 MNB 33	NPT 1	34	99	41	
25	TFF 25 MFB 33	BSP 1	41.5	97	50	
	TFF 25 MNB 33	NPT 1	41.5	98	50	
	TFF 25 MFB 42	BSP 1-1/4	41.5	97	50	
	TFF 25 MNB 42	NPT 1-1/4	41.5	98	50	
32	TFF 32 MFB 42	BSP 1-1/4	53	102	50	
	TFF 32 MNB 42	NPT 1-1/4	53	102	50	
	TFF 32 MFB 48	BSP 1-1/2	53	104	60	
	TFF 32 MNB 48	NPT 1-1/2	53	104	60	
38	TFF 38 MFB 48	BSP 1-1/2	66	112	60	
	TFF 38 MNB 48	NPT 1-1/2	66	112	60	
	TFF 38 MFB 60	BSP 2	66	116	75	
	TFF 38 MNB 60	NPT 2	66	116	75	
50	TFF 50 MFB 60	BSP 2	82.5	144	75	
	TFF 50 MNB 60	NPT 2	82.5	144	75	
	TFF 50 MFB 75	BSP 2-1/2	82.5	147	90	
	TFF 50 MNB 75	NPT 2-1/2	82.5	147	90	

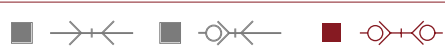
Male thread plug with O-Ring / Nippel mit Aussengewinde und O-Ring		 Size		Ød	Ød1	L	L1	HEX
	3	TFF 03 FMB 10	BSP 1/8	7.7	32	7	13	
	6	TFF 06 FMB 13	BSP 1/4	11.7	45	10	17	
	8	TFF 08 FMB 13	BSP 1/4	14.3	52	10	22	
		TFF 08 FMB 17	BSP 3/8	14.3	53	11	22	
	10	TFF 10 FMB 17	BSP 3/8	17.5	61	11	25	
		TFF 10 FMB 21	BSP 1/2	17.5	62	12	25	
	12	TFF 12 FMB 17	BSP 3/8	20.5	66	11	30	
		TFF 12 FMB 21	BSP 1/2	20.5	67	12	30	
	16	TFF 16 FMB 21	BSP 1/2	27	69	12	35	
		TFF 16 FMB 26	BSP 3/4	27	73	16	35	
	20	TFF 20 FMB 26	BSP 3/4	34	92	16	41	
		TFF 20 FMB 33	BSP 1	34	95	19	41	
	25	TFF 25 FMB 33	BSP 1	41.5	102	19	50	
		TFF 25 FMB 42	BSP 1-1/4	41.5	102	19	50	
	32	TFF 32 FMB 42	BSP 1 1/4	53	110	19	55	
		TFF 32 FMB 48	BSP 1-1/2	53	113	22	60	
38	TFF 38 FMB 48	BSP 1 1/2	66	122	22	60		
	TFF 38 FMB 60	BSP 2	66	128	23	70		
50	TFF 50 FMB 60	BSP 2	82.5	151	23	75		
	TFF 50 FMB 75	BSP 2-1/2	82.5	153	25	90		

Size		Ød	Ød1	L	L1	Standard hose tail plug Nippel mit Standard Schlauchtülle
3	TFF 03 MHB 03	3 mm	7.7	43	18	
	TFF 03 MHB 06	6 mm	7.7	48	23	
6	TFF 06 MHB 06	6 mm	11.7	58	23	
	TFF 06 MHB 08	8 mm	11.7	58	23	
8	TFF 08 MHB 08	8 mm	14.3	64	23	
	TFF 08 MHB 10	10 mm	14.3	64	23	
10	TFF 10 MHB 10	10 mm	17.5	75	23	
	TFF 10 MHB 12	12 mm	17.5	80	28	
12	TFF 12 MHB 12	12 mm	20.5	81	28	
	TFF 12 MHB 16	16 mm	20.5	81	28	
16	TFF 16 MHB 16	16 mm	27	84	28	
	TFF 16 MHB 19	19 mm	27	89	33	

Size		Ød	Ød1	L	L1	Clampless hose tail plug Nippel mit Schnellsteck Schlauchtülle
6	TFF 06 MPB 10	10 mm	11.7	59	24	
8	TFF 08 MPB 08	8 mm	14.3	65	24	
	TFF 08 MPB 10	10 mm	14.3	65	28	
10	TFF 10 MPB 10	10 mm	17.5	75	23	
	TFF 10 MPB 13	13 mm	17.5	80	28	
12	TFF 12 MPB 13	13 mm	20.5	81	28	
	TFF 12 MPB 16	16 mm	20.5	81	28	
16	TFF 16 MPB 16	16 mm	27	85	28	
	TFF 16 MPB 19	19 mm	27	95	38	



PROFILE TYPES



EHC



Flow Size / Nennweiten

EHC 08 - 08 mm
EHC 10 - 10 mm



Number of Connections / Anschlüsse

EHC 08 - 6
EHC 10 - 6



Pressure / Druck

0 - 200 bar



Temperature range / Temperaturbereich

-5°C +200°C FPM (V)

SPECIFICATIONS / EIGENSCHAFTEN

Tool set-up optimization through central locking
Avoidance of mistakes through fixed hoses on the plates
Many connection options

Rüstzeitoptimierung durch zentrale Verriegelung
Fehlervermeidung durch feste Anordnung der Schläuche auf den Platten
Viele Anschlussmöglichkeiten

OPTIONS / OPTIONEN

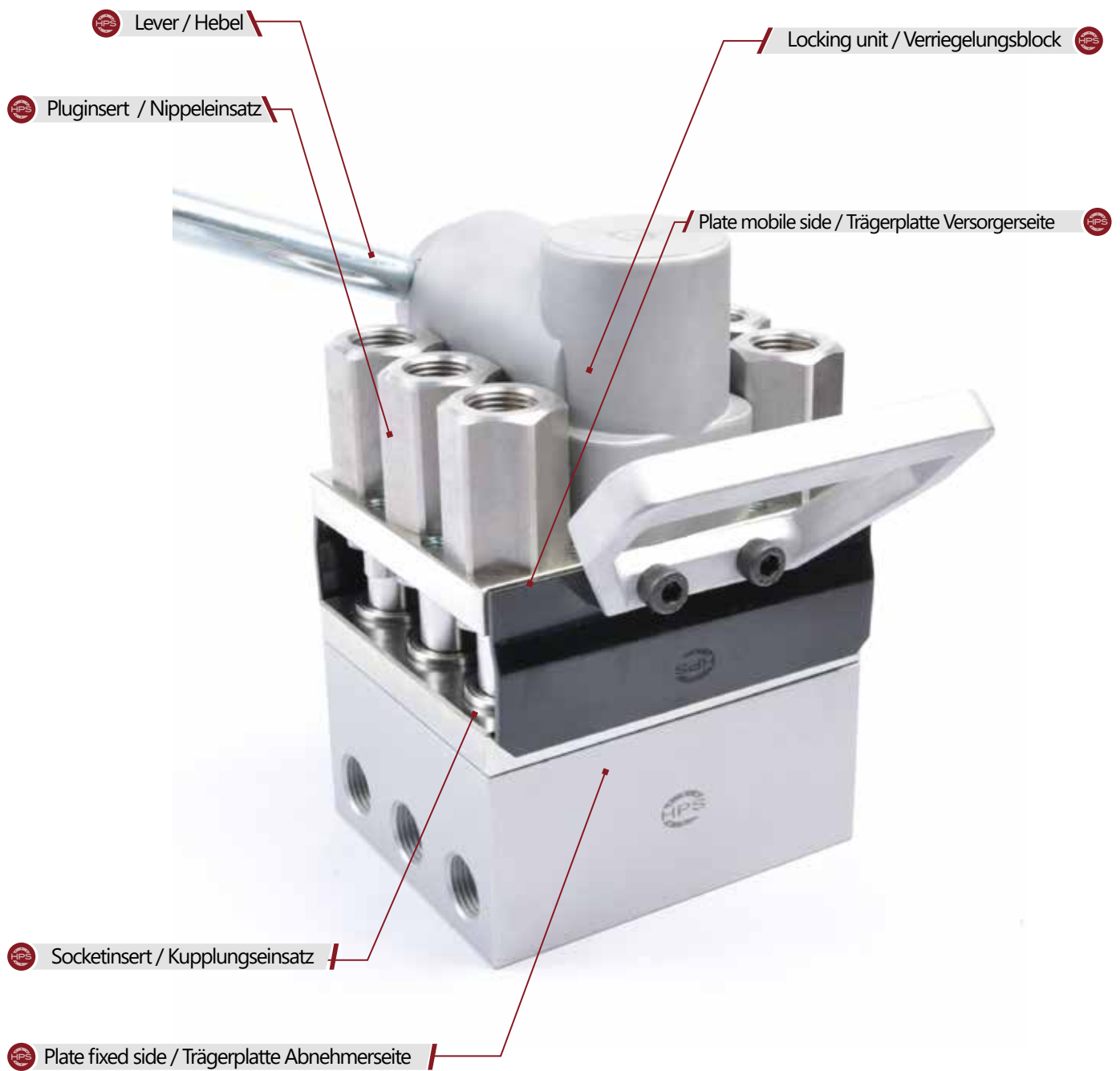
Color coding on the plates
Screw option

Farbkodierung der Platten
Spindel Variante

USING AREAS / EINSATZBEREICHE

Injection moulding
Die casting
Test benches

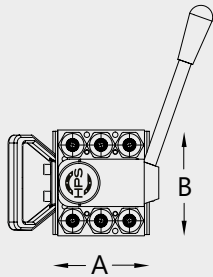
Kunststoffspritzguss
Alu Druckguss
Prüfstände



Multicoupling Series EHC - Multikupplung Serie EHC

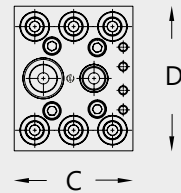
Dimensions - Abmessungen

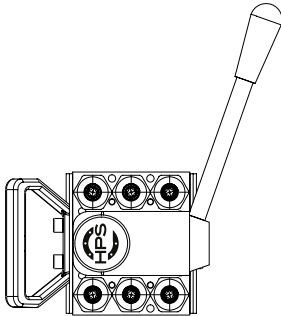
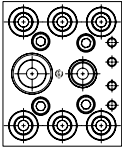
Machine side - Maschinenseite



Flow Size / Nennweite 8mm

Fixed side - Werkzeugseite



Machine Side	Mold Side	A	B	C	D	n	DN
		110	134	110	134	6	8

Multicoupling Series EHC - Multikupplung Serie EHC

Machine Side Item Codes - Maschinenseite Artikelnummer



PS EHC 08 - C - X

PS Press side / Maschinenseite

EHC EHC profile / EHC Profil

08 Flow size / Nennweite

C Connections / Anschlüsse

6 3 Circuits / 3 Kreisläufe

X Pluginsert / Nippelersatz



Plug with valve / Nippelersatz mit Ventil

MFB 17 Female thread BSP 3/8" / Innengewinde BSP 3/8"

MFB 21 Female thread BSP 1/2" / Innengewinde BSP 1/2"

MNB 17 Female thread NPT 3/8" / Innengewinde NPT 3/8"

MNB 21 Female thread NPT 1/2" / Innengewinde NPT 1/2"

Multicoupling Series EHC - Multikupplung Serie EHC

Mold Side Item Codes - Werkzeugseite Artikelnummer

MS EHC 08 C X



Socketinsert / Kupplungseinsatz **X**

Connections / Anschlüsse **C**

12 3 Circuits / 6 Kreisläufe

Flow size / Nennweite **08**

EHC profile / EHC Profil **EHC**

Mold side / Werkzeugseite **MS**



Socket with valve / Kupplungseinsatz mit Ventil

FFB 17 Female thread BSP 3/8" / Innengewinde BSP 3/8"

i

FFB 21 Female thread BSP 1/2" / Innengewinde BSP 1/2"



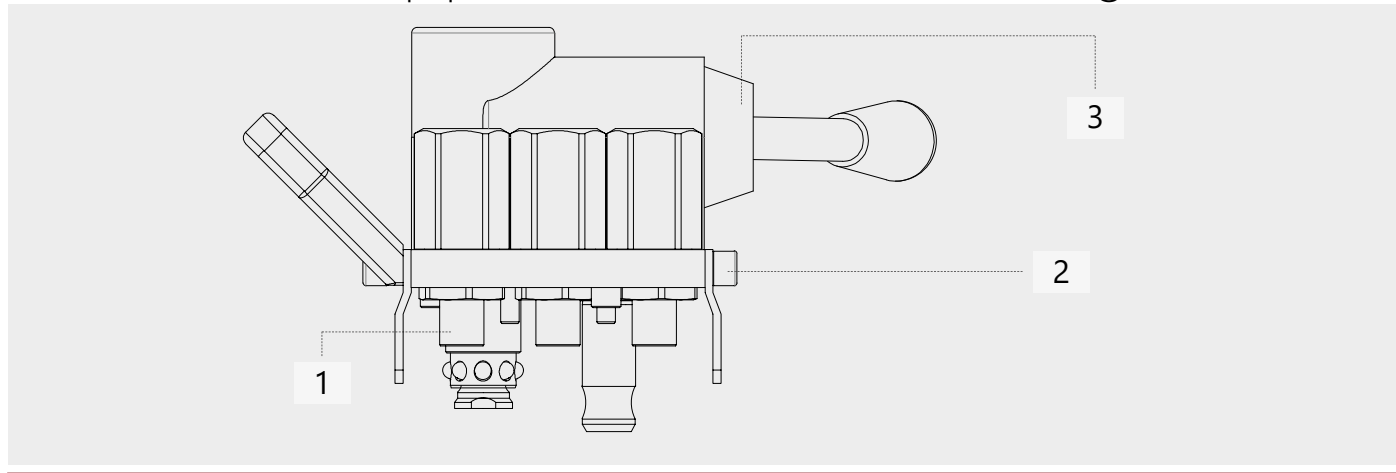
FNB 17 Female thread NPT 3/8" / Innengewinde NPT 3/8"

n

FNB 21 Female thread NPT 1/2" / Innengewinde NPT 1/2"

Multicoupling Series EHC - Multikupplung Serie EHC

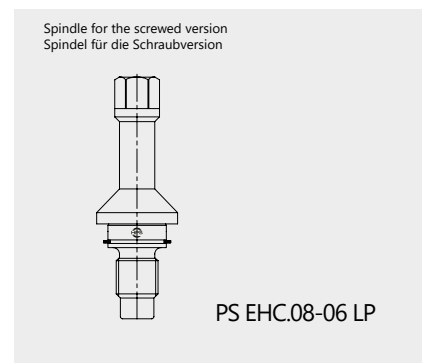
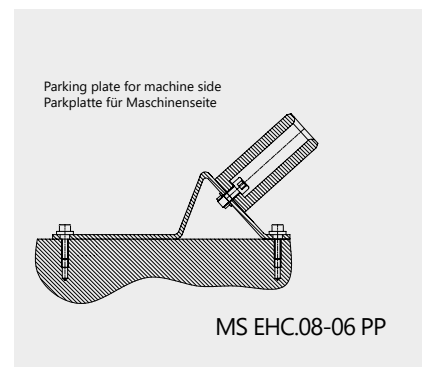
Machine Side Item Equipment - Maschinenseite Bestückung



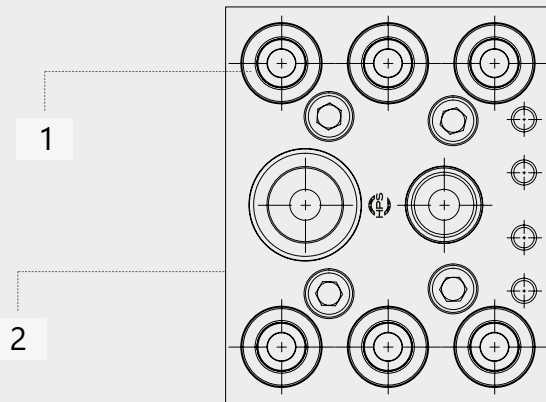
Assemblies Baugruppen		Description / Beschreibung
	PS EHC.08-6 MFB 17	Female thread BSP 3/8" Innengewinde BSP 3/8"
	PS EHC.08-6 MFB 21	Female thread BSP 1/2" Innengewinde BSP 1/2"
	PS EHC.08-6 MNB 17	Female thread NPT 3/8" Innengewinde NPT 3/8"
PS EHC.08-6 MNB 21	Female thread NPT 1/2" Innengewinde NPT 1/2"	

Connections Anschlüsse	Scheme Schema
6	

Spare parts / Einzelteile	N		Description / Beschreibung	
	1	M EHC.08 MFB 17	Plug with female thread BSP 3/8" Nippel mit Innengewinde BSP 3/8"	
		M EHC.08 MFB 21	Plug with female thread BSP 1/2" Nippel mit Innengewinde BSP 1/2"	
		M EHC.08 MNB 17	Plug with female thread NPT 3/8" Nippel mit Innengewinde NPT 3/8"	
		M EHC.08 MNB 21	Plug with female thread NPT 1/2" Nippel mit Innengewinde NPT 1/2"	
		Description / Beschreibung		
2	PS EHC.08-06	Machine side only with locking unit for 6 connections Maschinenseite für 6 Anschlüsse mit Verriegelungseinheit		
3	L-UNIT BG7	Locking unit size 7 Verriegelungseinheit Baugröße 7		



Multicoupling Series EHC - Multikupplung Mold Side Item Equipment - Werkzeugseite Bestückung



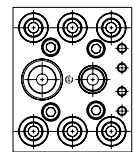
Assemblies
Baugruppen

		Description / Beschreibung
MS EHC.08-6 FFB 17		Female thread BSP 3/8" Innengewinde BSP 3/8"
MS EHC.08-6 FFB 21		Female thread BSP 1/2" Innengewinde BSP 1/2"
MS EHC.08-6 FNB 17		Female thread NPT 3/8" Innengewinde NPT 3/8"
MS EHC.08-6 FNB 21		Female thread NPT 1/2" Innengewinde NPT 1/2"

Connections
Anschlüsse

Schema
Schema

6

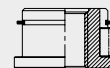


Spare parts / Einzelteile

N		Description / Beschreibung
1	M EHC.08. FAB 00	Socket for assembly Einbaukupplung

		Description / Beschreibung
2	MS EHC.08-06 F17	Mold side for 6 connections without sockets (female BSP 3/8" Werkzeugseite für 6 Anschlüsse ohne Kupplungen (Innengewinde BSP 3/8")
	MS EHC.08-06 F21	Mold side for 6 connections without sockets (female BSP 1/2" Werkzeugseite für 6 Anschlüsse ohne Kupplungen (Innengewinde BSP 1/2")
	MS EHC.08-06 N17	Mold side for 6 connections without sockets (female NPT 3/8" Werkzeugseite für 6 Anschlüsse ohne Kupplungen (Innengewinde NPT 3/8")
	MS EHC.08-06 N21	Mold side for 6 connections without sockets (female NPT 1/2" Werkzeugseite für 6 Anschlüsse ohne Kupplungen (Innengewinde NPT 1/2")

Bush for the screwed version
Buchse für die Schraubversion

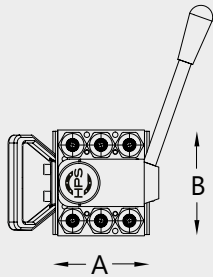


MS EHC.08-06 LN

Multicoupling Series EHC - Multikupplung Serie EHC

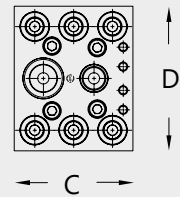
Dimensions - Abmessungen

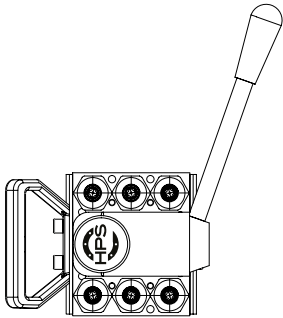
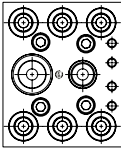
Machine side - Maschinenseite



Flow Size / Nennweite 8mm

Fixed side - Werkzeugseite



Machine Side	Mold Side	A	B	C	D	n	DN
		110	134	110	134	6	8

Multicoupling Series EHC - Multikupplung Serie EHC

Machine Side Item Codes - Maschinenseite Artikelnummer



PS EHC 10 - C - X

PS Press side / Maschinenseite

EHC EHC profile / EHC Profil

10 Flow size / Nennweite

C Connections / Anschlüsse

6 3 Circuits / 3 Kreisläufe

X Pluginsert / Nippelinsert



Plug with valve / Nippelinsert mit Ventil

n **MFB 17** Female thread BSP 3/8" / Innengewinde BSP 3/8"

MFB 21 Female thread BSP 1/2" / Innengewinde BSP 1/2"



MNB 17 Female thread NPT 3/8" / Innengewinde NPT 3/8"

MNB 21 Female thread NPT 1/2" / Innengewinde NPT 1/2"

Multicoupling Series EHC - Multikupplung Serie EHC

Mold Side Item Codes - Werkzeugseite Artikelnummer

MS EHC 10 C X



Socketinsert / Kupplungseinsatz **X**

Connections / Anschlüsse **C**

12 3 Circuits / 6 Kreisläufe

Flow size / Nennweite **10**

EHC profile / EHC Profil **EHC**

Mold side / Werkzeugseite **MS**



Socket with valve / Kupplungseinsatz mit Ventil

FFB 17 Female thread BSP 3/8" / Innengewinde BSP 3/8"

FFB 21 Female thread BSP 1/2" / Innengewinde BSP 1/2"

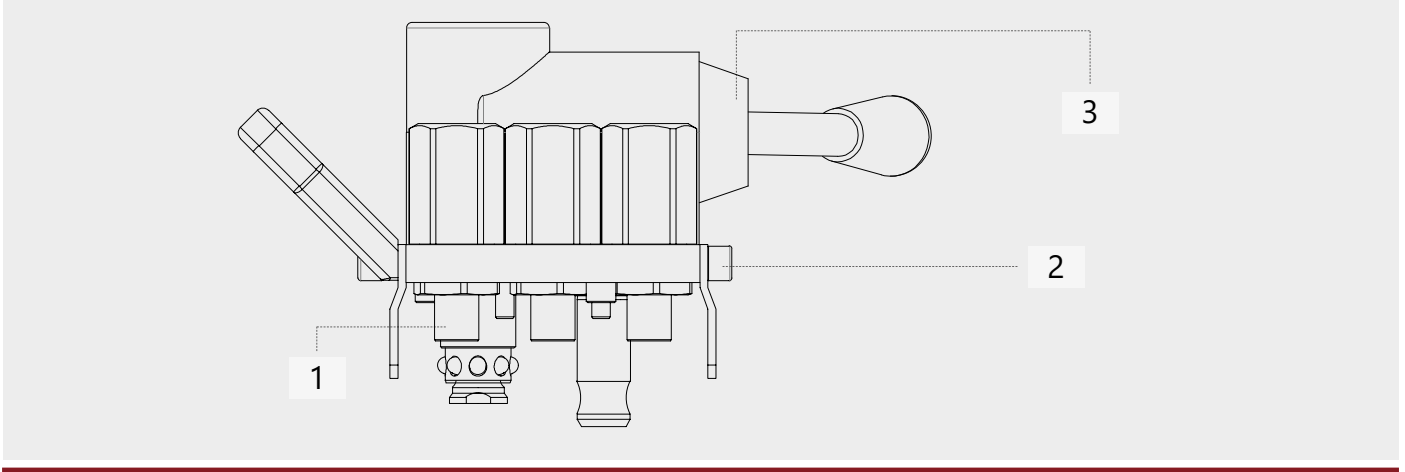
FNB 17 Female thread NPT 3/8" / Innengewinde NPT 3/8"

FNB 21 Female thread NPT 1/2" / Innengewinde NPT 1/2"



Multicoupling Series EHC - Multikupplung Serie EHC

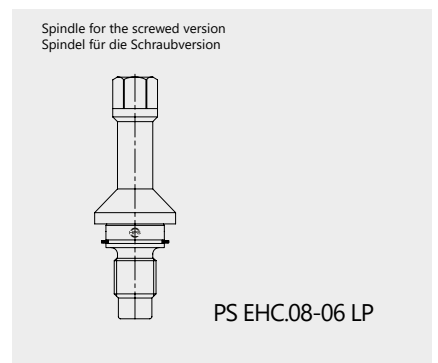
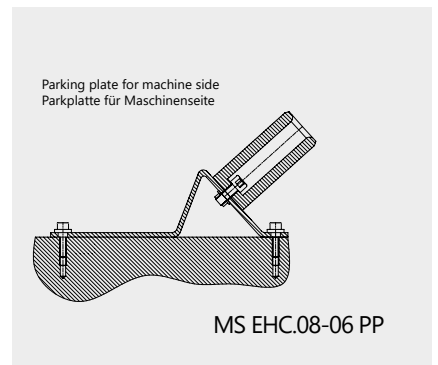
Machine Side Item Equipment - Maschinenseite Bestückung



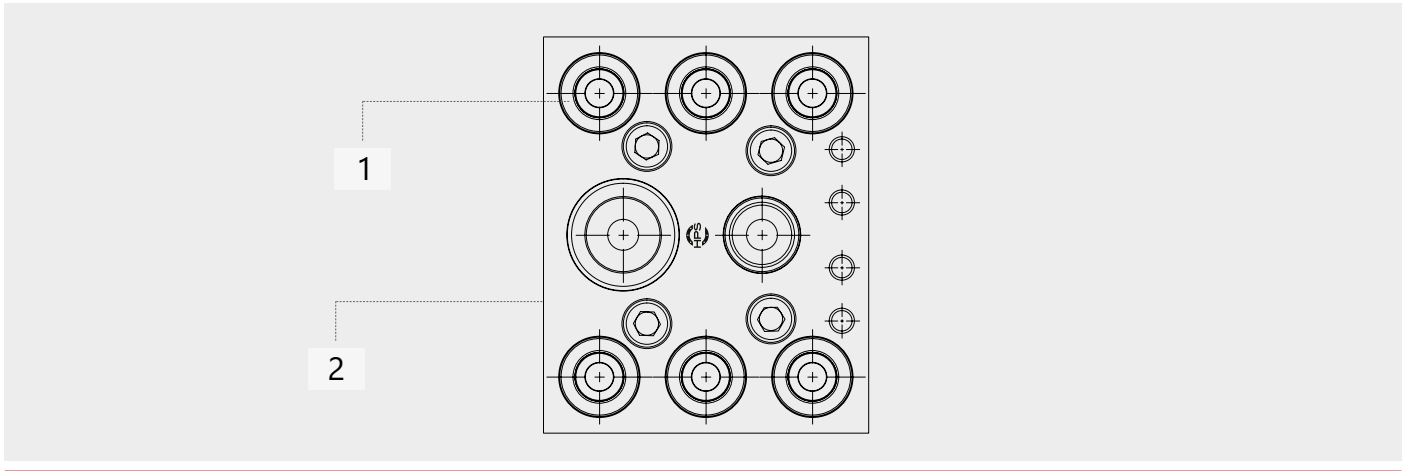
Assemblies Baugruppen			Description / Beschreibung
	PS EHC.10-6 MFB 17		Female thread BSP 3/8" Innengewinde BSP 3/8"
	PS EHC.10-6 MFB 21		Female thread BSP 1/2" Innengewinde BSP 1/2"
	PS EHC.10-6 MNB 17		Female thread NPT 3/8" Innengewinde NPT 3/8"
	PS EHC.10-6 MNB 21		Female thread NPT 1/2" Innengewinde NPT 1/2"

Connections Anschlüsse	Scheme Schema
6	

Spare parts / Einzelteile	N			Description / Beschreibung
	1	M EHC.10 MFB 17	Plug with female thread BSP 3/8" Nippel mit Innengewinde BSP 3/8"	
		M EHC.10 MFB 21	Plug with female thread BSP 1/2" Nippel mit Innengewinde BSP 1/2"	
		M EHC.10 MNB 17	Plug with female thread NPT 3/8" Nippel mit Innengewinde NPT 3/8"	
		M EHC.10 MNB 21	Plug with female thread NPT 1/2" Nippel mit Innengewinde NPT 1/2"	
		Description / Beschreibung		
2	PS EHC.08-06	Machine side only with locking unit for 6 connections Maschinenseite für 6 Anschlüsse mit Verriegelungseinheit		
3	L-UNIT BG7	Locking unit size 7 Verriegelungseinheit Baugröße 7		



Multicoupling Series EHC - Multikupplung



**Assembles
Baugruppen**

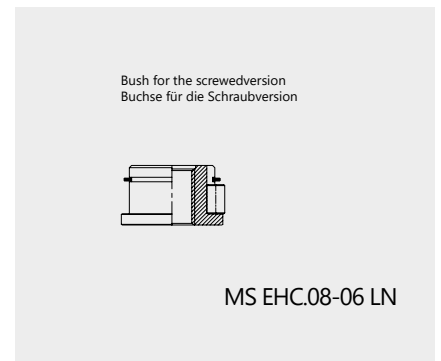
		Description / Beschreibung
MS EHC.10-6 FFB 17		Female thread BSP 3/8" Innengewinde BSP 3/8"
MS EHC.10-6 FFB 21		Female thread BSP 1/2" Innengewinde BSP 1/2"
MS EHC.10-6 FNB 17		Female thread NPT 3/8" Innengewinde NPT 3/8"
MS EHC.10-6 FNB 21		Female thread NPT 1/2" Innengewinde NPT 1/2"

Connections Anschlüsse	Scheme Schema
6	

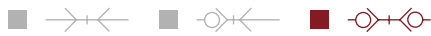
Spare parts / Einzelteile

N		Description / Beschreibung	
1		M EHC.10. FAB 00 Socket for assembly Einbaukupplung	

		Description / Beschreibung
2	MS EHC.10-06 F17	Mold side for 6 connections without sockets (female BSP 3/8") Werkzeugseite für 6 Anschlüsse ohne Kupplungen (Innengewinde BSP 3/8")
	MS EHC.10-06 F21	Mold side for 6 connections without sockets (female BSP 1/2") Werkzeugseite für 6 Anschlüsse ohne Kupplungen (Innengewinde BSP 1/2")
	MS EHC.10-06 N17	Mold side for 6 connections without sockets (female NPT 3/8") Werkzeugseite für 6 Anschlüsse ohne Kupplungen (Innengewinde NPT 3/8")
	MS EHC.10-06 N21	Mold side for 6 connections without sockets (female NPT 1/2") Werkzeugseite für 6 Anschlüsse ohne Kupplungen (Innengewinde NPT 1/2")



PROFILE TYPES



SHC



Flow Size / Nennweiten

SHC 03 - 03 mm
SHC 05 - 05 mm



Number of Connections / Anschlüsse

SHC 03 - 12-16
SHC 05 - 12-16



Pressure / Druck

0 - 100 bar



Temperature range / Temperaturbereich

-5°C +160°C FPM (V)

SPECIFICATIONS / EIGENSCHAFTEN

Tool set-up optimization through central locking
Avoidance of mistakes through fixed hoses on the plates
Many connection options

Rüstzeitoptimierung durch zentrale Verriegelung
Fehlervermeidung durch feste Anordnung der Schläuche auf den Platten
Viele Anschlussmöglichkeiten

OPTIONS / OPTIONEN

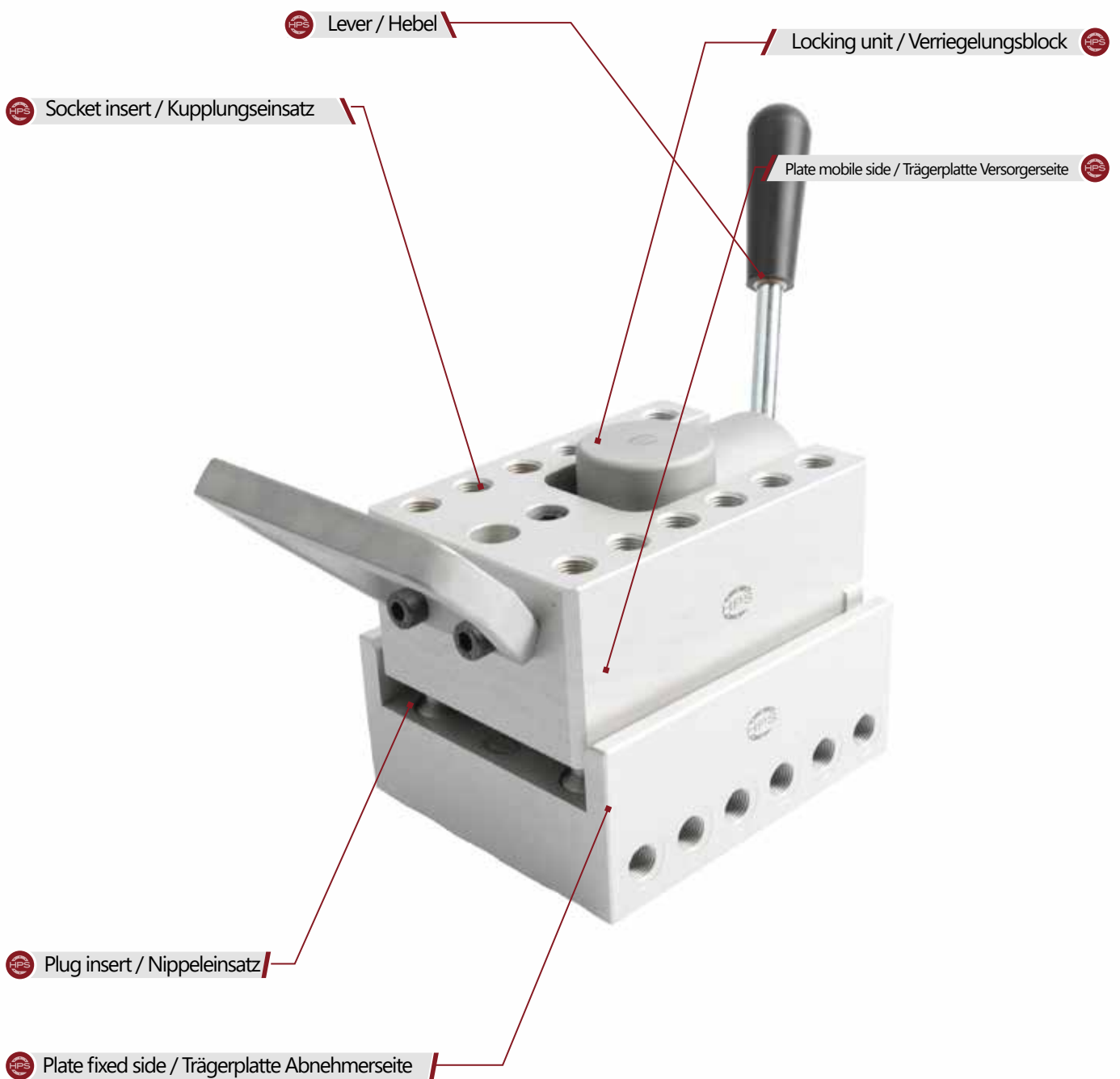
Color coding on the plates
Safety locking unit

Farbkodierung der Platten
Sicherheitsoption für die Verriegelungseinheit

USING AREAS / EINSATZBEREICHE

Cascades
Injection moulding
Die casting
Test benches

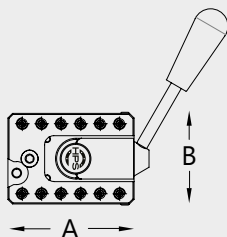
Kaskadensteuerung
Kunststoffspritzguss
Alu Druckguss
Prüfstände



Multicoupling Series SHC - Multikupplung Serie SHC

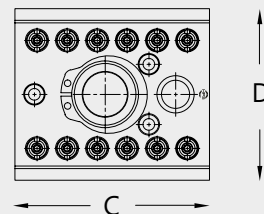
Dimensions - Abmessungen

Machine side - Maschinenseite



Flow Size / Nennweite 3mm

Fixed side - Werkzeugseite



Machine Side	Mold Side	A	B	C	D	n	DN
		110	79	110	97	6	3
		144	79	110	97	8	3

Multicoupling Series SHC - Multikupplung Serie SHC

Machine Side Item Codes - Maschinenseite Artikelnummer



PS SHC 03 - C - X

PS Press side / Maschinenseite

SHC SHC profile / SHC Profil

03 Flow size / Nennweite

C Connections / Anschlüsse

12 6 Circuits / 6 Kreisläufe

16 8 Circuits / 8 Kreisläufe

X Socket insert / Kupplungseinsatz



Socket with valve / Kupplungseinsatz mit Ventil

FFB 10 Female thread BSP 1/8" / Innengewinde BSP 1/8"



FNB 10 Female thread NPT 1/8" / Innengewinde NPT 1/8"

FQB 10 Female thread BSPT 1/8" / Innengewinde BSPT 1/8"

Multicoupling Series SHC - Multikupplung Serie SHC

Mold Side Item Codes - Werkzeugseite Artikelnummer

MS SHC 03 C X



Plug insert / Nippeleinsatz **X**

Connections / Anschlüsse **C**

12 6 Circuits / 6 Kreisläufe

16 8 Circuits / 8 Kreisläufe

Flow size / Nennweite **03**

SHC profile / SHC Profil **SHC**

Mold side / Werkzeugseite **MS**



Plug with valve / Nippeleinsatz mit Ventil

MFB 10 Female thread BSP 1/8" / Innengewinde BSP 1/8"

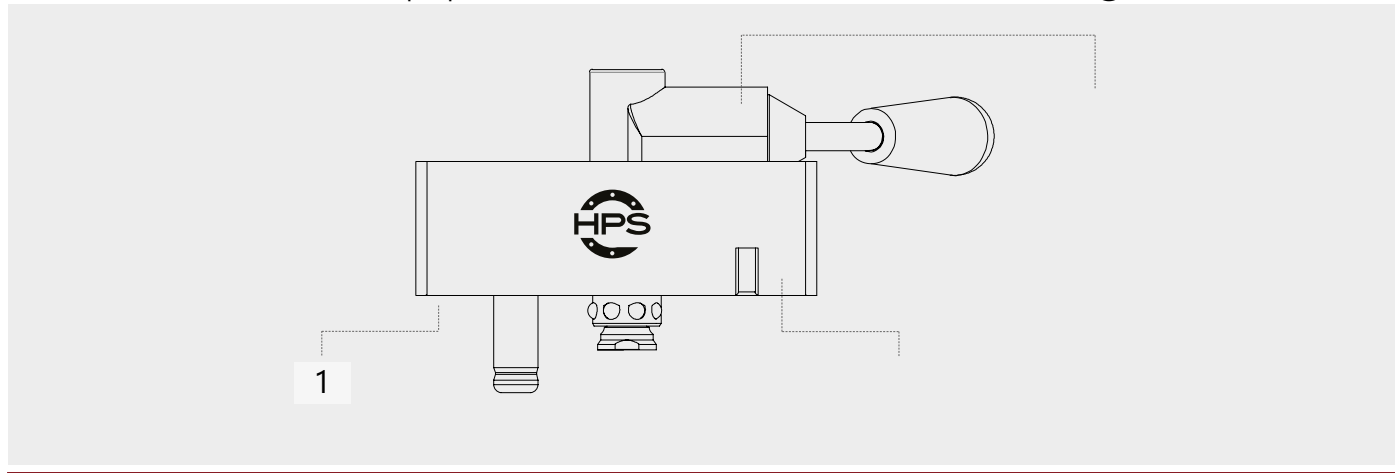


MNB 10 Female thread NPT 1/8" / Innengewinde NPT 1/8"

MQB 10 Female thread BSPT 1/8" / Innengewinde BSPT 1/8"

Multicoupling Series SHC - Multikupplung Serie SHC

Machine Side Item Equipment - Maschinenseite Bestückung



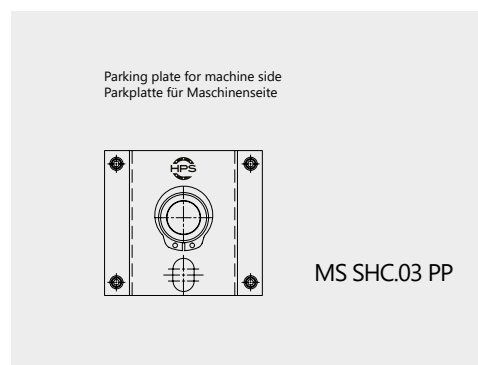
**Assemblies
Baugruppen**

		Description / Beschreibung
PS SHC.03-X FFB 10		Female thread BSP 1/8" Innengewinde BSP 1/8"
PS SHC.03-X FQB 10		Female thread BSPT 1/8" Innengewinde BSPT 1/8"
PS SHC.03-X FNB 10		Female thread NPT 1/8" Innengewinde NPT 1/8"

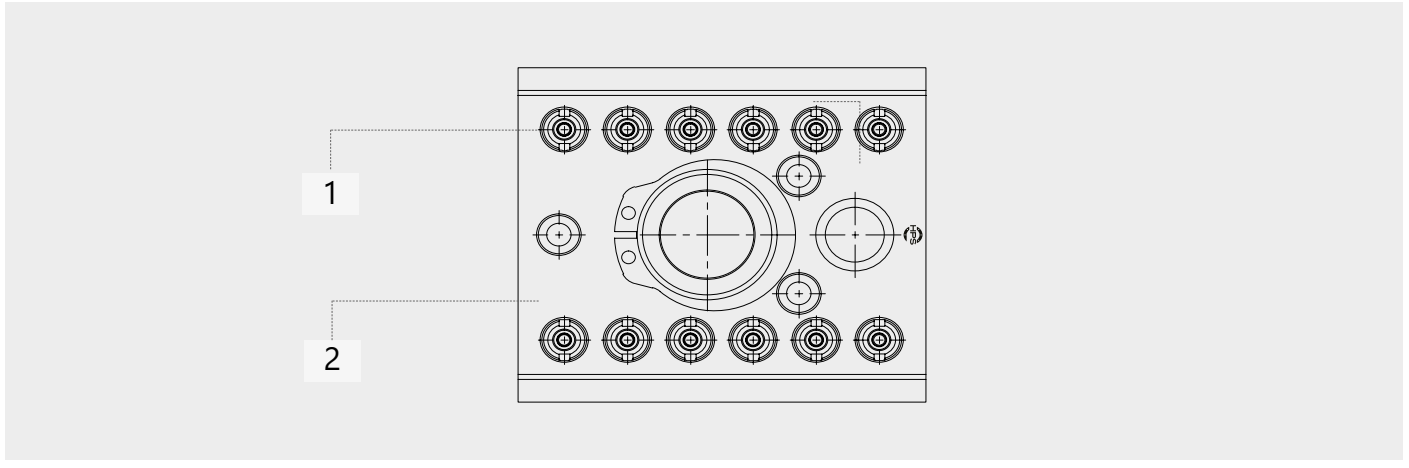
Connections Anschlüsse	Schema Schema
12	
16	

Spare parts / Einzelteile

N		Description / Beschreibung
1	M SHC.03 FAB	Socket for assembly Kupplungseinsetz für den Einbau
Description / Beschreibung		
2	PS SHC.03-12	Machine side only with locking unit for 12 connections Maschinenseite nur mit Verriegelungseinheit für 12 Anschlüsse
	PS SHC.03-16	Machine side only with locking unit for 16 connections Maschinenseite nur mit Verriegelungseinheit für 16 Anschlüsse
3	L-UNIT BG1	Locking unit size 5 for 12 connections Verriegelungseinheit Baugröße 3 für 12 Anschlüsse
	L-UNIT BG1	Locking unit size 5 for 16 connections Verriegelungseinheit Baugröße 4 für 16 Anschlüsse



Multicoupling Series SHC - Multikupplung Mold Side Item Equipment - Werkzeugseite Bestückung



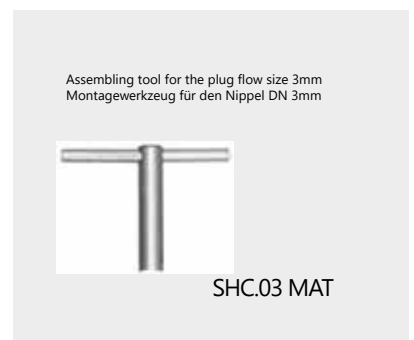
Assemblies
Baugruppen

		Description / Beschreibung
MS SHC.03-X MFB 10		Female thread BSP 1/8" Innengewinde BSP 1/8"
MS SHC.03-X MQB 10		Female thread BSPT 1/8" Innengewinde BSPT 1/8"
MS SHC.03-X MNB 10		Female thread NPT 1/8" Innengewinde NPT 1/8"

Connections Anschlüsse	Schema Schema
12	
16	

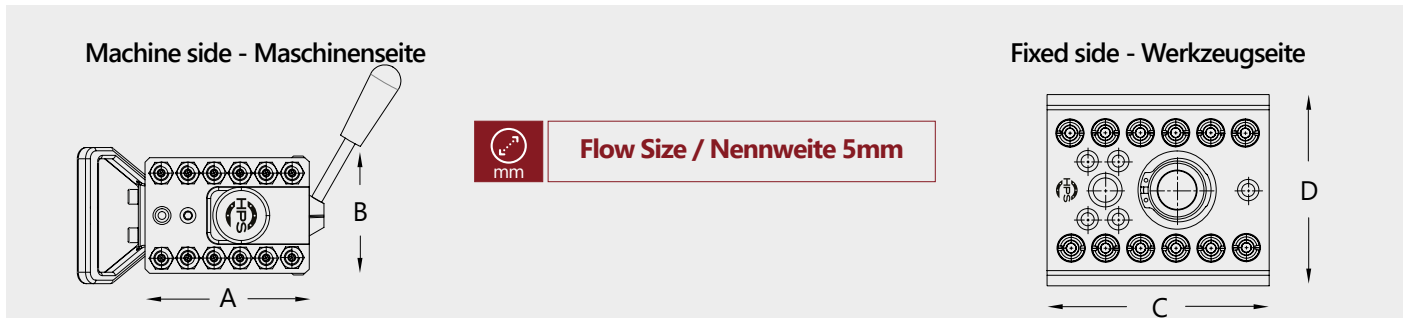
Spare parts
Einzelteile

N		Description / Beschreibung
1	SHC.03 MMB 0810	Plug male thread M14x1,5 Nippel mit Aussengewinde M14x1,5
Description / Beschreibung		
2	MS SHC.03-12	Mold side only with locking bush for 12 connections Werkzeugseite nur mit Verriegelungsbuchse für 12 Anschlüsse
	MS SHC.03-16	Mold side only with locking bush for 16 connections Werkzeugseite nur mit Verriegelungsbuchse für 16 Anschlüsse



Multicoupling Series SHC - Multikupplung Serie SHC

Dimensions - Abmessungen



Machine Side	Mold Side	A	B	C	D	n	DN
		145	102	145	125	6	5
		191	102	191	125	8	5
		168	102	168	125	8	5

Multicoupling Series SHC - Multikupplung Serie SHC

Machine Side Item Codes - Maschinenseite Artikelnummer



PS SHC 05 - C - X

PS Press side / Maschinenseite

SHC SHC profile / SHC Profil

05 Flow size / Nennweite

C Connections / Anschlüsse

12 6 Circuits / 6 Kreisläufe

16 8 Circuits / 8 Kreisläufe

X Socket / Kupplungseinsatz



Socket with valve / Kupplungseinsatz mit Ventil

FFB 13 Female thread BSP 1/4" / Innengewinde BSP 1/4"



FNB 13 Female thread NPT 1/4" / Innengewinde NPT 1/4"

FQB 13 Female thread BSPT 1/4" / Innengewinde BSPT 1/4"

Multicoupling Series SHC - Multikupplung Serie SHC

Mold Side Item Codes - Werkzeugseite Artikelnummer

MS SHC 05 C M



Plug / Nippeleinsatz **M**

Connections / Anschlüsse **C**

12 6 Circuits / 6 Kreisläufe

16 8 Circuits / 8 Kreisläufe

Flow size / Nennweite **05**

SHC profile / SHC Profil **SHC**

Mold side / Werkzeugseite **MS**



Plug with valve / Nippeleinsatz mit Ventil

MFB 13 Female thread BSP 1/4" / Innengewinde BSP 1/4"

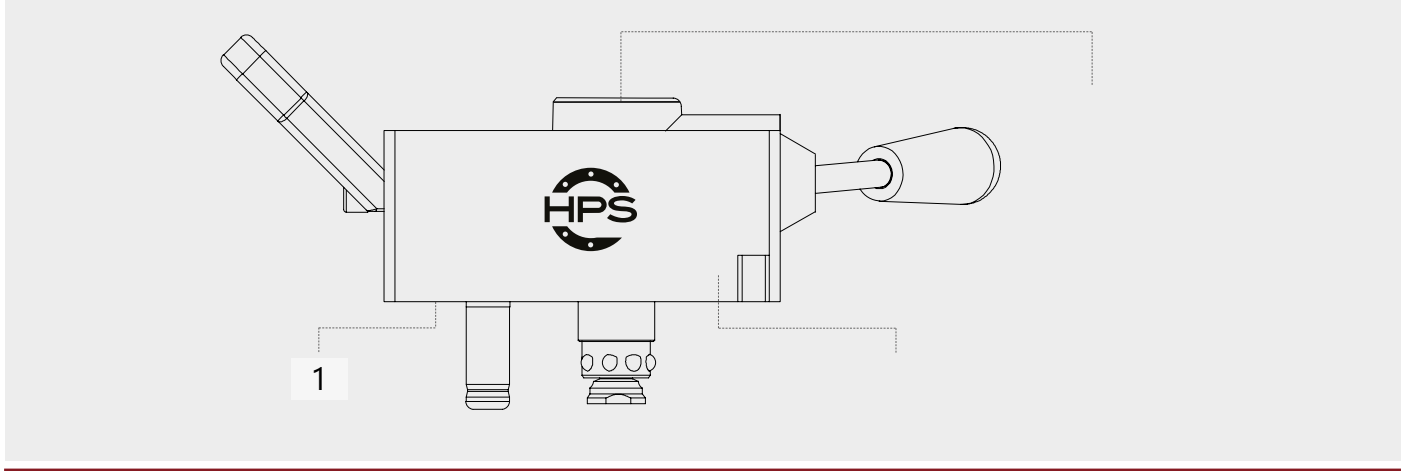


MNB 13 Female thread NPT 1/4" / Innengewinde NPT 1/4"

MQB 13 Female thread BSPT 1/4" / Innengewinde BSPT 1/4"

Multicoupling Series SHC - Multikupplung Serie SHC

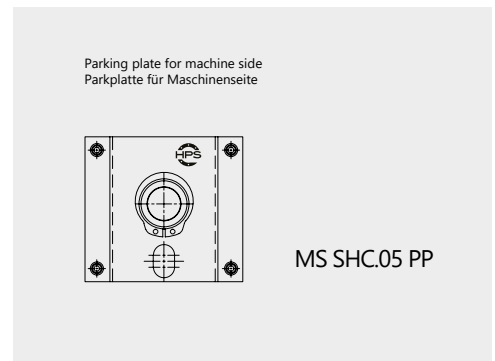
Machine Side Item Equipment - Maschinenseite Bestückung



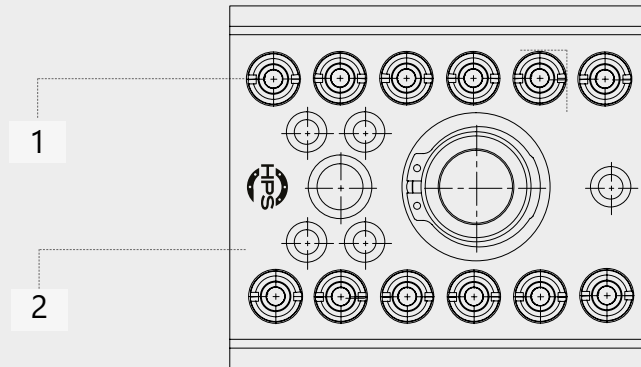
Assemblies Baugruppen			Description / Beschreibung
	PS SHC.05-X FFB 13		Female thread BSP 1/4" Innengewinde BSP 1/4"
	PS SHC.05-X FQB 13		Female thread BSPT 1/4" Innengewinde BSPT 1/4"
	PS SHC.05-X FNB 13		Female thread NPT 1/4" Innengewinde NPT 1/4"

Connections Anschlüsse	Schema Schema
12	
16	
16-01	

Spare parts / Einzelteile	N			Description / Beschreibung
	1	M SHC.05 FAB		Socket for assembly Kupplungseinsatz für den Einbau
	2	Description / Beschreibung		
		PS SHC.05-12		Machine side only with locking unit for 12 connections Maschinenseite nur mit Verriegelungseinheit für 12 Anschlüsse
PS SHC.05-16			Machine side only with locking unit for 16 connections Maschinenseite nur mit Verriegelungseinheit für 16 Anschlüsse	
3	PS SHC.05-16-01		Machine side only with locking unit for 16 connections Maschinenseite nur mit Verriegelungseinheit für 16 Anschlüsse	
	L-UNIT BG5		Locking unit size 5 for 12 and 16-01 connections Verriegelungseinheit Baugröße 5 für 12 und 16-01 Anschlüsse	
	L-UNIT BG6		Locking unit size 6 for 16 connections Verriegelungseinheit Baugröße 6 für 16 Anschlüsse	



Multicoupling Series SHC - Multikupplung Mold Side Item Equipment - Werkzeugseite Bestückung



**Assemblies
Baugruppen**

		Description / Beschreibung
MS SHC.05-X MFB 13		Female thread BSP 1/4" Innengewinde BSP 1/4"
MS SHC.05-X MQB 13		Female thread BSPT 1/4" Innengewinde BSPT 1/4"
MS SHC.05-X MNB 13		Female thread NPT 1/4" Innengewinde NPT 1/4"

Connections Anschlüsse	Schema Schema
12	
16	
16-01	

**Spare parts
Einzelteile**

N		Description / Beschreibung
1	SHC.05 MMB 1415	Plug male thread M14x1,5 Nippel mit Aussengewinde M14x1,5
Description / Beschreibung		
2	MS SHC.05-12	Mold side only with locking bush for 12 connections Werkzeugseite nur mit Verriegelungsbuchse für 12 Anschlüsse
	MS SHC.05-16	Mold side only with locking bush for 16 connections Werkzeugseite nur mit Verriegelungsbuchse für 16 Anschlüsse
	MS SHC.05-16-01	Mold side only with locking bush for 16-01 connections Werkzeugseite nur mit Verriegelungsbuchse für 16-01 Anschlüsse



PROFILE TYPES



APT

EPT

SPT



Flow Size / Nennweiten

APT 06 - 06 mm
APT 09 - 09 mm
APT 15 - 13 mm

EPT 06 - 06 mm
EPT 09 - 09 mm
EPT 13 - 13 mm

SPT 09 - 09 mm
SPT 12 - 12 mm
SPT 16 - 16 mm



Number of Connections / Anschlüsse

APT 06 - 6-20
APT 09 - 6-24
APT 15 - 6-24

EPT 06 - 6-20
EPT 09 - 6-24
EPT 13 - 6-24

SPT 09 - 6-24
SPT 12 - 6-20
SPT 16 - 12



Pressure / Druck

0 - 16 bar



Temperature range / Temperaturbereich

-5°C +160°C FPM (V) (Water / Wasser)
-5°C +200°C FPM (V) (Heating Oil / Wärmeträgeröl)

SPECIFICATIONS / EIGENSCHAFTEN

Tool set-up optimization through central locking
Avoidance of mistakes through fixed position of hoses on the plates
Many connection options
The connectors are compatible with the monocouplings of the respective series (APT / EPT / SPT)

Rüstzeitoptimierung durch zentrale Verriegelung
Fehlervermeidung durch feste Anordnung der Schläuche auf den Platten
Viele Anschlussmöglichkeiten
Die Anschlüsse sind kompatibel mit den Monokupplungen der jeweiligen Serien (APT / EPT / SPT)

OPTIONS / OPTIONEN

Color coding of the plates
Stainless Steel option for plates, connectors and locking unit
High temperature option for connectors
Safety locking unit

Farbkodierung der Platten
Edelstahloption für Platten, Anschlüsse und Verriegelungseinheit
Hochtemperaturoption für die Anschlüsse
Sicherheitsoption für die Verriegelungseinheit

USING AREAS / EINSATZBEREICHE

Thermo regulation
Injection moulding
Die casting
Test benches

Temperierung
Kunststoffspritzguss
Alu Druckguss
Prüfstände

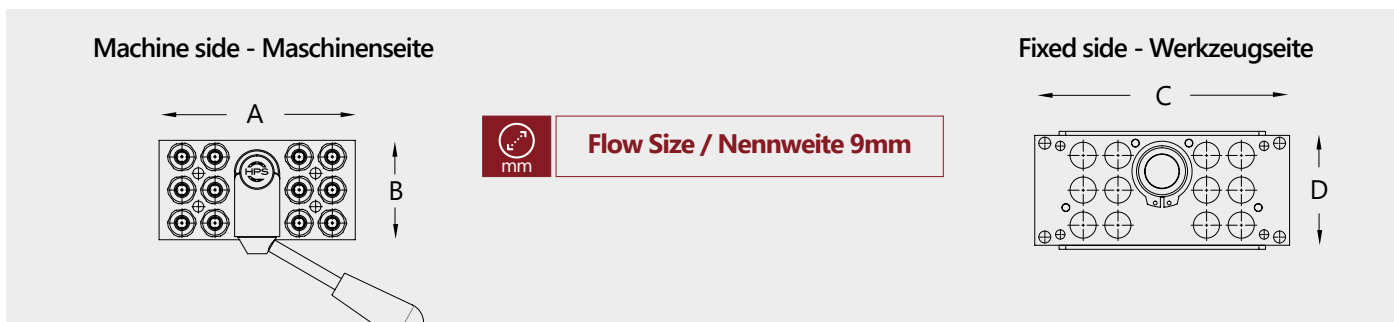


Registered Community Design



Multicoupling Series SPT - Multikupplung Serie SPT

Dimensions - Abmessungen



Machine Side	Mold Side	A	B	C	D	n	DN
<p>Lever / Hebel</p>		102	78	140	82	6	9
		102	104	140	104	8	9
		154	78	190	82	12	9
		154	78	190	82	12	9
		154	103	190	104	16	9
		226	103	206	104	20	9
		226	103	258	104	24	9

Multicoupling Series SPT - Multikupplung Serie SPT

Machine Side Item Codes - Maschinenseite Artikelnummer



PS SPT 09 - C - X

PS Press side / Maschinenseite

SPT SPT profile / SPT Profil

09 Flow size / Nennweite

C Connections / Anschlüsse

6 3 Circuits / 3 Kreisläufe

8 4 Circuits / 4 Kreisläufe

12 6 Circuits / 6 Kreisläufe

16 8 Circuits / 8 Kreisläufe

20 10 Circuits / 10 Kreisläufe

24 12 Circuits / 12 Kreisläufe

X Socket insert / Kupplungseinsatz



n **Socket with valve / Kupplungseinsatz mit Ventil**



FHB 10 Standard hose type Ø 10mm / Standardschlauchtülle Ø 10mm

FHB 12 Standard hose type Ø 12mm / Standardschlauchtülle Ø 12mm



FPB 10 Clampless hose type Ø 10mm / Schnellstecktülle Ø 10mm

FPB 13 Clampless hose type Ø 12mm / Schnellstecktülle Ø 12mm



FFB 17 Female thread BSP 3/8" / Innengewinde BSP 3/8"

Socket without valve / Kupplungseinsatz ohne Ventil



FHF 10 Standard hose type Ø 10mm / Standardschlauchtülle Ø 10mm

FHF 12 Standard hose type Ø 12mm / Standardschlauchtülle Ø 12mm



FPF 10 Clampless hose type Ø 10mm / Schnellstecktülle Ø 10mm

FPF 13 Clampless hose type Ø 12mm / Schnellstecktülle Ø 12mm



FFF 17 Female thread BSP 3/8" / Innengewinde BSP 3/8"

Multicoupling Series SPT - Multikupplung Serie SPT

Mold Side Item Codes - Werkzeugseite Artikelnummer

IS SPT 09 C - X - Y



Elbow / Winkel **Y**

Plug insert / Nippelinsert **X**

Connections / Anschlüsse **C**

6	3 Circuits / 3 Kreisläufe
8	4 Circuits / 4 Kreisläufe
12	6 Circuits / 6 Kreisläufe
16	8 Circuits / 8 Kreisläufe
20	10 Circuits / 10 Kreisläufe
24	12 Circuits / 12 Kreisläufe

Flow size / Nennweite **09**

SPT profile / SPT Profil **SPT**

Mold side / Werkzeugseite **MS**

Plug with valve / Nippelinsert mit Ventil



MHB 10 Standard hose type Ø 10mm / Standardschlauchtülle Ø 10mm

MHB 12 Standard hose type Ø 12mm / Standardschlauchtülle Ø 12mm



MPB 10 Clampless hose type Ø 10mm / Schnellstecktülle Ø 10mm

MPB 13 Clampless hose type Ø 12mm / Schnellstecktülle Ø 12mm



MFB 17 Female thread BSP 3/8" / Innengewinde BSP 3/8"

Plug without valve / Nippelinsert ohne Ventil



MHF 10 Standard hose type Ø 10mm / Standardschlauchtülle Ø 10mm

MHF 12 Standard hose type Ø 12mm / Standardschlauchtülle Ø 12mm



MPF 10 Clampless hose type Ø 10mm / Schnellstecktülle Ø 10mm

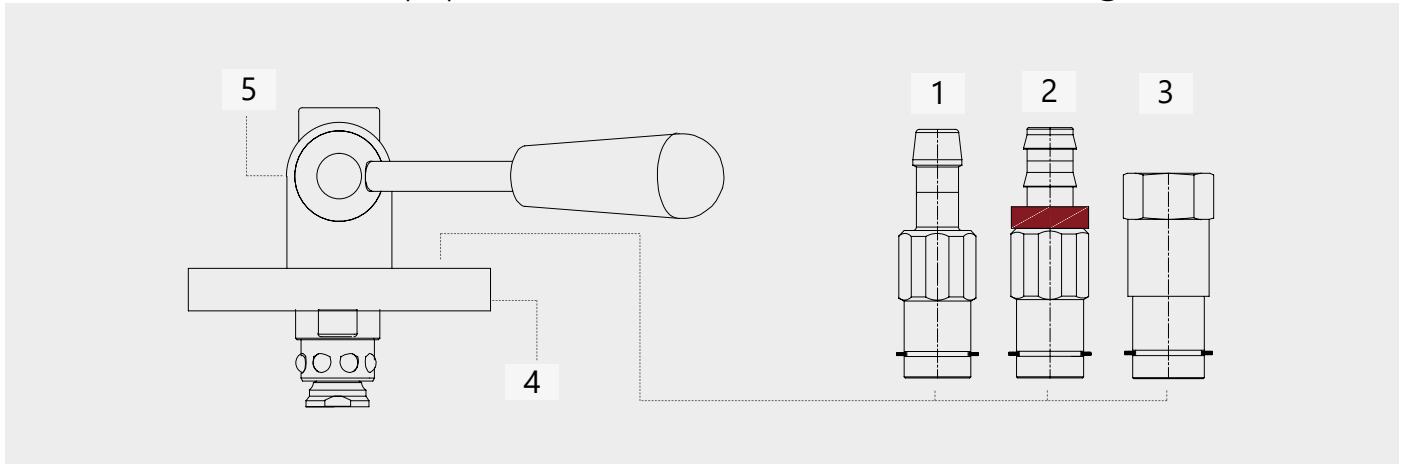
MPF 13 Clampless hose type Ø 12mm / Schnellstecktülle Ø 12mm



MFF 17 Female thread BSP 3/8" / Innengewinde BSP 3/8"

Multicoupling Series SPT - Multikupplung Serie SPT

Machine Side Item Equipment - Maschinenseite Bestückung

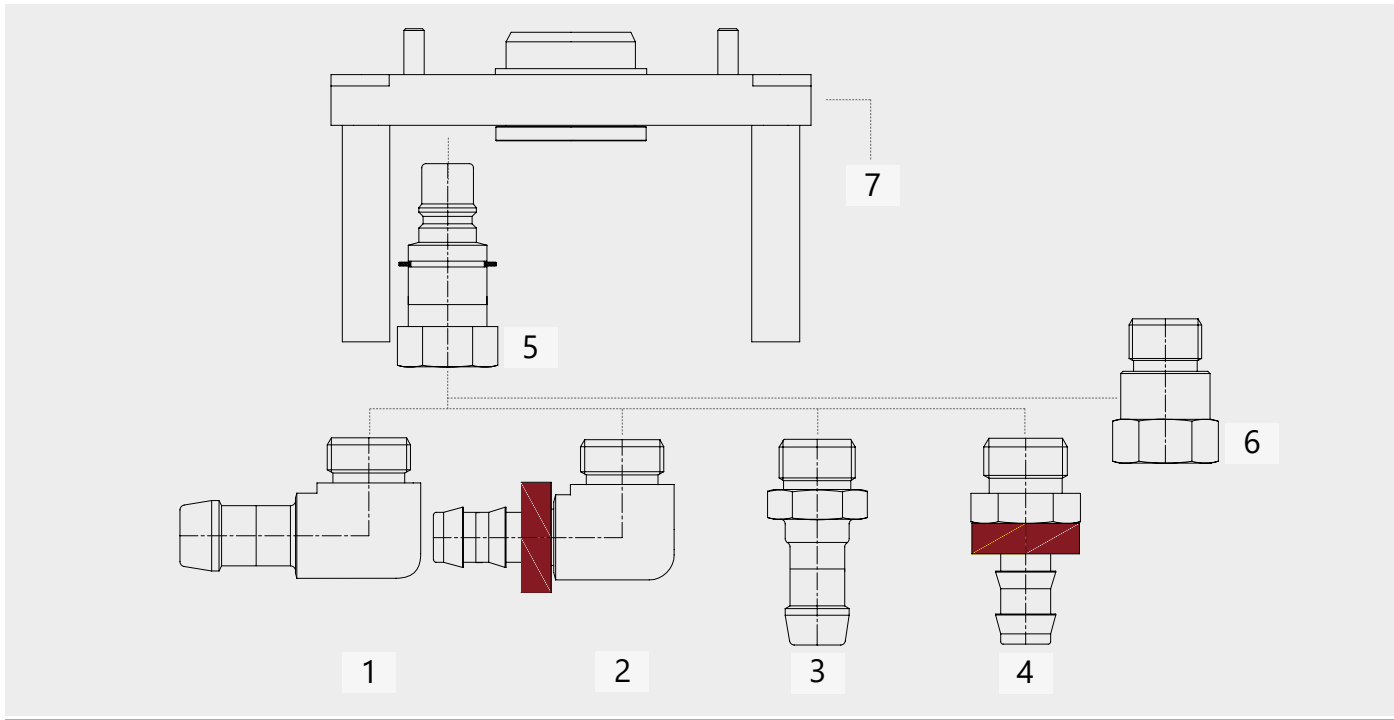


Assemblies Baugruppen	N			Description / Beschreibung	Connections Anschlüsse	Schema Schema	
	1	PS SPT.09- X FHB 10		PS SPT.09- X FHF 10	Standard hose tail Ø 10mm Standardschlauchtülle Ø 10mm	6	
		PS SPT.09- X FHB 12		PS SPT.09- X FHF 12	Standard hose tail Ø 12mm Standardschlauchtülle Ø 12mm		
	2	PS SPT.09- X FPB 10		PS SPT.09- X FPF 10	Clampless hose tail Ø 10mm Schnellstecktülle Ø 10mm	8	
		PS SPT.09- X FPB 13		PS SPT.09- X FPF 13	Clampless hose tail Ø 13mm Schnellstecktülle Ø 13mm		
	3	PS SPT.09- X FFB 17		PS SPT.09- X FFF 17	Female thread BSP 3/8" Innengewinde BSP 3/8"	12	
		PS SPT.09- X FNB 17		PS SPT.09- X FNF 17	Female thread NPT 3/8" Innengewinde NPT 3/8"		
		PS SPT.09-12 33 C			Collector with female thread BSP 1" Sammler mit Innengewinde BSP 1"	12	
	PS SPT.09-20 42 C			Collector with female thread BSP 1 1/4" Sammler mit Innengewinde BSP 1 1/4"	12		
					16		
					20		
					20		
					20C		

Spare parts / Einzelteile	N			Description / Beschreibung	
	1	M SPT.09 FHB 10		M SPT.09 FHF 10	Socket with standard hose tail Ø 10mm Kupplung mit Standardschlauchtülle Ø 10mm
		M SPT.09 FHB 12		M SPT.09 FHF 12	Socket with standard hose tail Ø 12mm Kupplung mit Standardschlauchtülle Ø 12mm
	2	M SPT.09 FPB 10		M SPT.09 FPF 10	Socket with clampless hose tail Ø 10mm Kupplung mit Schnellstecktülle Ø 10mm
		M SPT.09 FPB 13		M SPT.09 FPF 13	Socket with clampless hose tail Ø 13mm Kupplung mit Schnellstecktülle Ø 13mm
	3	M SPT.09 FFB 17		M SPT.09 FFF 17	Socket with female thread BSP 3/8" Kupplung mit Innengewinde BSP 3/8"
M SPT.09 FNB 17			M SPT.09 FNF 17	Socket with female thread NPT 3/8" Kupplung mit Innengewinde NPT 3/8"	
N			Description / Beschreibung		
4	PS SPT.09- X		Machine side only with locking unit Maschinenseite nur mit Verriegelungseinheit		
5	L-UNIT BG1		Locking unit size 1 Verriegelungseinheit Baugröße 1		

Multicoupling Series SPT - Multikupplung Serie SPT

Mold Side Item Equipment - Werkzeugseite Bestückung

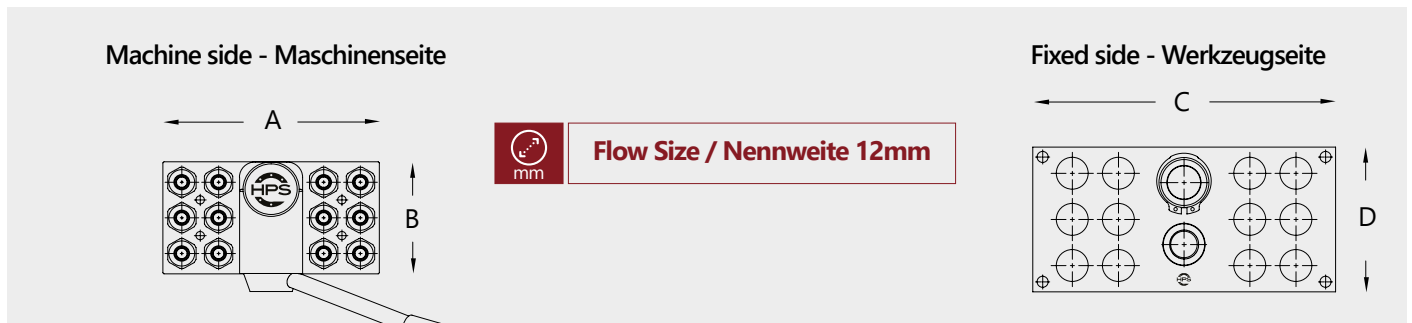


Assemblies / Baugruppen	N			Description / Beschreibung	Connections Anschlüsse	Schema Schema
	1	MS SPT.09-X MHB 10-90	MS SPT.09-X MHF 10-90	Plug + 90° elbow with standard hose tail Ø 10mm Nippel + 90° Winkelstandardschlauchtülle Ø 10mm	6	
		MS SPT.09-X MHB 12-90	MS SPT.09-X MHF 12-90	Plug + 90° elbow with standard hose tail Ø 12mm Nippel + 90° Winkelstandardschlauchtülle Ø 12mm		
	2	MS SPT.09-X MPB 10-90	MS SPT.09-X MPF 10-90	Plug + 90° elbow with clampless hose tail Ø 10mm Nippel + 90° Winkelschnellstecktülle Ø 10mm	8	
		MS SPT.09-X MPB 13-90	MS SPT.09-X MPF 13-90	Plug + 90° elbow with clampless hose tail Ø 13mm Nippel + Standardschlauchtülle Ø 13mm		
	3	MS SPT.09-X MHB 10	MS SPT.09-X MHF 10	Plug + adapter with standard hose tail Ø 10mm Nippel + Standardschlauchtülle Ø 10mm	12	
		MS SPT.09-X MHB 12	MS SPT.09-X MHF 12	Plug + adapter with standard hose tail Ø 12mm Nippel + Standardschlauchtülle Ø 12mm		
	4	MS SPT.09-X MPB 10	MS SPT.09-X MPF 10	Plug + adapter with clampless hose tail Ø 10mm Nippel + Schnellstecktülle Ø 10mm	12K	
MS SPT.09-X MPB 13		MS SPT.09-X MPF 13	Plug + adapter with clampless hose tail Ø 13mm Nippel + Schnellstecktülle Ø 13mm			
5	MS SPT.09-X MFB 17	MS SPT.09-X MFF 17	Plug female thread BSP 3/8" Nippel mit Innengewinde BSP 3/8"	16		
	MS SPT.09-X MNB 17	MS SPT.09-X MNF 17	Plug female thread NPT 3/8" Nippel mit Innengewinde NPT 3/8"			

Spare parts / Einzelteile	N	Code	Description / Beschreibung	
	1	ELH 17/10-90	Male BSP 3/8" - 90° elbow with standard hose tail Ø 10mm Aussengewinde BSP 3/8" - 90° Winkelstandardschlauchtülle Ø 10mm	
		ELH 17/12-90	Male BSP 3/8" - 90° elbow with standard hose tail Ø 12mm Aussengewinde BSP 3/8" - 90° Winkelstandardschlauchtülle Ø 12mm	
	2	ELP 17/10-90	Male BSP 3/8" - 90° elbow with clampless hose tail Ø 10mm Aussengewinde BSP 3/8" - 90° Winkelschnellstecktülle Ø 10mm	
		ELP 17/13-90	Male BSP 3/8" - 90° elbow with clampless hose tail Ø 13mm Aussengewinde BSP 3/8" - 90° Winkelschnellstecktülle Ø 13mm	
	3	MHA 17/10	Male BSP 3/8" adapter with standard hose tail Ø 10mm Aussengewinde BSP 3/8" Standardschlauchtülle Ø 10mm	
		MHA 17/12	Male BSP 3/8" adapter with standard hose tail Ø 12mm Aussengewinde BSP 3/8" Standardschlauchtülle Ø 12mm	
	4	MPA 17/10	Male BSP 3/8" adapter with clampless hose tail Ø 10mm Aussengewinde BSP 3/8" Schnellstecktülle Ø 10mm	
		MPA 17/13	Male BSP 3/8" adapter with clampless hose tail Ø 13mm Aussengewinde BSP 3/8" Schnellstecktülle Ø 13mm	
	5	M SPT.09 MFB 17	Plug female thread BSP 3/8" with valve Nippel Innengewinde BSP 3/8" mit Ventil	
M SPT.09 MFF 17		Plug female thread NPT 3/8" without valve Nippel Innengewinde NPT 3/8" ohne Ventil		
6	MFE 17/17-20	Male female extension BSP 3/8" Aussengewinde / Innengewinde Verlängerung BSP 3/8"		
7	MS SPT.09-X	Mold side not equipped Werkzeugseite unbestückt		

Multicoupling Series SPT - Multikupplung Serie SPT

Dimensions - Abmessungen



Machine Side	Mold Side	A	B	C	D	n	DN
		136	110	160	110	6	12
		203	110	216	120	10	12
		203	110	230	110	12	12
		270	110	300	110	18	12
		250	130	250	130	20	12

Multicoupling Series SPT - Multikupplung Serie SPT

Machine Side Item Codes - Maschinenseite Artikelnummer



PS SPT 12 - C - X

PS Press side / Maschinenseite

SPT SPT profile / SPT Profil

12 Flow size / Nennweite

C Connections / Anschlüsse

6	3 Circuits / 3 Kreisläufe
10	5 Circuits / 5 Kreisläufe
12	6 Circuits / 6 Kreisläufe
18	9 Circuits / 9 Kreisläufe
20	10 Circuits / 10 Kreisläufe

X Socket insert / Kupplungseinsatz



Socket with valve / Kupplungseinsatz mit Ventil



FHB 12 Standard hose type Ø 12mm / Standardschlauchtülle Ø 12mm

FHB 16 Standard hose type Ø 16mm / Standardschlauchtülle Ø 16mm



FPB 13 Clampless hose type Ø 13mm / Schnellstecktülle Ø 13mm

FPB 16 Clampless hose type Ø 16mm / Schnellstecktülle Ø 16mm



FFB 21 Female thread BSP 1/2" / Innengewinde BSP 1/2"



Socket without valve / Kupplungseinsatz ohne Ventil



FHF 12 Standard hose type Ø 12mm / Standardschlauchtülle Ø 12mm

FHF 16 Standard hose type Ø 16mm / Standardschlauchtülle Ø 16mm



FPF 13 Clampless hose type Ø 13mm / Schnellstecktülle Ø 13mm

FPF 16 Clampless hose type Ø 16mm / Schnellstecktülle Ø 16mm



FFF 21 Female thread BSP 1/2" / Innengewinde BSP 1/2"

Multicoupling Series SPT - Multikupplung Serie SPT

Mold Side Item Codes - Werkzeugseite Artikelnummer

MS SPT 12 C - X - Y



Elbow / Winkel **Y**

Plug insert / Nippeleinsatz **X**

Connections / Anschlüsse **C**

6	3 Circuits / 3 Kreisläufe
10	5 Circuits / 5 Kreisläufe
12	6 Circuits / 6 Kreisläufe
18	9 Circuits / 9 Kreisläufe
20	10 Circuits / 10 Kreisläufe

Flow size / Nennweite **12**

SPT profile / SPT Profil **SPT**

Mold side / Werkzeugseite **MS**



Plug with valve / Nippeleinsatz mit Ventil



MHB 12 Standard hose type Ø 12mm / Standardschlauchtülle Ø 12mm
MHB 16 Standard hose type Ø 13mm / Standardschlauchtülle Ø 16mm



MPB 13 Clampless hose type Ø 13mm / Schnellstecktülle Ø 13mm
MPB 16 Clampless hose type Ø 13mm / Schnellstecktülle Ø 16mm



MFB 21 Female thread BSP 1/2" / Innengewinde BSP 1/2"



Plug without valve / Nippeleinsatz ohne Ventil



MHF 12 Standard hose type Ø 12mm / Standardschlauchtülle Ø 12mm
MHF 16 Standard hose type Ø 16mm / Standardschlauchtülle Ø 16mm



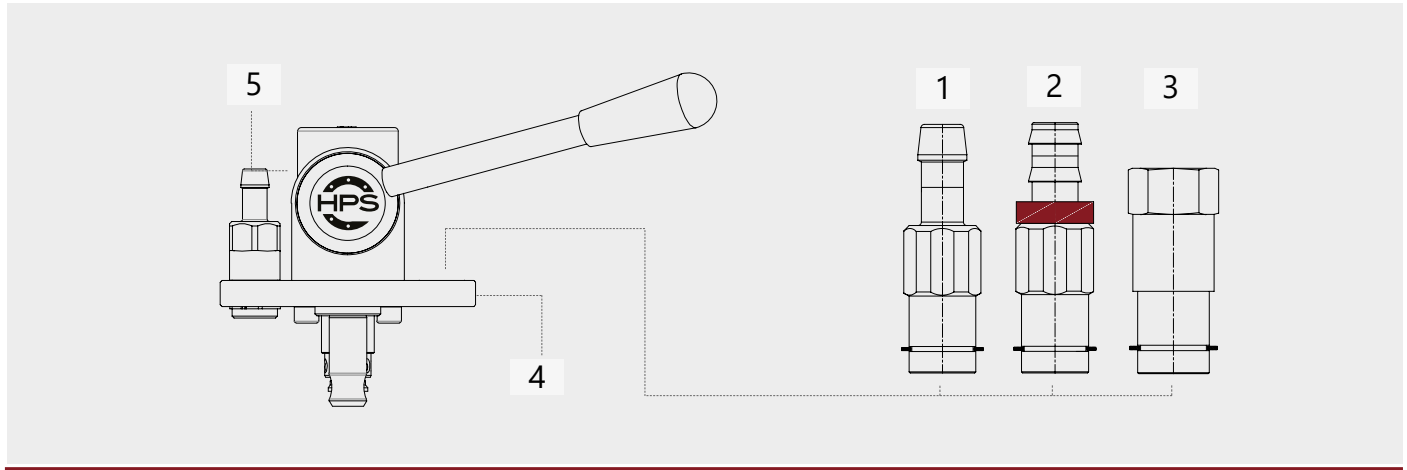
MPF 13 Clampless hose type Ø 13mm / Schnellstecktülle Ø 13mm
MPF 16 Clampless hose type Ø 16mm / Schnellstecktülle Ø 16mm



MFF 21 Female thread BSP 1/2" / Innengewinde BSP 1/2"

Multicoupling Series SPT - Multikupplung Serie SPT

Machine Side Item Equipment - Maschinenseite Bestückung



Assemblies Baugruppen

N			Description / Beschreibung
1	PS SPT.12-X FHB 12	PS SPT.12-X FHF 12	Standard hose tail Ø 12mm Standardschlauchtülle Ø 12mm
	PS SPT.12-X FHB 16	PS SPT.12-X FHF 16	Standard hose tail Ø 16mm Standardschlauchtülle Ø 16mm
2	PS SPT.12-X FPB 13	PS SPT.12-X FPF 13	Clampless hose tail Ø 13mm Schnellstecktülle Ø 13mm
	PS SPT.12-X FPB 16	PS SPT.12-X FPF 16	Clampless hose tail Ø 16mm Schnellstecktülle Ø 16mm
3	PS SPT.12-X FFB 21	PS SPT.12-X FFF 21	Female thread BSP 1/2" Innengewinde BSP 1/2"
	PS SPT.12-X FNB 21	PS SPT.12-X FNF 21	Female thread NPT 1/2" Innengewinde NPT 1/2"
	PS SPT.12-12 42 C		Collector with female thread BSP 1 1/4" Sammler mit Innengewinde BSP 1 1/4"
	PS SPT.12-20 48 C		Collector with female thread BSP 1 1/2" Sammler mit Innengewinde BSP 1 1/2"

Connections Anschlüsse	Schema Schema
6	
10	
12	
12	
18	
20	
20	

Spare parts / Einzelteile

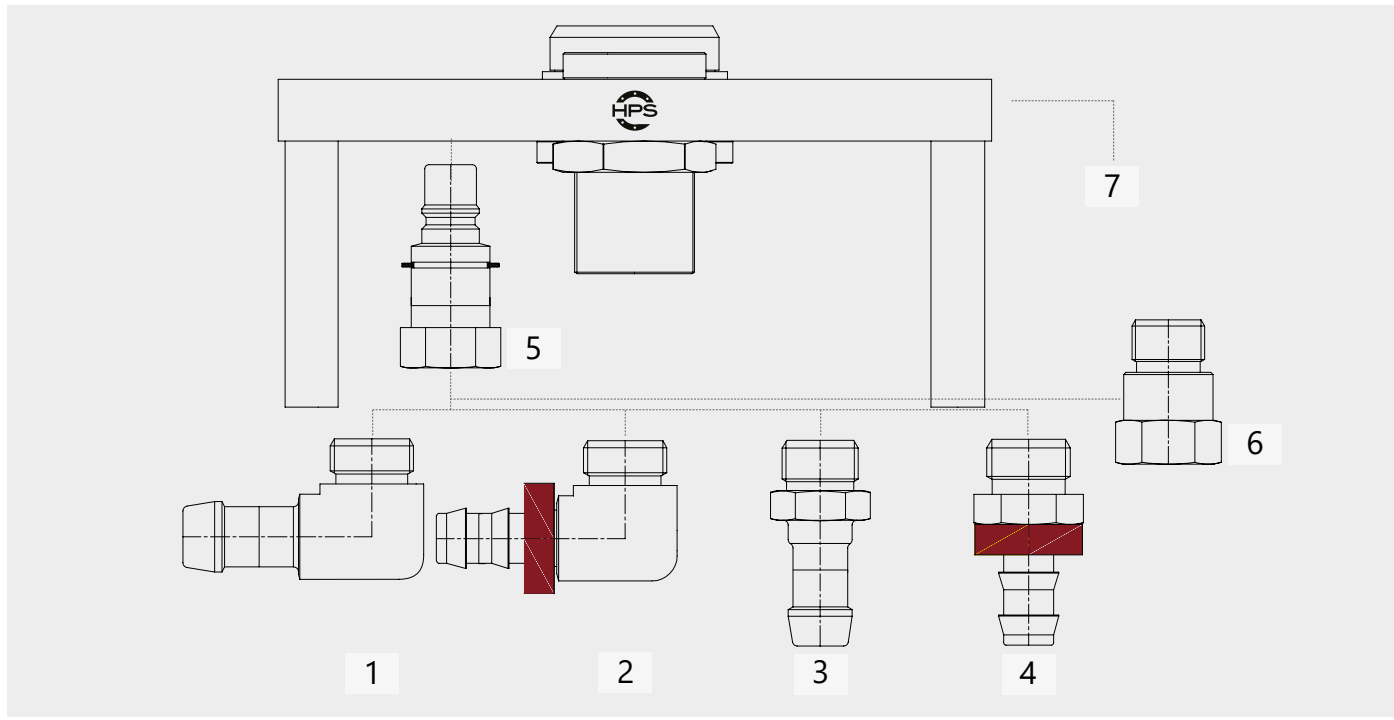
N			Description / Beschreibung
1	M SPT.12 FHB 12	M SPT.12 FHF 12	Socket with standard hose tail Ø 12mm Kupplung mit Standardschlauchtülle Ø 12mm
	M SPT.12 FHB 16	M SPT.12 FHF 16	Socket with standard hose tail Ø 16mm Kupplung mit Standardschlauchtülle Ø 16mm
2	M SPT.12 FPB 13	M SPT.12 FPF 13	Socket with clampless hose tail Ø 13mm Kupplung mit Schnellstecktülle Ø 13mm
	M SPT.12 FPB 16	M SPT.12 FPF 16	Socket with clampless hose tail Ø 16mm Kupplung mit Schnellstecktülle Ø 16mm
3	M SPT.12 FFB 21	M SPT.12 FFF 21	Socket with female thread BSP 1/2" Kupplung mit Innengewinde BSP 1/2"
	M SPT.12 FNB 21	M SPT.12 FNF 21	Socket with female thread NPT 1/2" Kupplung mit Innengewinde NPT 1/2"

N		Description / Beschreibung
4	PS SPT.12-X	Machine side only with locking unit Maschinenseite nur mit Verriegelungseinheit
5	L-UNIT BG2	Locking unit size 2 Verriegelungseinheit Baugröße 2



Multicoupling Series SPT - Multikupplung Serie SPT

Mold Side Item Equipment - Werkzeugseite Bestückung

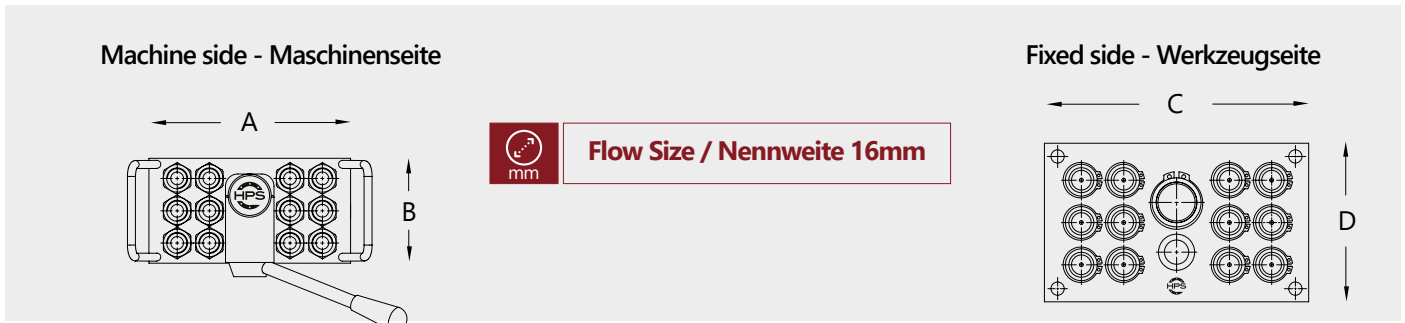


N					Description / Beschreibung	Connections Anschlüsse	Scheme Schema
	MS SPT.12-X MHB	MHF	MS SPT.12-X MHB	MHF			
1	MS SPT.12-X MHB 12-90	MHF 12-90	MS SPT.12-X MHB 16-90	MHF 16-90	Plug + 90° elbow with standard hose tail Ø 12mm Nippel + 90° Winkelstandardschlauchtülle Ø 12mm	6	
	MS SPT.12-X MHB 16-90	MHF 16-90	MS SPT.12-X MHB 13-90	MHF 13-90	Plug + 90° elbow with standard hose tail Ø 16mm Nippel + 90° Winkelstandardschlauchtülle Ø 16mm		
2	MS SPT.12-X MPB 13-90	MPF 13-90	MS SPT.12-X MPB 16-90	MPF 16-90	Plug + 90° elbow with clampless hose tail Ø 13mm Nippel + 90° Winkelschnellstecktülle Ø 13mm	10	
	MS SPT.12-X MPB 16-90	MPF 16-90	MS SPT.12-X MPB 12	MHF 12	Plug + 90° elbow with clampless hose tail Ø 16mm Nippel + 90° Winkelschnellstecktülle Ø 16mm		
3	MS SPT.12-X MHB 12	MHF 12	MS SPT.12-X MHB 16	MHF 16	Plug + adapter with standard hose tail Ø 12mm Nippel + Standardschlauchtülle Ø 12mm	12	
	MS SPT.12-X MHB 16	MHF 16	MS SPT.12-X MPB 13	MPF 13	Plug + adapter with standard hose tail Ø 16mm Nippel + Standardschlauchtülle Ø 16mm		
4	MS SPT.12-X MPB 13	MPF 13	MS SPT.12-X MPB 16	MPF 16	Plug + adapter with clampless hose tail Ø 13mm Nippel + Schnellstecktülle Ø 13mm	18	
	MS SPT.12-X MPB 16	MPF 16	MS SPT.12-X MFB 21	MFF 21	Plug + adapter with clampless hose tail Ø 16mm Nippel + Schnellstecktülle Ø 16mm		
5	MS SPT.12-X MFB 21	MFF 21	MS SPT.12-X MNB 21	MNF 21	Plug female thread BSP 1/2" Nippel mit Innengewinde BSP 1/2"	20	
	MS SPT.12-X MNB 21	MNF 21			Plug female thread NPT 1/2" Nippel mit Innengewinde NPT 1/2"		

N	Code	Description / Beschreibung
1	ELH 21/12-90	Male BSP 1/2" - 90° elbow with standard hose tail Ø 12mm Aussengewinde BSP 1/2" - 90° Winkelstandardschlauchtülle Ø 12mm
	ELH 21/16-90	Male BSP 1/2" - 90° elbow with standard hose tail Ø 16mm Aussengewinde BSP 1/2" - 90° Winkelstandardschlauchtülle Ø 16mm
2	ELP 21/13-90	Male BSP 1/2" - 90° elbow with clampless hose tail Ø 13mm Aussengewinde BSP 1/2" - 90° Winkelschnellstecktülle Ø 13mm
	ELP 21/16-90	Male BSP 1/2" - 90° elbow with clampless hose tail Ø 16mm Aussengewinde BSP 1/2" - 90° Winkelschnellstecktülle Ø 16mm
3	MHA 21/12	Male BSP 1/2" adapter with standard hose tail Ø 12mm Aussengewinde BSP 1/2" Standardschlauchtülle Ø 12mm
	MHA 21/16	Male BSP 1/2" adapter with standard hose tail Ø 16mm Aussengewinde BSP 1/2" Standardschlauchtülle Ø 16mm
4	MPA 21/13	Male BSP 1/2" adapter with clampless hose tail Ø 13mm Aussengewinde BSP 1/2" Schnellstecktülle Ø 13mm
	MPA 21/16	Male BSP 1/2" adapter with clampless hose tail Ø 16mm Aussengewinde BSP 1/2" Schnellstecktülle Ø 16mm
5	M SPT.12 MFB 21	Plug female thread BSP 1/2" with valve Nippel Innengewinde BSP 1/2" mit Ventil
	M SPT.12 MFF 21	Plug female thread NPT 1/2" without valve Nippel Innengewinde NPT 1/2" ohne Ventil
6	MFE 21/21-34	Male female extension BSP 1/2" Aussengewinde / Innengewinde Verlängerung BSP 1/2"
7	MS SPT.12-X	Mold side not equipped Werkzeugseite unbestückt

Multicoupling Series SPT - Multikupplung Serie SPT

Dimensions - Abmessungen



Machine Side	Mold Side	A	B	C	D	n	DN
		250	130	250	150	10	16
		250	130	250	150	12	16
		250	130	250	150	12	16

Multicoupling Series SPT - Multikupplung Serie SPT

Machine Side Item Codes - Maschinenseite Artikelnummer



PS SPT 16 - C - X

PS Press side / Maschinenseite

SPT SPT profile / SPT Profil

16 Flow size / Nennweite

C Connections / Anschlüsse

10 5 Circuits / 5 Kreisläufe

12 6 Circuits / 6 Kreisläufe

X Socket insert / Kupplungseinsatz



Socket with valve / Kupplungseinsatz mit Ventil



FHB 16 Standard hose type Ø 16mm / Standardschlauchtülle Ø 16mm

FHB 19 Standard hose type Ø 19mm / Standardschlauchtülle Ø 19mm



FPB 16 Clampless hose type Ø 16mm / Schnellstecktülle Ø 16mm

FPB 19 Clampless hose type Ø 19mm / Schnellstecktülle Ø 19mm



FFB 26 Female thread BSP 3/4" / Innengewinde BSP 3/4"



Socket without valve / Kupplungseinsatz ohne Ventil



FHF 16 Standard hose type Ø 16mm / Standardschlauchtülle Ø 16mm

FHF 19 Standard hose type Ø 19mm / Standardschlauchtülle Ø 19mm



FPF 16 Clampless hose type Ø 16mm / Schnellstecktülle Ø 16mm

FPF 19 Clampless hose type Ø 19mm / Schnellstecktülle Ø 19mm



FFF 26 Female thread BSP 3/4" / Innengewinde BSP 3/4"

Multicoupling Series SPT - Multikupplung Serie SPT

Mold Side Item Codes - Werkzeugseite Artikelnummer

MS SPT 16 C - X



Plug insert / Nippeleinsatz **X**

Connections / Anschlüsse **C**

10 5 Circuits / 5 Kreisläufe

12 6 Circuits / 6 Kreisläufe

Flow size / Nennweite **16**

SPT profile / SPT Profil **SPT**

Mold side / Werkzeugseite **MS**

 **Plug with valve / Nippeleinsatz mit Ventil**



MFB 26 Female thread BSP 3/4" / Innengewinde BSP 3/4"

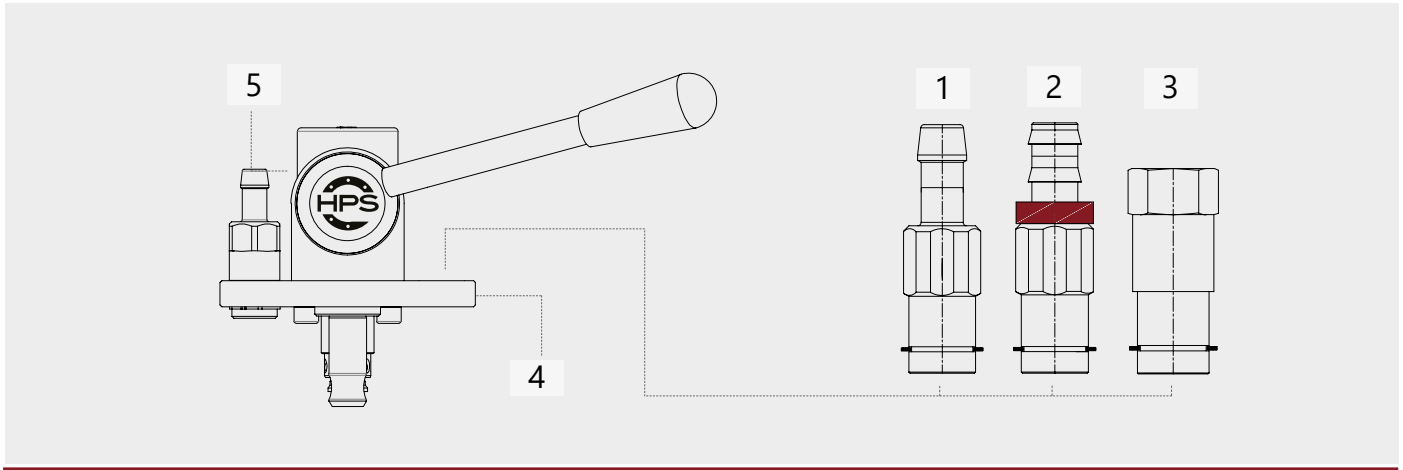
 **Plug without valve / Nippeleinsatz ohne Ventil**



MFF 26 Female thread BSP 3/4" / Innengewinde BSP 3/4"

Multicoupling Series SPT - Multikupplung Serie SPT

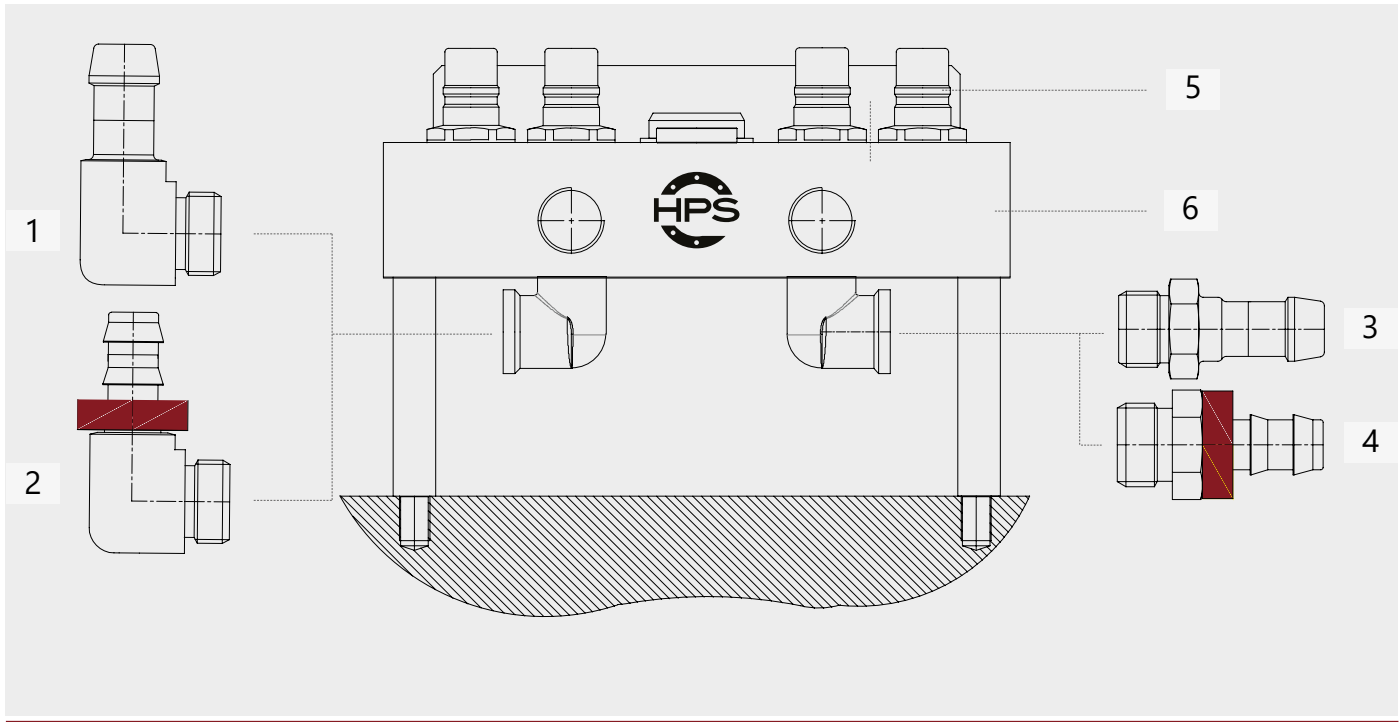
Machine Side Item Equipment - Maschinenseite Bestückung



Assemblies Baugruppen	N			Description / Beschreibung	Connections / Anschlüsse	Schema Schema
	1	PS SPT.16- X FHB 16	PS SPT.16- X FHF 16	Standard hose tail Ø 16mm Standardschlauchtülle Ø 16mm	10	
		PS SPT.16- X FHB 19	PS SPT.16- X FHF 19	Standard hose tail Ø 19mm Standardschlauchtülle Ø 19mm		
	2	PS SPT.16- X FPB 16	PS SPT.16- X FPF 16	Clampless hose tail Ø 16mm Schnellstecktülle Ø 16mm	12	
		PS SPT.16- X FPB 19	PS SPT.16- X FPF 19	Clampless hose tail Ø 19mm Schnellstecktülle Ø 19mm		
	3	PS SPT.16- X FFB 26	PS SPT.16- X FFF 26	Female thread BSP 3/4" Innengewinde BSP 3/4"		
PS SPT.16- X FNB 26		PS SPT.16- X FNF 26	Female thread NPT 3/4" Innengewinde NPT 3/4"			

Spare parts / Einzelteile	N			Description / Beschreibung
	1	M SPT.16 FHB 12	M SPT.16 FHF 16	Socket with standard hose tail Ø 16mm Kupplung mit Standardschlauchtülle Ø 16mm
		M SPT.16 FHB 16	M SPT.16 FHF 19	Socket with standard hose tail Ø 19mm Kupplung mit Standardschlauchtülle Ø 19mm
	2	M SPT.16 FPB 13	M SPT.16 FPF 16	Socket with clampless hose tail Ø 16mm Kupplung mit Schnellstecktülle Ø 16mm
		M SPT.16 FPB 16	M SPT.16 FPF 19	Socket with clampless hose tail Ø 19mm Kupplung mit Schnellstecktülle Ø 19mm
	3	M SPT.16 FFB 26	M SPT.16 FFF 26	Socket with female thread BSP 3/4" Kupplung mit Innengewinde BSP 3/4"
M SPT.16 FNB 26		M SPT.16 FNF 26	Socket with female thread NPT 3/4" Kupplung mit Innengewinde NPT 3/4"	
N			Description / Beschreibung	
4	PS SPT.16- X		Machine side only with locking unit Maschinenseite nur mit Verriegelungseinheit	
5	L-UNIT BG2		Locking unit size 2 Verriegelungseinheit Baugröße 2	

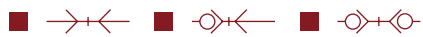
Multicoupling Series SPT - Multikupplung Serie SPT Mold Side Item Equipment - Werkzeugseite Bestückung



Assemblies / Baugruppen	N			Description / Beschreibung	Connections Anschlüsse	Scheme Schema
	1	MS SPT.16-X MHB 16-90	MS SPT.16-X MHF 16-90	Plug + 90° elbow with standard hose tail Ø 16mm Nippel + 90° Winkelstandardschlauchtülle Ø 16mm	10	
		MS SPT.16-X MHB 19-90	MS SPT.16-X MHF 19-90	Plug + 90° elbow with standard hose tail Ø 19mm Nippel + 90° Winkelstandardschlauchtülle Ø 19mm		
	2	MS SPT.16-X MPB 16-90	MS SPT.16-X MPF 16-90	Plug + 90° elbow with clampless hose tail Ø 16mm Nippel + 90° Winkelschnellstecktülle Ø 16mm	12	
		MS SPT.16-X MPB 19-90	MS SPT.16-X MPF 19-90	Plug + 90° elbow with clampless hose tail Ø 19mm Nippel + 90° Winkelschnellstecktülle Ø 19mm		
	3	MS SPT.16-X MHB 16	MS SPT.16-X MHF 16	Plug + adapter with standard hose tail Ø 16mm Nippel + Standardschlauchtülle Ø 16mm	12	
		MS SPT.16-X MHB 19	MS SPT.16-X MHF 19	Plug + adapter with standard hose tail Ø 19mm Nippel + Standardschlauchtülle Ø 19mm		
	4	MS SPT.16-X MPB 16	MS SPT.16-X MPF 16	Plug + adapter with clampless hose tail Ø 16mm Nippel + Schnellstecktülle Ø 16mm	12	
		MS SPT.16-X MPB 19	MS SPT.16-X MPF 19	Plug + adapter with clampless hose tail Ø 19mm Nippel + Schnellstecktülle Ø 19mm		
	5	MS SPT.16-X MFB 26	MS SPT.16-X MFF 26	Plug female thread BSP 3/4" Nippel mit Innengewinde BSP 3/4"	12	
MS SPT.16-X MNB 26		MS SPT.16-X MNF 26	Plug female thread NPT 3/4" Nippel mit Innengewinde NPT 3/4"			

Spare parts / Einzelteile	N	Code	Description / Beschreibung
	1	ELH 26/16-90	Male BSP 3/4" - 90° elbow with standard hose tail Ø 16mm Aussengewinde BSP 3/4" - 90° Winkelstandardschlauchtülle Ø 16mm
		ELH 26/19-90	Male BSP 3/4" - 90° elbow with standard hose tail Ø 19mm Aussengewinde BSP 3/4" - 90° Winkelstandardschlauchtülle Ø 19mm
	2	ELP 26/16-90	Male BSP 3/4" - 90° elbow with clampless hose tail Ø 16mm Aussengewinde BSP 3/4" - 90° Winkelschnellstecktülle Ø 16mm
		ELP 26/19-90	Male BSP 3/4" - 90° elbow with clampless hose tail Ø 19mm Aussengewinde BSP 3/4" - 90° Winkelschnellstecktülle Ø 19mm
	3	MHA 26/16	Male BSP 3/4" adapter with standard hose tail Ø 16mm Aussengewinde BSP 3/4" Standardschlauchtülle Ø 16mm
		MHA 26/19	Male BSP 3/4" adapter with standard hose tail Ø 19mm Aussengewinde BSP 3/4" Standardschlauchtülle Ø 19mm
	4	MPA 26/16	Male BSP 3/4" adapter with clampless hose tail Ø 16mm Aussengewinde BSP 3/4" Schnellstecktülle Ø 16mm
		MPA 26/19	Male BSP 3/4" adapter with clampless hose tail Ø 19mm Aussengewinde BSP 3/4" Schnellstecktülle Ø 19mm
	5	SPT.16 MOB 33	Plug female thread BSP 1" with valve Nippel Innengewinde BSP 1" mit Ventil
SPT.16 MFF 33		Plug female thread NPT 1" without valve Nippel Innengewinde NPT 1" ohne Ventil	
6	MS SPT.16-X	Mold side not equipped Werkzeugseite unbestückt	

PROFILE TYPES



TFF



Flow Size / Nennweiten

TFF 10 - 10 mm
TFF 12 - 12 mm



Number of Connections / Anschlüsse

TFF 10 - 6-24
TFF 12 - 6-18



Pressure / Druck

0 - 16 bar



Temperature range / Temperaturbereich

-5°C +160°C FPM (V) (Water / Wasser)
-5°C +200°C FPM (V) (Heating Oil / Wärmeträgeröl)

SPECIFICATIONS / EIGENSCHAFTEN

Tool set-up optimization through central locking
Avoidance of mistakes through fixed position hoses on the plates
Many connection options
The connectors are compatible with the monocouplings of the series (TFF)

Rüstzeitoptimierung durch zentrale Verriegelung
Fehlervermeidung durch feste Anordnung der Schläuche auf den Platten
Viele Anschlussmöglichkeiten
Die Anschlüsse sind kompatibel mit den monokupplungen der Serie TFF

OPTIONS / OPTIONEN

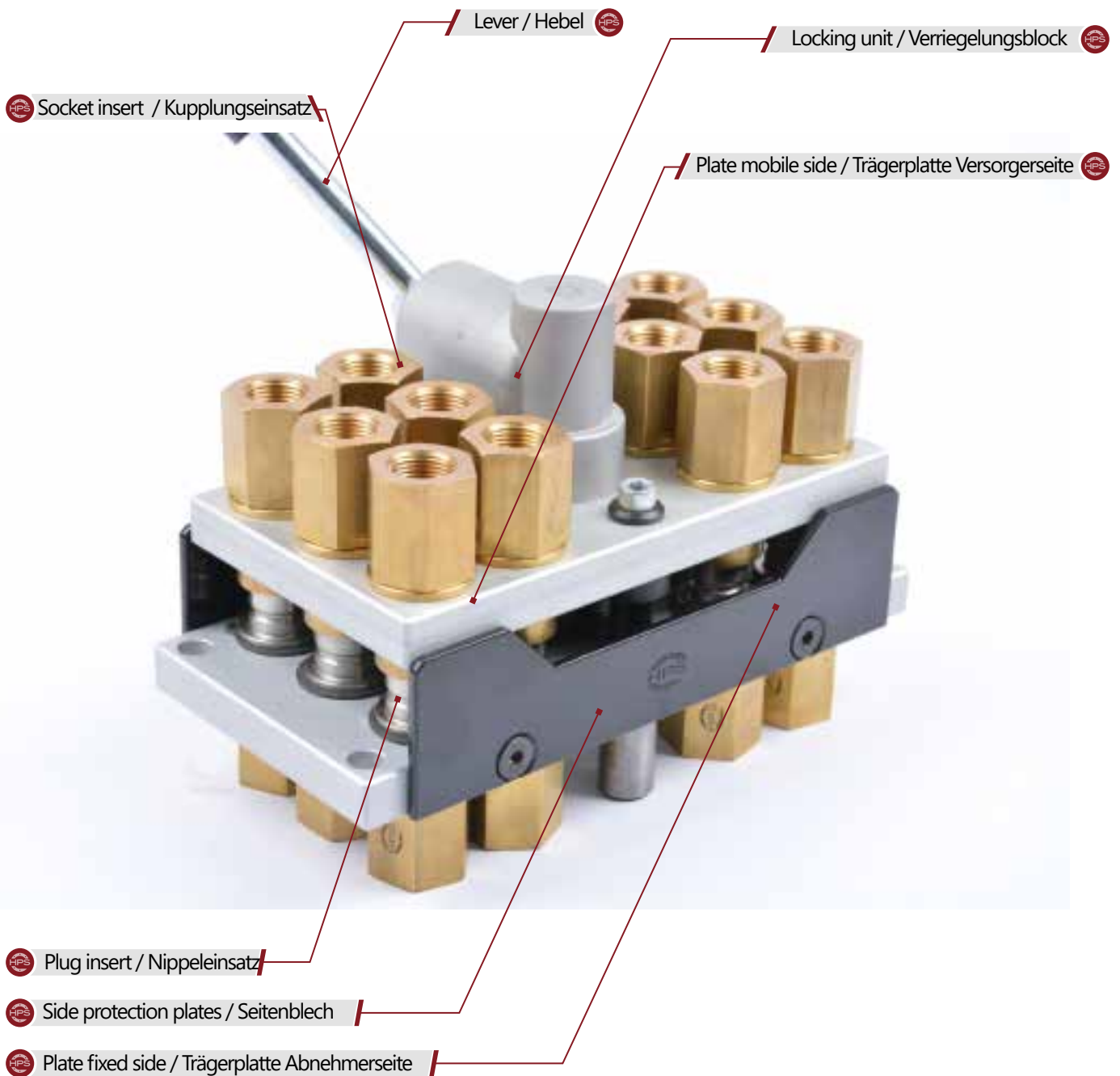
Color coding of the plates
Stainless Steel option for plates, connectors and locking unit
High temperature option for connectors
Safety locking unit

Farbkodierung der Platten
Edelstahloption für Platten, Anschlüsse und Verriegelungseinheit
Hochtemperaturoption für die Anschlüsse
Sicherheitsoption für die Verriegelungseinheit

USING AREAS / EINSATZBEREICHE

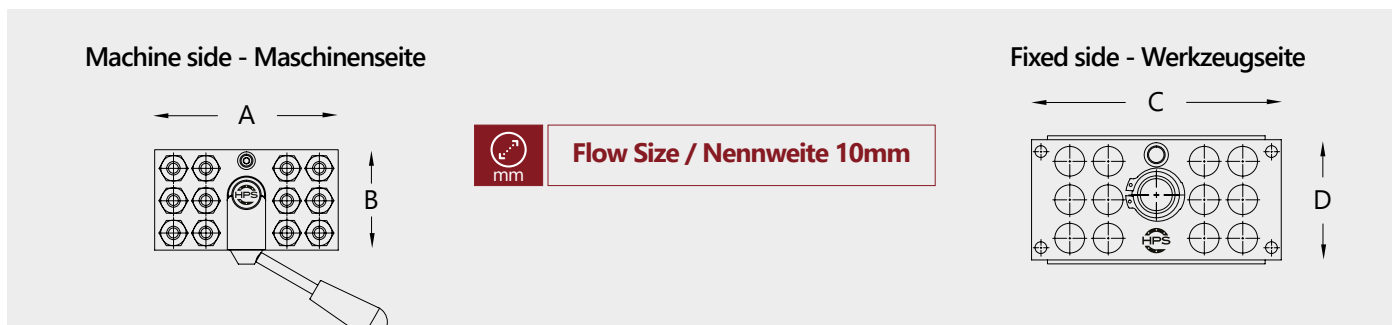
Thermo regulation
Injection moulding
Die casting
Test benches

Temperierung
Kunststoffspritzguss
Alu Druckguss
Prüfstände



Multicoupling Series TFF - Multikupplung Serie TFF

Dimensions - Abmessungen



Machine Side	Mold Side	A	B	C	D	n	DN
		105	93	132	95	6	10
		170	104	172	94	10	10
		170	104	195	94	12	10
		230	129	230	130	16	10
		260	129	260	130	20	10
		265	129	285	230	24	10

Multicoupling Series TFF - Multikupplung Serie TFF

Machine Side Item Codes - Maschinenseite Artikelnummer



PS TFF 10 - C - X

PS Press side / Maschinenseite

TFF TFF profile / TFF Profil

10 Flow size / Nennweite

C Connections / Anschlüsse

6 3 Circuits / 3 Kreisläufe

10 5 Circuits / 5 Kreisläufe

12 6 Circuits / 6 Kreisläufe

16 8 Circuits / 8 Kreisläufe

20 10 Circuits / 10 Kreisläufe

24 12 Circuits / 12 Kreisläufe

X Socket insert / Kupplungseinsatz



Socket with valve / Kupplungseinsatz mit Ventil



FHB 10 Standard hose type Ø 10mm / Standardschlauchtülle Ø 10mm

FHB 12 Standard hose type Ø 12mm / Standardschlauchtülle Ø 12mm



FPB 10 Clampless hose type Ø 10mm / Schnellstecktülle Ø 10mm

FPB 13 Clampless hose type Ø 13mm / Schnellstecktülle Ø 13mm



FFB 17 Female thread BSP 3/8" / Innengewinde BSP 3/8"



Socket without valve / Kupplungseinsatz ohne Ventil



FHF 10 Standard hose type Ø 10mm / Standardschlauchtülle Ø 10mm

FHF 12 Standard hose type Ø 12mm / Standardschlauchtülle Ø 12mm



FPF 10 Clampless hose type Ø 10mm / Schnellstecktülle Ø 10mm

PPF 13 Clampless hose type Ø 13mm / Schnellstecktülle Ø 13mm



FFF 17 Female thread BSP 3/8" / Innengewinde BSP 3/8"

Multicoupling Series TFF - Multikupplung Serie TFF

Mold Side Item Codes - Werkzeugseite Artikelnummer

MS TFF 10 C - X - Y



Elbow / Winkel **Y**

Plug insert / Nippeleinsatz **X**

Connections / Anschlüsse **C**

6	3 Circuits / 3 Kreisläufe
10	5 Circuits / 5 Kreisläufe
12	6 Circuits / 6 Kreisläufe
16	8 Circuits / 8 Kreisläufe
20	10 Circuits / 10 Kreisläufe
24	12 Circuits / 12 Kreisläufe

Flow size / Nennweite **10**

TFF profile / TFF Profil **TFF**

Mold side / Werkzeugseite **MS**



Plug with valve / Nippeleinsatz mit Ventil



MHB 10 Standard hose type Ø 10mm / Standardschlauchtülle Ø 10mm
MHB 12 Standard hose type Ø 12mm / Standardschlauchtülle Ø 12mm



MPB 10 Clampless hose type Ø 10mm / Schnellstecktülle Ø 10mm
MPB 13 Clampless hose type Ø 13mm / Schnellstecktülle Ø 13mm



MFB 17 Female thread BSP 3/8" / Innengewinde BSP 3/8"



Plug without valve / Nippeleinsatz ohne Ventil



MHF 10 Standard hose type Ø 10mm / Standardschlauchtülle Ø 10mm
MHF 12 Standard hose type Ø 12mm / Standardschlauchtülle Ø 12mm



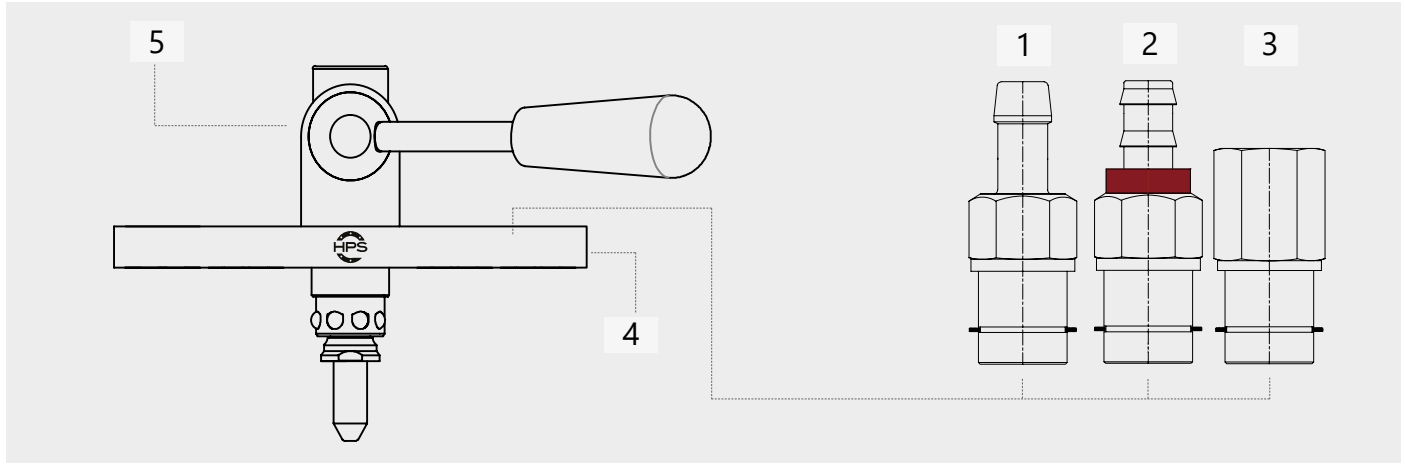
MPF 10 Clampless hose type Ø 10mm / Schnellstecktülle Ø 10mm
MPF 13 Clampless hose type Ø 13mm / Schnellstecktülle Ø 13mm



MFF 17 Female thread BSP 3/8" / Innengewinde BSP 3/8"

Multicoupling Series TFF - Multikupplung Serie TFF

Machine Side Item Equipment - Maschinenseite Bestückung



Assemblies Baugruppen	N			Description / Beschreibung
	1	PS TFF.10-X FHB 10	PS TFF.10-X FHF 10	Standard hose tail Ø 10mm Standardschlauchtülle Ø 10mm
		PS TFF.10-X FHB 12	PS TFF.10-X FHF 12	Standard hose tail Ø 12mm Standardschlauchtülle Ø 12mm
	2	PS TFF.10-X FPB 10	PS TFF.10-X PPF 10	Clampless hose tail Ø 10mm Schnellstecktülle Ø 10mm
		PS TFF.10-X FPB 13	PS TFF.10-X PPF 13	Clampless hose tail Ø 13mm Schnellstecktülle Ø 13mm
3	PS TFF.10-X FFB 17	PS TFF.10-X FFF 17	Female thread BSP 3/8" Innengewinde BSP 3/8"	
	PS TFF.10-X FNB 17	PS TFF.10-X FNF 17	Female thread NPT 3/8" Innengewinde NPT 3/8"	

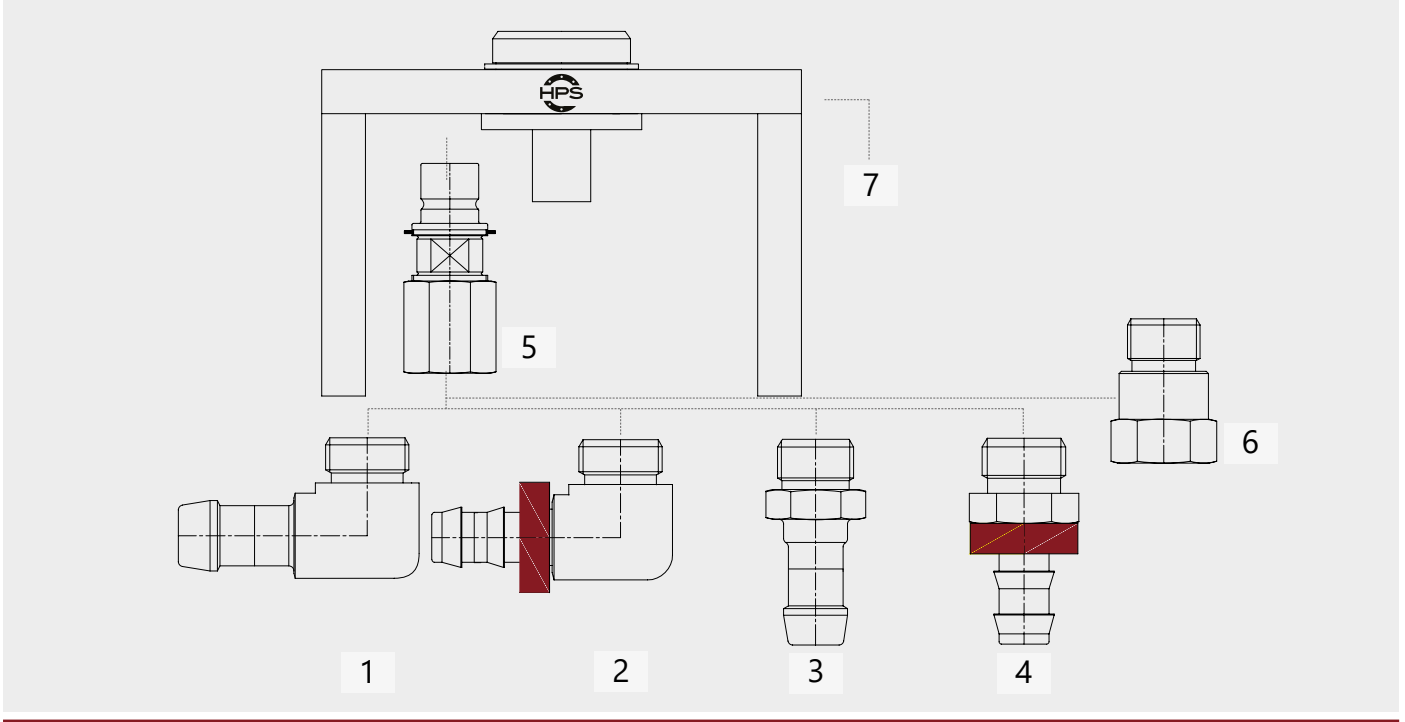
Connections Anschlüsse	Schema Schema
6	
10	
12	
12C	
16	
20	
24	

Spare parts / Einzelteile	N			Description / Beschreibung
	1	M TFF.10 FHB 10	M TFF.10 FHF 10	Socket with standard hose tail Ø 10mm Kupplung mit Standardschlauchtülle Ø 10mm
		M TFF.10 FHB 12	M TFF.10 FHF 12	Socket with standard hose tail Ø 12mm Kupplung mit Standardschlauchtülle Ø 12mm
	2	M TFF.10 FPB 10	M TFF.10 PPF 10	Socket with clampless hose tail Ø 10mm Kupplung mit Schnellstecktülle Ø 10mm
		M TFF.10 FPB 13	M TFF.10 PPF 13	Socket with clampless hose tail Ø 13mm Kupplung mit Schnellstecktülle Ø 13mm
3	M TFF.10 FFB 17	M TFF.10 FFF 17	Socket with female thread BSP 3/8" Kupplung mit Innengewinde BSP 3/8"	
	M TFF.10 FNB 17	M TFF.10 FNF 17	Socket with female thread NPT 3/8" Kupplung mit Innengewinde NPT 3/8"	

N		Description / Beschreibung
4	PS TFF.10-X	Machine side only with locking unit Maschinenseite nur mit Verriegelungseinheit
5	L-UNIT BG3	Locking unit size 3 (Connections 6/10/12) Verriegelungseinheit Baugröße 3 (Anschlüsse 6/10/12)
	L-UNIT BG4	Locking unit size 4 (Connections 16/20/24) Verriegelungseinheit Baugröße 4 (Anschlüsse 16/20/24)

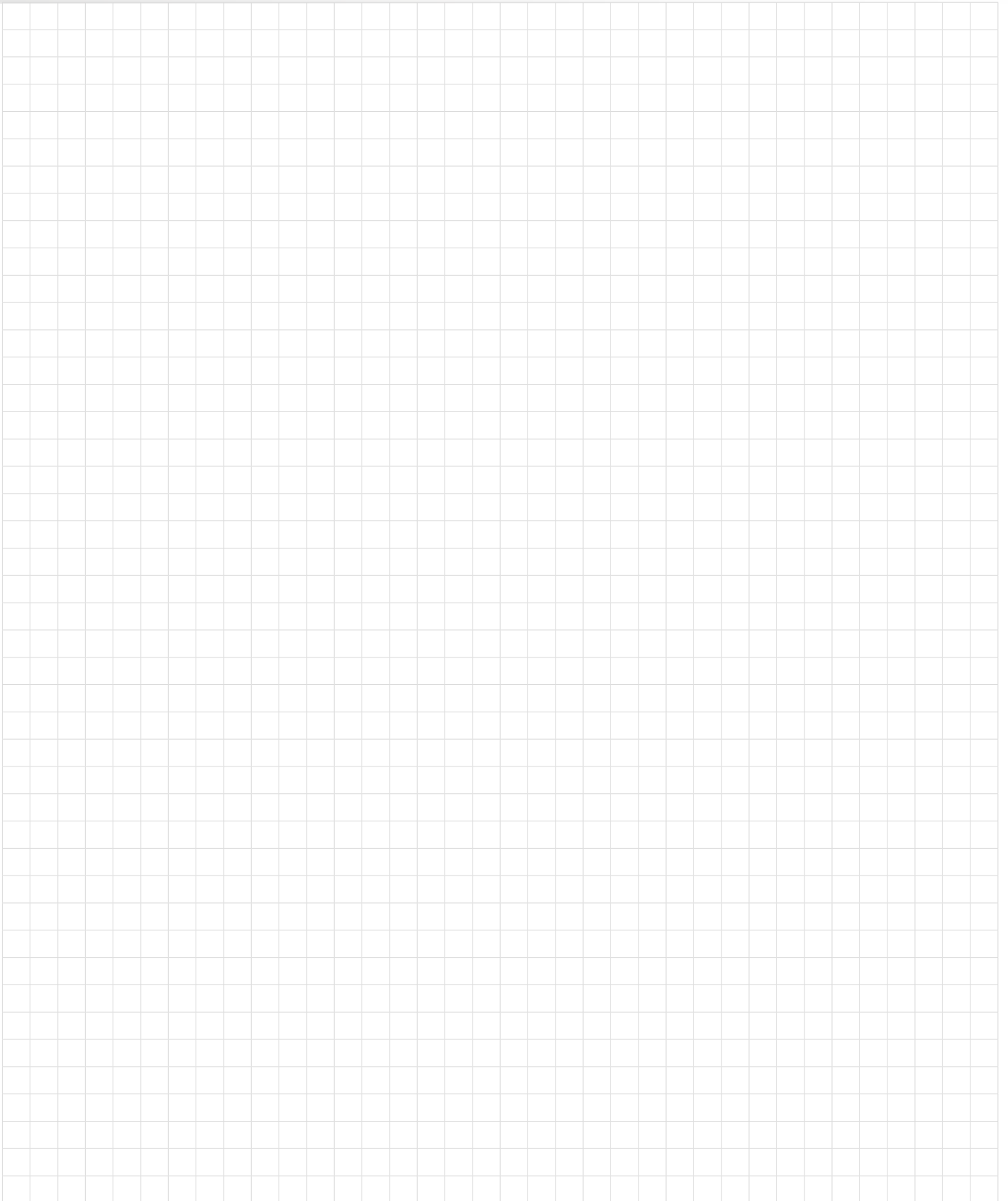
Multicoupling Series TFF - Multikupplung Serie TFF

Mold Side Item Equipment - Werkzeugseite Bestückung



N					Description / Beschreibung	Connections Anschlüsse	Scheme Schema
	MS TFF.10-X MHB	MHF	MS TFF.10-X MHB	MHF			
1	MS TFF.10-X MHB 10-90	MHF 10-90	MS TFF.10-X MHB 12-90	MHF 12-90	Plug + 90° elbow with standard hose tail Ø 10mm Nippel + 90° Winkelstandardschlauchtülle Ø 10mm	6	
	MS TFF.10-X MHB 12-90	MHF 12-90	MS TFF.10-X MHB 13-90	MHF 13-90	Plug + 90° elbow with standard hose tail Ø 12mm Nippel + 90° Winkelstandardschlauchtülle Ø 12mm		
2	MS TFF.10-X MPB 10-90	MPF 10-90	MS TFF.10-X MPB 13-90	MPF 13-90	Plug + 90° elbow with clampless hose tail Ø 10mm Nippel + 90° Winkelschnellstecktülle Ø 10mm	10	
	MS TFF.10-X MPB 13-90	MPF 13-90	MS TFF.10-X MHB 10	MHF 10	Plug + 90° elbow with clampless hose tail Ø 13mm Nippel + Standardschlauchtülle Ø 13mm		
3	MS TFF.10-X MHB 10	MHF 10	MS TFF.10-X MHB 12	MHF 12	Plug + adapter with standard hose tail Ø 10mm Nippel + Standardschlauchtülle Ø 10mm	12	
	MS TFF.10-X MHB 12	MHF 12	MS TFF.10-X MPB 10	MPF 10	Plug + adapter with standard hose tail Ø 12mm Nippel + Standardschlauchtülle Ø 12mm		
4	MS TFF.10-X MPB 10	MPF 10	MS TFF.10-X MPB 13	MPF 13	Plug + adapter with clampless hose tail Ø 10mm Nippel + Schnellstecktülle Ø 10mm	16	
	MS TFF.10-X MPB 13	MPF 13	MS TFF.10-X MFB 17	MFF 17	Plug + adapter with clampless hose tail Ø 13mm Nippel + Schnellstecktülle Ø 13mm		
5	MS TFF.10-X MFB 17	MFF 17	MS TFF.10-X MNB 17	MNF 17	Plug female thread BSP 3/8" Nippel mit Innengewinde BSP 3/8"	20	
	MS TFF.10-X MNB 17	MNF 17			Plug female thread NPT 3/8" Nippel mit Innengewinde NPT 3/8"		
						24	

N	Code	Description / Beschreibung	
1	ELH 17/10-90	Male BSP 3/8" - 90° elbow with standard hose tail Ø 10mm Aussengewinde BSP 3/8" - 90° Winkelstandardschlauchtülle Ø 10mm	
	ELH 17/12-90	Male BSP 3/8" - 90° elbow with standard hose tail Ø 12mm Aussengewinde BSP 3/8" - 90° Winkelstandardschlauchtülle Ø 12mm	
2	ELP 17/10-90	Male BSP 3/8" - 90° elbow with clampless hose tail Ø 10mm Aussengewinde BSP 3/8" - 90° Winkelschnellstecktülle Ø 10mm	
	ELP 17/13-90	Male BSP 3/8" - 90° elbow with clampless hose tail Ø 13mm Aussengewinde BSP 3/8" - 90° Winkelschnellstecktülle Ø 13mm	
3	MHA 17/10	Male BSP 3/8" adapter with standard hose tail Ø 10mm Aussengewinde BSP 3/8" Standardschlauchtülle Ø 10mm	
	MHA 17/12	Male BSP 3/8" adapter with standard hose tail Ø 12mm Aussengewinde BSP 3/8" Standardschlauchtülle Ø 12mm	
4	MPA 17/10	Male BSP 3/8" adapter with clampless hose tail Ø 10mm Aussengewinde BSP 3/8" Schnellstecktülle Ø 10mm	
	MPA 17/13	Male BSP 3/8" adapter with clampless hose tail Ø 13mm Aussengewinde BSP 3/8" Schnellstecktülle Ø 13mm	
5	M TFF.10 MFB 17	Plug female thread BSP 3/8" with valve Nippel Innengewinde BSP 3/8" mit Ventil	
	M TFF.10 MFF 17	Plug female thread NPT 3/8" without valve Nippel Innengewinde NPT 3/8" ohne Ventil	
6	MFE 17/17-20	Male female extension BSP 3/8" Aussengewinde / Innengewinde Verlängerung BSP 3/8"	
7	MS TFF.10-X	Mold side not equipped Werkzeugseite unbestückt	



SERIES HPAC

STANDARD CITO



HPAC



Inlet / Einlass

3/4"
1"
1 1/4"
1 1/2"
2"



Number of exits / Menge der Auslässe

2 - 8



Pressure / Druck

0 - 30 bar



Temperature range / Temperaturbereich

-50°C +200°C

Includes end caps, mounting screws are not included - Inklusive Endstopfen, Montageschrauben sind nicht enthalten

The anodized aluminum is not suitable for corrosive liquids (high chlorine content)
Das eloxierte Aluminium ist für korrosive Flüssigkeiten (hoher Chlorgehalt) nicht geeignet

OPTIONS / OPTIONEN

Colors and design according to customer requirements
Anorized

Farben und Auslegung nach Kundenwunsch
Eloxiert

USING AREAS / EINSATZBEREICHE

Injection moulding
Die casting

Kunststoffspritzguss
Alu Druckguss



With separator divided in the middle
Mit Trennsteg in der Mitte

Option R/B

ITEM CODE / ARTIKELNUMMER

HPAC T1 I - T2 O - S - N - C

- HPAC** Aluminium Collector / Alu Verteiler
- T1** Thread type inlet / Gewindetyp Einlass
- I** Thread Inlet / Einlassgewinde
- T2** Thread type outlet / Gewindetyp Auslass
- O** Thread outlet / Auslassgewinde
- S** Scheme / Schema
- N** Number exits /Anzahl Ausgänge
- C** Color / Farbe

Thread type
Gewindetyp

T1/ T2	Thread type Gewindetyp
G	BSP
N	NPT

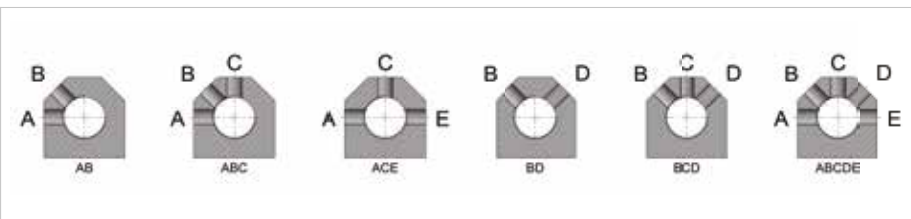
Inlet
Einlass

I	Thread size Gewindegröße
26	3/4"
33	1"
42	1 1/4"
48	1 1/2"
60	2"

Outless
Auslass

O	Thread size Gewindegröße
13	1/4"
17	3/8"
21	1/2"
26	3/4"

Scheme
Schema



Color
Farbe

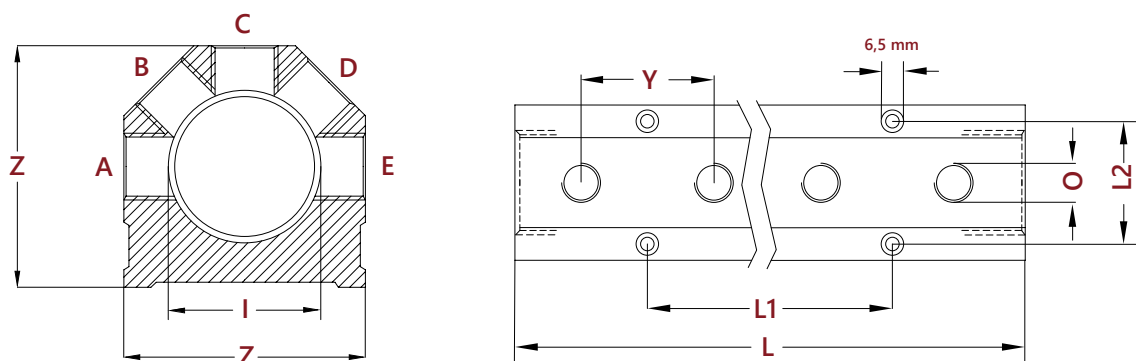
C	Color Farbe
R	Red / Rot
B	Blue / Blau
R/B	Red-Blue/ Rot-Blau
N	Anorized / Eloxiert

EXAMPLE CODE / BEISPIEL ARTIKELNUMMER

HPAC G33-G14-BCD-6 -R



DIMENSIONS / ABMESSUNGEN






I INLET	O OUTLET	N EXITS ON ONE SURFACE	L LENGHT	L1 DISTANCE BETWEEN MOUNTING HOLES	L2 DISTANCE BETWEEN MOUNTING HOLES	Y DISTANCE BETWEEN EXITS	Z HEIGHT
3/4"	1/4"	2	70	35	35	25,4	44,5
	3/8"	4	120	50,8			
	only A AC ACE BD	6	172	101,6			
	8	222	152,4				
1"	1/4"	2	95	47,5	38,1	31,75	50,8
	3/8"	4	159	63,5			
	only A AC ACE BD	6	222	127			
	8	286	190,5				
1 1/4"	1/4"	2	152	76	47,6	50,8	63,5
	3/8"	4	254	101,6			
	6	355	203,2				
	1/2"	8	457	304,8			
1 1/2"	1/4"	2	152	76	57,2	50,8	76,2
	3/8"	4	254	101,6			
	6	355	203,2				
	1/2"	8	457	304,8			
2"	3/8"	2	203	101,5	72,4	57,15	89,0
	1/2"	4	305	127			
	6	432	254				
	3/4"	8	559	381			

SERIES HPBC

STANDARD BRASS COLLECTORS



HPBC

 Inlet / Einlass	n Number of exits / Menge der Auslässe
3/4" 1" 1 1/4" 1 1/2" 2"	3 - 20
 Pressure / Druck	 Temperature range / Temperaturbereich
0 - 16 bar	5°C +110°C

End caps and mounting screws are not included - Endstopfen und Montageschrauben sind nicht enthalten

OPTIONS / OPTIONEN

Colors and design according to customer requirements

Farben und Auslegung nach Kundenwunsch

USING AREAS / EINSATZBEREICHE

Injection moulding
Die casting

Kunststoffspritzguss
Alu Druckguss



Collector carrier plate - Trägerplatte für Verteiler

HPBC 26/33 HPBC CP-70
HPBC 42/48/60 HPBC CP-150

ITEM CODE / ARTIKELNUMMER

HPBC T1 I - T2 O - N - C - L**HPBC** Brass Collector / Messing Verteiler**T1** Thread type inlet / Gewindetyp Einlass**I** Thread Inlet / Einlassgewinde**T2** Thread type outlet / Gewindetyp Auslass**O** Thread outlet / Auslassgewinde**N** Number exits / Anzahl Ausgänge**C** Color / Farbe**L** Total length / Gesamtlänge

Thread type Gewindetyp	T1/T2	Thread type Gewindetyp
	G	BSP
	N	NPT

Inlet Einlass	I	Thread size Gewindegröße
	26	3/4"
	33	1"
	42	1 1/4"
	48	1 1/2"
	60	2"

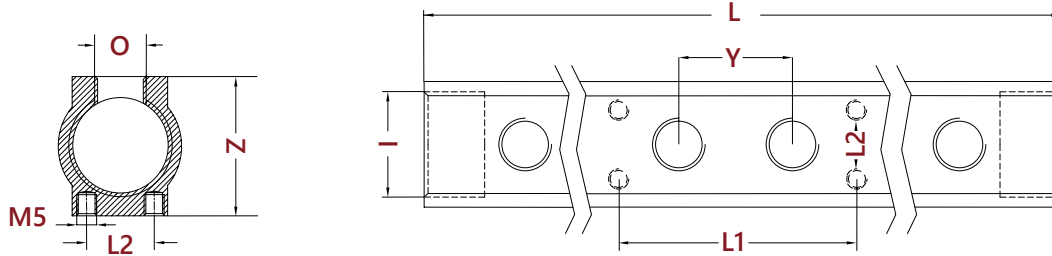
Outless Auslass	O	Thread size Gewindegröße
	13	1/4"
	17	3/8"
	21	1/2"
	26	3/4"
	33	1"

Color Farbe	C	Color Farbe
	R	Red / Rot
	B	Blue / Blau

EXAMPLE CODE / BEISPIEL ARTIKELNUMMER

HPAC G42-G17-8-R-356

DIMENSIONS / ABMESSUNGEN



I INLET	O OUTLET	ITEM CODES	N EXITS	L LENGHT	L1 DISTANCE BETWEEN MOUNTING HOLES	L2 DISTANCE BETWEEN MOUNTING HOLES	Y DISTANCE BETWEEN EXITS	Z HEIGHT
3/4"	1/4"	HPBC.G26.G13.3.120 HPBC.G26.G13.4.150 HPBC.G26.G13.5.180 HPBC.G26.G13.6.210 HPBC.G26.G13.7.240 HPBC.G26.G13.8.270 HPBC.G26.G13.9.300 HPBC.G26.G13.10.330 HPBC.G26.G13.11.360 HPBC.G26.G13.12.390	3 4 5 6 7 8 9 10 11 12	120 150 180 210 240 270 300 330 360 390	70	17	30	35
	3/8"	HPBC.G26.G17.4.165 HPBC.G26.G17.5.200 HPBC.G26.G17.6.235 HPBC.G26.G17.7.270 HPBC.G26.G17.8.305 HPBC.G26.G17.9.340 HPBC.G26.G17.10.375 HPBC.G26.G17.11.410 HPBC.G26.G17.12.445	4 5 6 7 8 9 10 11 12	165 200 235 270 305 340 375 410 445				
1"	1/4"	HPBC.G33.G13.4.165 HPBC.G33.G13.5.200 HPBC.G33.G13.6.235 HPBC.G33.G13.7.270 HPBC.G33.G13.8.305 HPBC.G33.G13.9.340 HPBC.G33.G13.10.375 HPBC.G33.G13.11.410 HPBC.G33.G13.12.445	4 5 6 7 8 9 10 11 12	165 200 235 270 305 340 375 410 445	70	17	35	42
	3/8"	HPBC.G33.G17.4.165 HPBC.G33.G17.5.200 HPBC.G33.G17.6.235 HPBC.G33.G17.7.270 HPBC.G33.G17.8.305 HPBC.G33.G17.9.340 HPBC.G33.G17.10.375 HPBC.G33.G17.11.410 HPBC.G33.G17.12.445	4 5 6 7 8 9 10 11 12	165 200 235 270 305 340 375 410 445				
	1/2"	HPBC.G33.G21.4.210 HPBC.G33.G21.5.260 HPBC.G33.G21.6.310 HPBC.G33.G21.7.360 HPBC.G33.G21.8.410 HPBC.G33.G21.9.460 HPBC.G33.G21.10.510 HPBC.G33.G21.11.560 HPBC.G33.G21.12.610 HPBC.G33.G21.16.810 HPBC.G33.G21.20.1110	4 5 6 7 8 9 10 11 12 16 20	210 260 310 360 410 460 510 560 610 810 1110			50	



Not painted brass collectors
Unlackierte Messing Verteiler




I INLET	O OUTLET	ITEM CODES	N EXITS	L LENGHT	L1 DISTANCE BETWEEN MOUNTING HOLES	L2 DISTANCE BETWEEN MOUNTING HOLES	Y DISTANCE BETWEEN EXITS	Z HEIGHT
1 1/4"	3/8"	HPBC.G42.G17.4.196 HPBC.G42.G17.5.236 HPBC.G42.G17.6.276 HPBC.G42.G17.7.316 HPBC.G42.G17.8.356 HPBC.G42.G17.9.396 HPBC.G42.G17.10.436 HPBC.G42.G17.11.476 HPBC.G42.G17.12.516 HPBC.G42.G17.16.676	4 5 6 7 8 9 10 11 12 16	196 236 276 316 356 396 436 476 516 676	150	20	40	51
	1/2"	HPBC.G42.G21.4.226 HPBC.G42.G21.5.276 HPBC.G42.G21.6.326 HPBC.G42.G21.7.376 HPBC.G42.G21.8.426 HPBC.G42.G21.9.476 HPBC.G42.G21.10.526 HPBC.G42.G21.11.576 HPBC.G42.G21.12.626 HPBC.G42.G21.12.826	4 5 6 7 8 9 10 11 12 16	226 276 326 376 426 476 526 576 626 826			50	
1 1/2"	3/8"	HPBC.G48.G17.4.196 HPBC.G48.G17.5.236 HPBC.G48.G17.6.276 HPBC.G48.G17.7.316 HPBC.G48.G17.8.346 HPBC.G48.G17.9.396 HPBC.G48.G17.10.436 HPBC.G48.G17.11.476 HPBC.G48.G17.12.516 HPBC.G48.G17.16.516	4 5 6 7 8 9 10 11 12 16	196 236 276 316 356 396 436 476 516 676	150	20	40	62
	1/2"	HPBC.G48.G21.4.165 HPBC.G48.G21.5.200 HPBC.G48.G21.6.235 HPBC.G48.G21.7.270 HPBC.G48.G21.8.305 HPBC.G48.G21.9.340 HPBC.G48.G21.10.375 HPBC.G48.G21.11.410 HPBC.G48.G21.12.445 HPBC.G48.G21.16.445	4 5 6 7 8 9 10 11 12 16	165 200 235 270 305 340 375 410 445			50	
2"	1"	HPBC.G60.G33.3.274 HPBC.G60.G33.4.374 HPBC.G60.G33.5.474 HPBC.G60.G33.6.574	3 4 5 6	274 374 474 574	150	20	100	74

SERIES HPCC

STAINLESS STEEL



HPCC

 mm	Inlet / Einlass	n	Number of exits / Menge der Auslässe
	1" 1 1/4" 1 1/2" 2"		2 - 8
 max.	Pressure / Druck	 max.	Temperature range / Temperaturbereich
	0 - 20 bar		-50°C +200°C

End caps and mounting screws are not included - Endstopfen und Montageschrauben sind nicht enthalten

OPTIONS / OPTIONEN

Design according to customer requirements

Auslegung nach Kundenwunsch

USING AREAS / EINSATZBEREICHE

Injection moulding
Die casting

Kunststoffspritzguss
Alu Druckguss

ITEM CODE / ARTIKELNUMMER

HPCC T1 I - T2 O - S - N - T

HPCC Stainless steel Collector / Edelstahl Verteiler

T1 Thread type inlet / Gewindetyp Einlass

I Thread Inlet / Einlassgewinde

T2 Thread type outlet / Gewindetyp Auslass

O Thread outlet / Auslassgewinde

S Scheme / Schema

N Number exits / Anzahl Ausgänge

T Type / Typ

Thread type
Gewindetyp

T1/T2	Thread type Gewindetyp
G	BSP
N	NPT

Inlet
Einlass

I	Thread size Gewindegröße
33	1"
42	1 1/4"
48	1 1/2"
60	2"

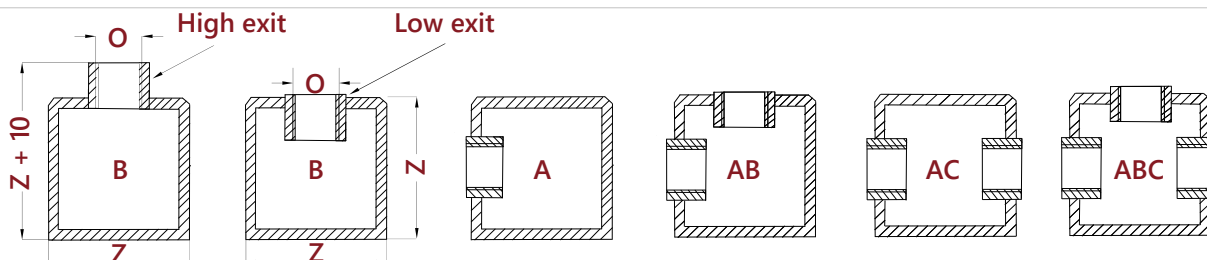
Outless
Auslass

O	Thread size Gewindegröße
13	1/4"
17	3/8"
21	1/2"
26	3/4"
33	1"

Type
Typ

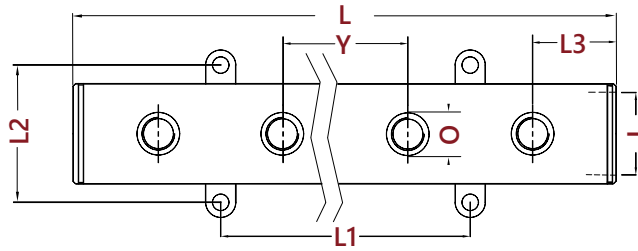
T	Type
HE	High exit
LE	Low exit

Scheme
Schema



EXAMPLE CODE / BEISPIEL ARTIKELNUMMER

HPCC G42-G17-AB-6 -HE



I INLET	O OUTLET	ITEM CODES	N EXITS	L LENGHT	L1 DISTANCE BETWEEN MOUNTING HOLES	L2 DISTANCE BETWEEN MOUNTING HOLES	L3	Y DISTANCE BETWEEN EXITS	Z HEIGHT
1"	1/4"	HPCC.G33.G13.S.2.T HPCC.G33.G13.S.4.T HPCC.G33.G13.S.6.T HPCC.G33.G13.S.8.T	2 4 6 8	130 210 290 370	0 100 200 300	55	45	40	40
	3/8"	HPCC.G33.G17.S.2.T HPCC.G33.G17.S.4.T HPCC.G33.G17.S.6.T HPCC.G33.G17.S.8.T	2 4 6 8	140 240 340 440	0 100 200 300				
1 1/4"	1/4"	HPCC.G42.G13.S.2.T HPCC.G42.G13.S.4.T HPCC.G42.G13.S.6.T HPCC.G42.G13.S.8.T	2 4 6 8	140 240 340 440	0 100 200 300	65	45	50	50
	3/8"	HPCC.G42.G17.S.2.T HPCC.G42.G17.S.4.T HPCC.G42.G17.S.6.T HPCC.G42.G17.S.8.T	2 4 6 8	140 240 340 440	0 100 200 300				
	1/2"	HPCC.G42.G21.S.2.T HPCC.G42.G21.S.4.T HPCC.G42.G21.S.6.T HPCC.G42.G21.S.8.T	2 4 6 8	140 240 340 440	0 100 200 300				
1 1/2"	1/4"	HPCC.G48.G13.S.2.T HPCC.G48.G13.S.4.T HPCC.G48.G13.S.6.T HPCC.G48.G13.S.8.T	2 4 6 8	140 240 340 440	0 100 200 300	65	45	50	50
	3/8"	HPCC.G48.G17.S.2.T HPCC.G48.G17.S.4.T HPCC.G48.G17.S.6.T HPCC.G48.G17.S.8.T	2 4 6 8	140 240 340 440	10 100 200 300				
	1/2"	HPCC.G48.G21.S.2.T HPCC.G48.G21.S.4.T HPCC.G48.G21.S.6.T HPCC.G48.G21.S.8.T	2 4 6 8	140 240 340 440	0 100 200 300				
2"	3/8"	HPCC.G60.G17.S.2.T HPCC.G60.G17.S.4.T HPCC.G60.G17.S.6.T HPCC.G60.G17.S.8.T	2 4 6 8	150 270 390 510	0 100 200 300	95	45	60	80
	1/2"	HPCC.G60.G21.S.2.T HPCC.G60.G21.S.4.T HPCC.G60.G21.S.6.T HPCC.G60.G21.S.8.T	2 4 6 8	150 270 390 510	0 100 200 300				
	3/4"	HPCC.G60.G26.S.2.T HPCC.G60.G26.S.4.T HPCC.G60.G26.S.6.T HPCC.G60.G26.S.8.T	2 4 6 8	150 270 390 510	0 100 200 300				

S = A / B / C / AB / AC / BC / ABC
T = HE / LE



95°C

Water / Air Hose MNG-E95S Wasser / und Pneumatik-Schlauch-E95S

Specifications / Spezifikationen

Rubber Tube Elastomer Seele	Synthetic rubber Synthetischer Gummi
Reinforcement Druckträger	High strength synthetic textile yarn Hochzugfeste Einlage aus synthetischem Textilgeflecht
Cover Elastomer Decke	Smooth synthetic rubber – Abrasion and tough use resistant Weicher synthetischer Gummi – Strapazierfähig und abriebresistent
Application Empfohlene Medien	Specially designed hose for compressed water or air transfer for different industrial purposes. Speziell entwickelter Schlauch für Wasser-/Pneumatikanwendungen zu verschiedenen industriellen Zwecken
Temperature Umgebungstemperatur	-25°C to +95°C
Colors	Red / Blue / Black Rot / Blau / Schwarz
Rollenlänge Roll length	50 m



Description Bezeichnung	Ø Inside Innendurchmesser		Ø Outside Aussendurchmesser	Working pressure (at 20°C) Betriebsdruck (bei 20°C)		Burst pressure (at 20°C) Berstdruck (bei 20°C)		Weight Gewicht
	Zoll	mm	mm	bar	PSI	bar	PSI	
MNG-E95S-10	3/8"	9,5	17	20	300	60	900	230
MNG-E95S-12	1/2"	13	21	20	300	60	900	320



90°C

Clampless Hose MNG-P90S

Steckschlauch MNG-P90S

Specifications / Spezifikationen

Rubber Tube Elastomer Seele	Synthetic rubber Synthetischer Gummi
Rubber Tube Druckträger	High tensile textile braid Eine hochzug Feste Textilgeflecht-Einlage
Cover Elastomer Decke	Oil-, abrasive, ozone and weather resistant smooth cover Öl-, Abrieb, Ozon- und Witterungsbeständige glatte Außendecke
Application Empfohlene Medien	Discharge under pressure of hydraulic fluids, fuel, grease, air and water Schmieröle, Kühlmittel, Frostschutzmittel, Luft, Wasser und Wasser-Öl-Emulsionen
Temperature Umgebungstemperatur	-40°C bis +100°C
Medium Temperature Medientemperatur	Air: 70°C Water : 90°C Luft: 75°C Wasser : 90°C
Colors Farben	Rot / Blau/ Schwarz Red / Blue / Black
Rollenlänge Roll length	30 m



The clampless-connect system enables time savings on assembly without an additional clamp. Under no circumstances use hose clamps on clampless hoses in combination with clampless hose adapter.

Das Schnellsteck-System ermöglicht eine zeitsparende Montage ohne zusätzliche Klemme. Schnellsteck-Schläuche dürfen auf keinen Fall mit Schlauchklemmen auf den Schnellsteckadapter montiert werden.

Description Bezeichnung	Ø Inside Innendurchmesser		Working pressure (at 20°C) Betriebsdruck (bei 20°C)		Burst pressure (at 20°C) Berstdruck (bei 20°C)		Min. bend radius Min. Biegeradius	Weight Gewicht
	Zoll	mm	bar	PSI	bar	PSI		
MNG-P90S-10	3/8"	9,5	24	348	72	1044	80	145
MNG-P90S-12	1/2"	12,7	21	305	63	914	100	220
MNG-P90S-16	5/8"	15,9	21	305	63	914	125	250
MNG-P90S-19	3/4"	19	21	305	63	914	150	310



120°C



Clampless Hose MNG-P120S

Steckschlauch MNG-P120S

Specifications / Spezifikationen

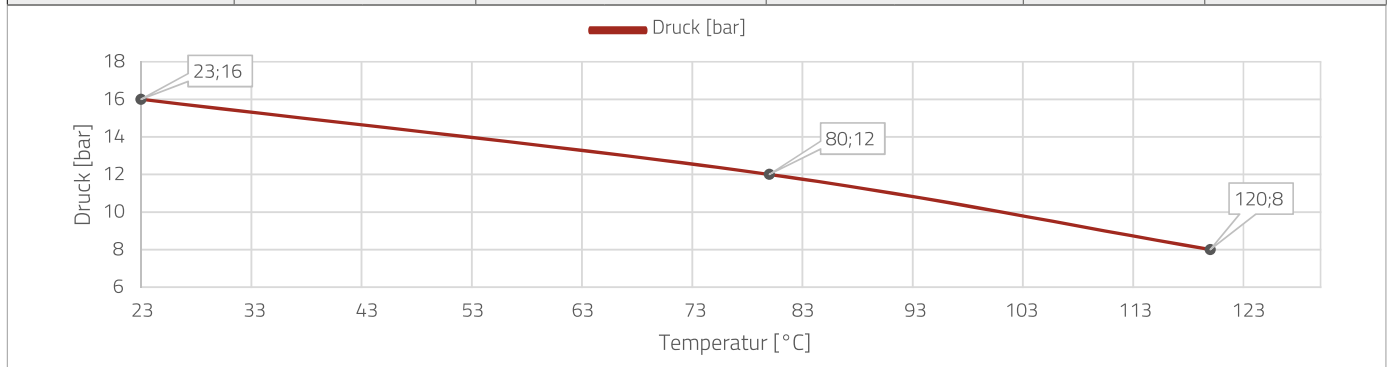
Rubber Tube Elastomer Seele	EPDM black EPDM schwarz
Reinforcement Druckträger	Synthetic yarn, spiralized Synthetische Garne, spiralisiert
Cover Elastomer Decke	Ozon- and weather resistant smooth EPDM cover Ozon- und Witterungsbeständige EPDM Außendecke
Application Empfohlene Medien	Cooling liquids, antifreeze, air, water Kühlmittel, Frostschutzmittel, Luft, Wasser
Temperature Umgebungstemperatur	-40°C up to +120°C
Media temperature Medientemperatur	Air: 75°C / Water: 120°C Luft: 75°C / Wasser : 120°C
Colors / Farben	Red / Blue / Black Rot / Blau / Schwarz



The clampless-connect system enables time savings on assembly without an additional clamp. Under no circumstances use hose clamps on clampless hoses in combination with clampless hose adapter.

Das Schnellsteck-System ermöglicht eine zeitsparende Montage ohne zusätzliche Klemme. Schnellsteck-Schläuche dürfen auf keinen Fall mit Schlauchklemmen auf den Schnellsteckadapter montiert werden.

Description Bezeichnung	Ø Inside Innendurchmesser		Working pressure Betriebsdruck (at 20°C) bei 20°C		Burst pressure Berstdruck (at 20°C) bei 20°C		Min.bend radius Min. Biegeradius	Weight Gewicht
	Zoll	mm	bar	PSI	bar	PSI		
MNG-P120S-10	3/8"	9,5 +0/-0,9	16	232	> 64	> 928	85	145
MNG-P120S-12	1/2"	12,7 +0/-0,9	16	232	> 64	> 928	110	225
MNG-P120S-16	5/8"	16 +0,5/-0,5	16	232	> 64	> 928	140	320
MNG-P120S-19	3/4"	19 +0,5/-0,5	16	232	> 64	> 928	170	385



**140°C**

Clampless Hose MNG-P140S

Steckschlauch MNG-P140S

Specifikations / Spezifikationen

Rubber rube Elastomer Seele	special synthetic rubber
Reinforcement Druckträger	high tensile textile braid
Cover Elastomer Decke	oil-, abrasive ozone and weather resistant smooth cover
Application Empfohlene Medien	For hydraulic control lines, discharge under pressure of hydraulic fluids, fuel, grease, air and water
Temperature Umgebungstemperatur	-40°C to +120°C
Medium Temperature Medientemperatur	Air: 70°C Water : 140°C (not suitable for steam application)
Color Farben	Rot Blau Schwarz
Roll lenght Rollenlänge	30 m



The clampless-connect system enables time savings on assembly without an additional clamp. Under no circumstances use hose clamps on clampless hoses in combination with clampless hose adapter.

Das Schnellsteck-System ermöglicht eine zeitsparende Montage ohne zusätzliche Klemme. Schnellsteck-Schläuche dürfen auf keinen Fall mit Schlauchklemmen auf den Schnellsteckadapter montiert werden.

Description Bezeichnung	Ø Inside Innendurchmesser		Working pressure (at 20°C) Betriebsdruck (bei 20°C)		Burst pressure (at 20°C) Berstdruck bei 20°C		Min.bend radius Min. Biegeradius	Weight Gewicht
	Zoll	mm	bar	PSI	bar	PSI		
MNG-P140S-10	3/8"	9,5	28	406	200	2900	75	165
MNG-P140S-12	1/2"	12,7	28	406	200	2900	90	245
MNG-P140S-16	5/8"	15,9	24	348	140	2030	115	290
MNG-P140S-19	3/4"	19	21	305	83	1203	150	320



DR
Flow divider



FLOW DIVIDER FOR

HYDRAULICS

General characteristics / Technische Eigenschaften

- Maximum admission pressure: 200 bar
 - Maximum service pressure: 240 bar
 - Maximum recommended speed: 4000 rpm
 - Minimum recommended speed: 2000 rpm
 - Available displacements: 2,1; 4,2 and 9,5 cm³
 - 2 and 4 parts available
 - Relief Valves
- The Rotary Gear Flow Dividers allow to control accurately the movement on 2 or 4 cylinders either single or double acting.
 - Each geared section is connected by a common axis, the rotating speed is the same for each section and the ow is proportional to the displacement in every chamber.
 - Differential Relief Valves: Our modular design allows us to add differential relief valves in each section of our ow dividers. They also serve to protect the ow divider against excessive differential pressure in the divider which could be caused by actuators
- Maximaler Eingangsdruck: 200 bar
 - Maximaler Betriebsdruck: 240 bar
 - Empfohlene Höchstdrehzahl: 4000 U/min
 - Empfohlene Mindestdrehzahl: 2000 U/min
 - Volumen: 2,1; 4,2 und 9,5 cm³
 - Erhältlich mit 2 und 4 Blöcken
 - Mit Sicherheitsventile erhältlich
- Der Zahnradmengenteiler teilt einen Ölstrom in 2 oder 4 gleiche Volumenströme auf.
 - Die Hydraulikzylinder bewegen sich dadurch parallel. Alle Kammern sind durch eine gemeinsame Welle verbunden.
 - Differential-Überdruckventile: Unser modularer Aufbau ermöglicht es uns, Differential-Überdruckventile in jedem Abschnitt unserer Stromteiler hinzuzufügen. Die Differenzdruckventile sind zum Schutz des Stromteilers vorgesehen. Sie schützen diesen wenn die Antriebe z.B. schwergängig sind oder gar blockieren. Diese Ventile können nicht als alleinige Sicherheitsventile im System verwendet werden.

Application examples / Anwendungsbeispiele

- Double active cylinders synchronization for: stabilization crutches, elevating platforms, maintenance cylinders, ejection drawers, etc...
 - 2 or 4 hydraulic engines speed synchronization feeded by the same ow, for maintenance, agricultural, heavy lifting, machines, etc...
 - Pressure multiplier (max + 69 bar): increases the force of a cylinder (by a value varying depending on the operating conditions), by dividing the ow rate by 2 (consult us for more details).
- Synchronisierung von doppeltwirkenden Zylindern: Hebebühnen, großflächige Auswerferplatten,...
 - Synchronisierung von 2 oder 4 Hydraulikmotoren für industrielle und landwirtschaftliche Anwendungen.
 - Druckvervielfacher (max + 69 bar): Erhöht die Kraft eines Zylinders (um einen Wert, der je nach Betriebsbedingungen variiert), durch halbieren der Durchflussrate (konsultieren Sie uns für weitere Details).

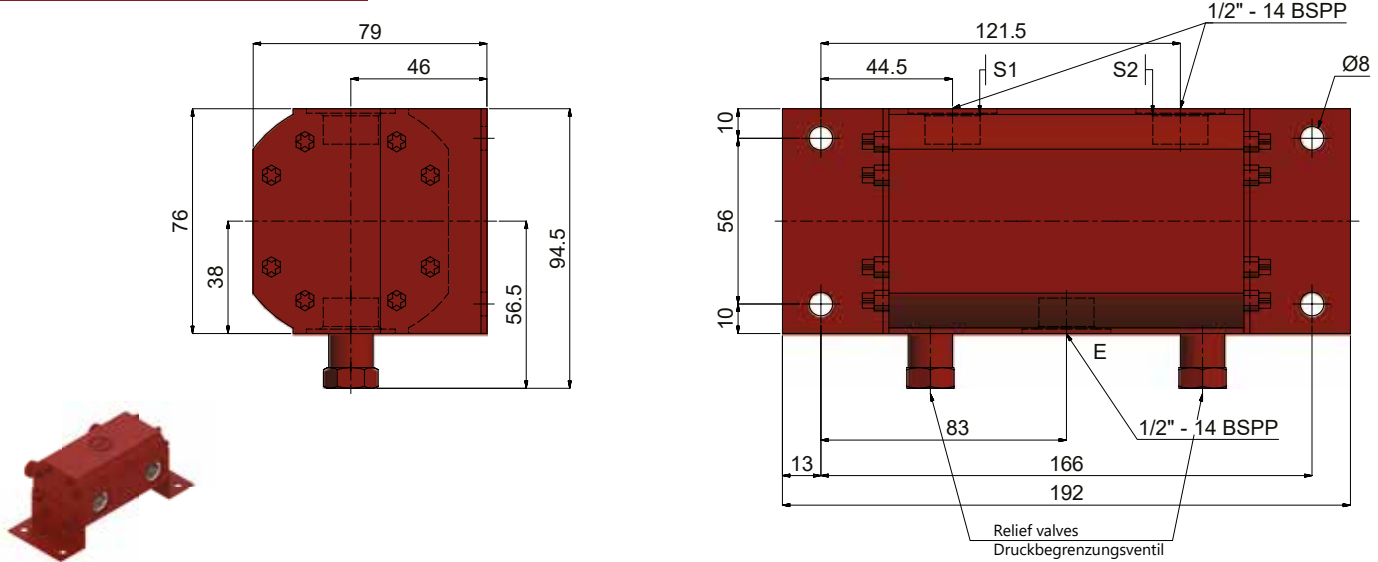


DRiDERS

FLOW DIVIDERS

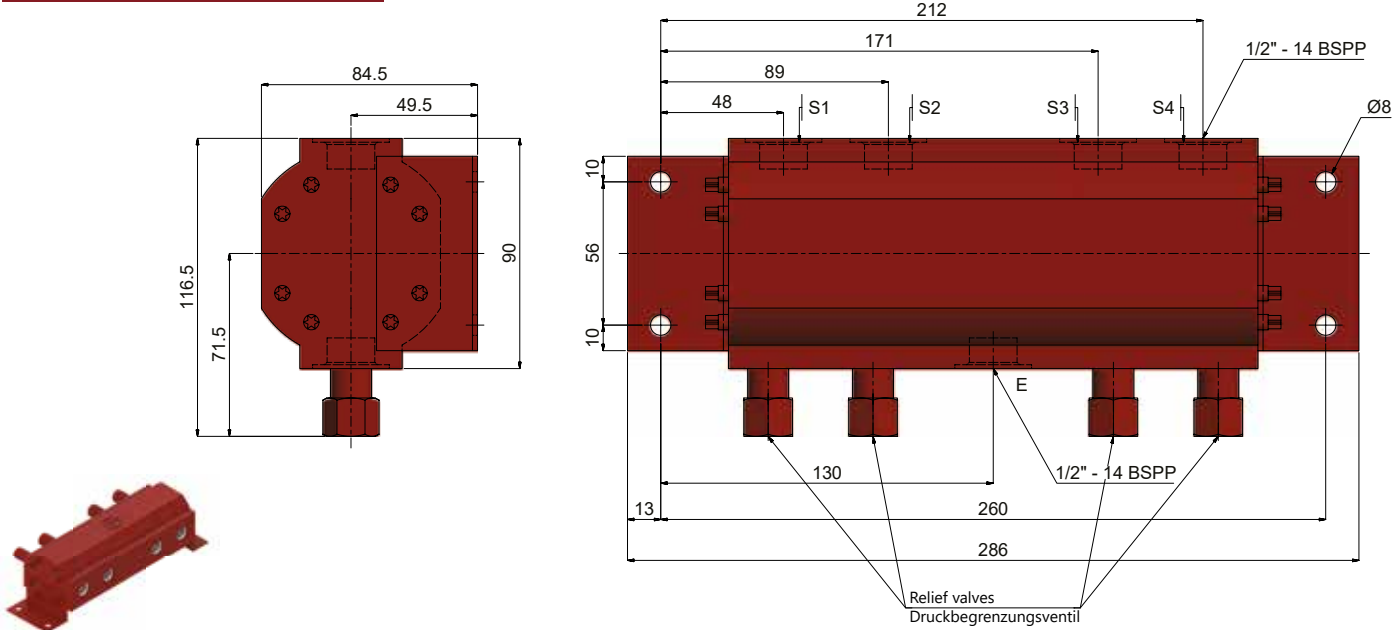
TECHNICAL SPECIFICATION / TECHNISCHE SPEZIFIKATIONEN

**Flow divider for 2 sections
Mengenteiler für 2 Volumenströme**



Section	Item code	Displacement per section (cm ³)	Flowrate per section at 2000 RPM (l/min)	Min. Inlet flowrate for a use at 2000 RPM (l/min)	Flowrate per section at 3500 RPM (l/min)	Inlet flowrate for a use at 3500 RPM (l/min)	Pressure	
							Inlet	Outlet
2	DR 1-2	2,11	4,22	8,44	7,39	14,77	200	240
	DR 2-2	4,23	8,46	16,92	14,81	29,61	200	240

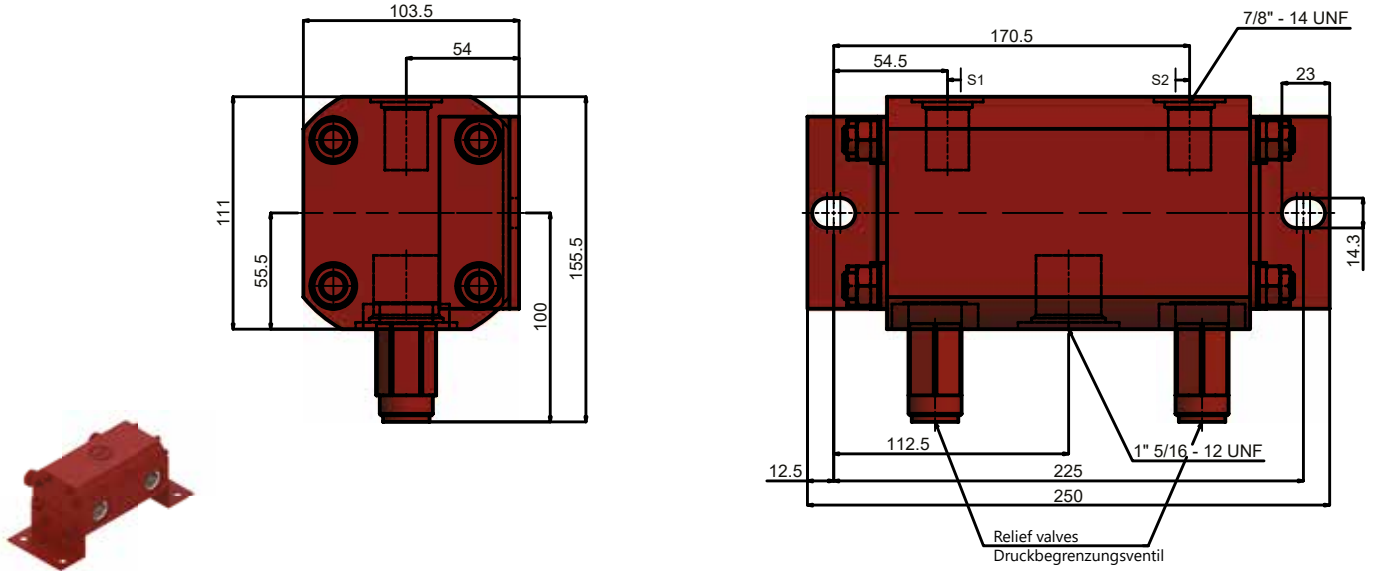
**Flow divider for 4 sections
Mengenteiler für 4 Volumenströme**



Section	Item code	Displacement per section (cm ³)	Flowrate per section at 2000 RPM (l/min)	Min. Inlet flowrate for a use at 2000 RPM (l/min)	Flowrate per section at 3500 RPM (l/min)	Inlet flowrate for a use at 3500 RPM (l/min)	Pressure	
							Inlet	Outlet
4	DR 1-4	2,11	4,22	16,88	7,39	29,54	200	240
	DR 2-4	4,23	8,46	33,84	14,81	59,22	200	240

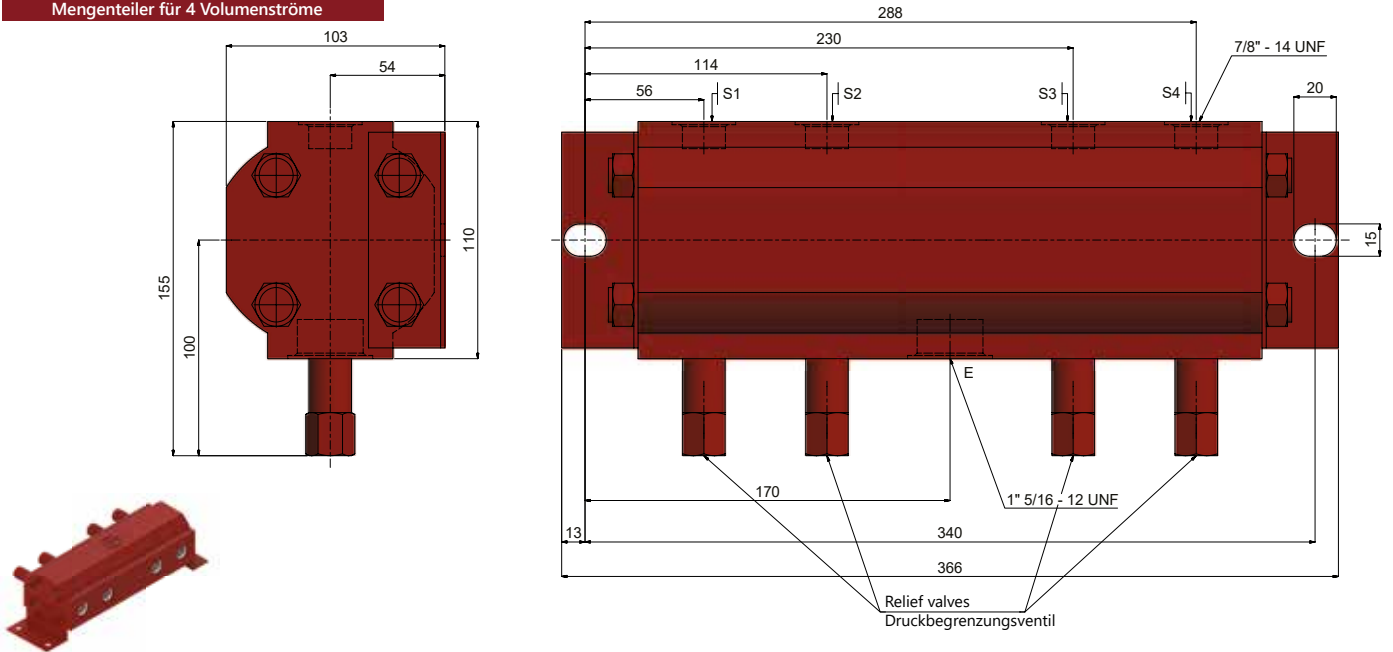
TECHNICAL SPECIFICATION / TECHNISCHE SPEZIFIKATIONEN

Flow divider for 2 sections
Mengenteiler für 2 Volumenströme



Section	Item code	Displacement per section (cm ³)	Flowrate per section at 2000 RPM (l/min)	Min. Inlet flowrate for a use at 2000 RPM (l/min)	Flowrate per section at 3500 RPM (l/min)	Inlet flowrate for a use at 3500 RPM (l/min)	Pressure	
							Inlet	Outlet
2	DR 2-9	9,52	19,04	38,08	33,32	66,64	200	240

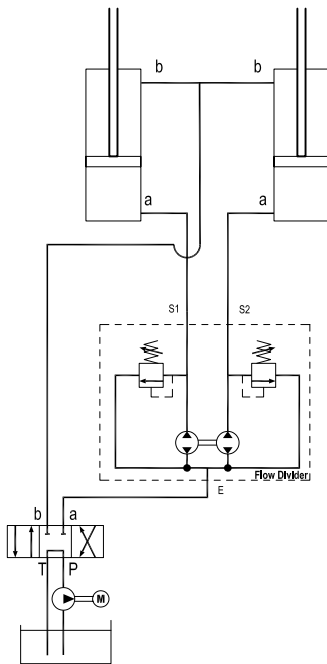
Flow divider for 4 sections
Mengenteiler für 4 Volumenströme



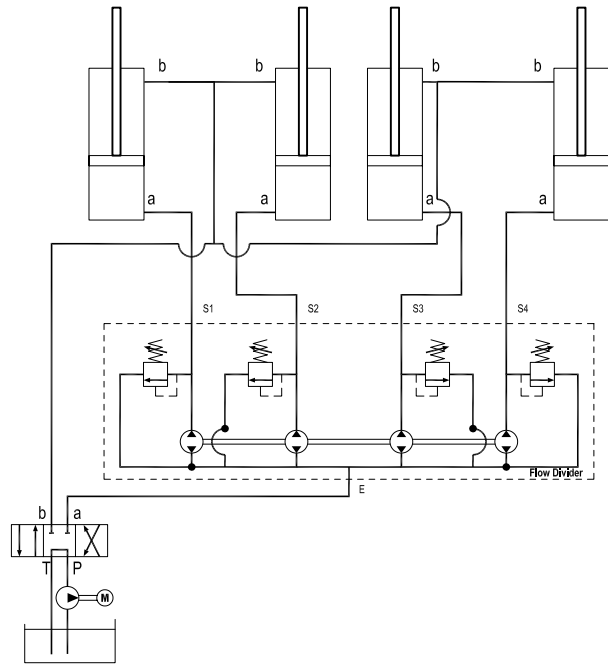
Section	Item code	Displacement per section (cm ³)	Flowrate per section at 2000 RPM (l/min)	Min. Inlet flowrate for a use at 2000 RPM (l/min)	Flowrate per section at 3500 RPM (l/min)	Inlet flowrate for a use at 3500 RPM (l/min)	Pressure	
							Inlet	Outlet
4	DR 4-9	9,52	19,04	76,04	33,32	133,28	200	240

HYDRAULIC DIAGRAM / HYDRAULIK SCHEMA

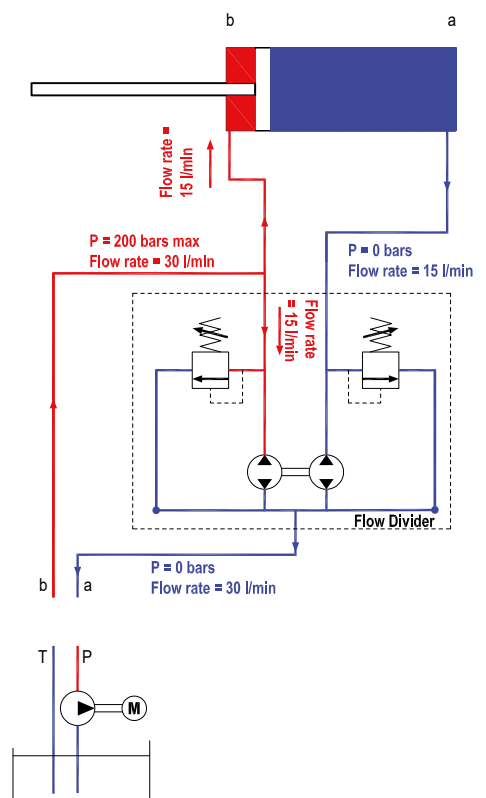
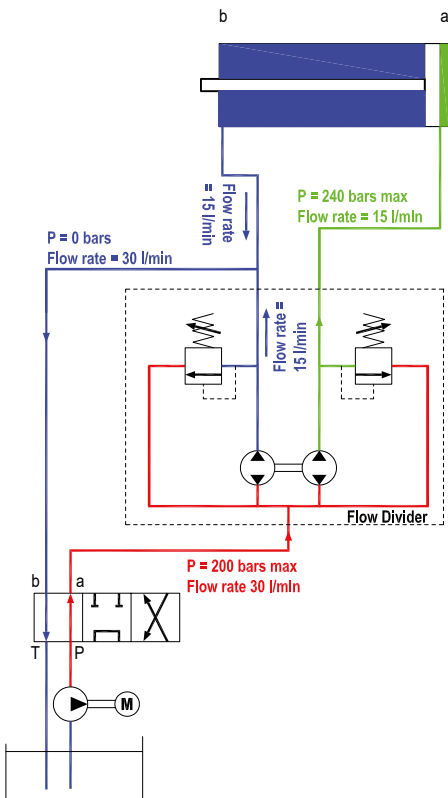
Flow divider for 2 sections
Mengenteiler für 2 Volumenströme



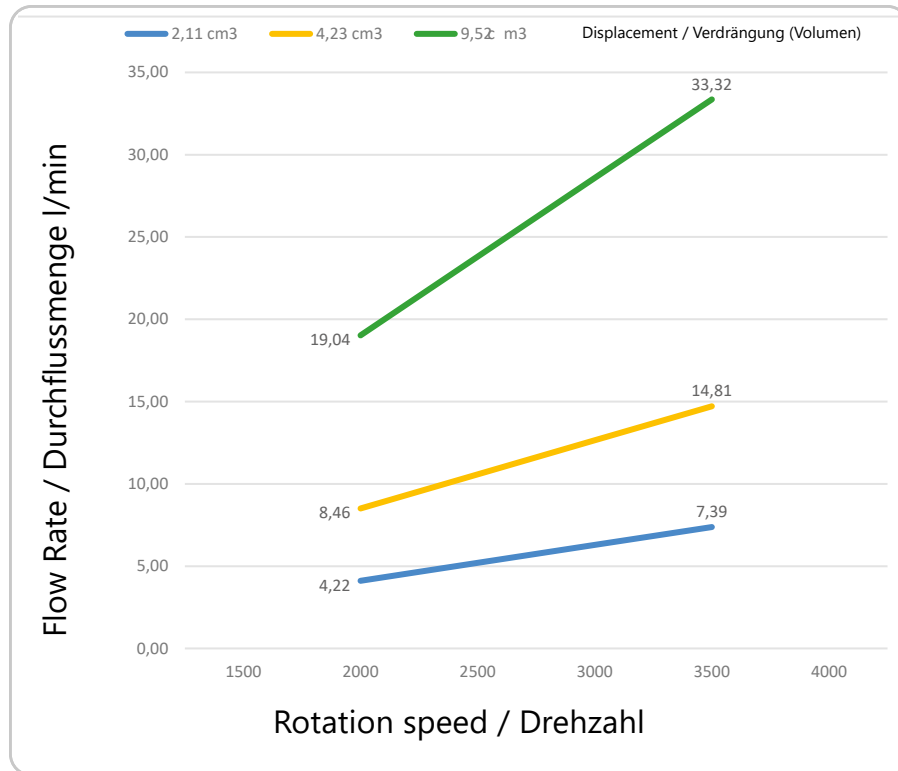
Flow divider for 4 sections
Mengenteiler für 4 Volumenströme



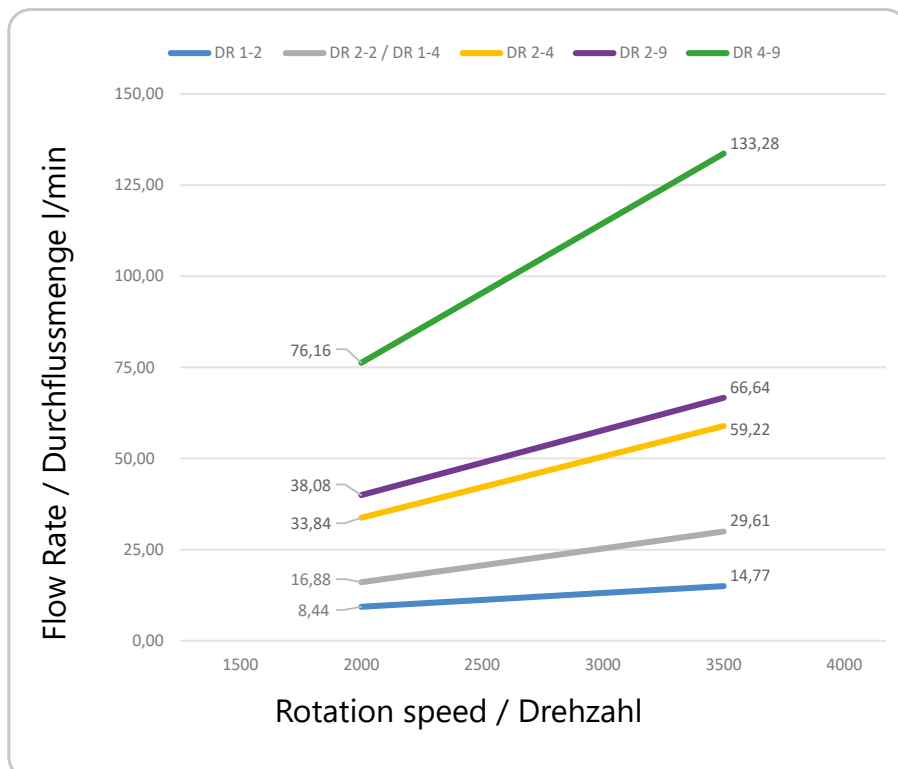
PRESSURE MULTIPLIER / DRUCK MULTIPLIKATOR



FLOWRATE PER SECTION / DURCHFLUSSMENGE JE KAMMER



INLET FLOWRATE / DURCHFLUSSMENGE AM ZULAUF





CODIPRO
Lifting rings



LIFTING RINGS FOR

Moulds and components



DSR - DOUBLE SWIVEL RING			
Diameter	SF 5:1 WLL	SF 4:1 WLL	Properties Besonderheiten
M5 - M42	0,07 - 8,50 (t)	0,10 - 9,00 (t)	Safety factor 4:1 and 5:1 Swiveling under load
UNC 1/4"-20 - UNC 1" 1/4-7	300 -13,500 (lbs)	450 - 13,500 (lbs)	Sicherheitsfaktor 4:1 und 5:1 Schwenken unter Last



DSS - DOUBLE SWIVEL SHACKLE			
Diameter	SF 5:1 WLL	SF 4:1 WLL	Properties Besonderheiten
M24 - M100	4,50 - 25,00 (t)	5,50 - 32,10 (t)	Safety factor 4:1 and 5:1 Swiveling under load
UNC 1"-8 - UNC 2" 1/2-4	10,000 -48,500 (lbs)	13,000 - 55,000 (lbs)	Sicherheitsfaktor 4:1 und 5:1 Schwenken unter Last



MEGA DSS+ - MEGA DOUBLE SWIVEL SHACKLE			
Diameter	SF 5:1 WLL	SF 4:1 WLL	Properties Besonderheiten
M64 - M100	30,00 - 60,00 (t)	35,00 - 70,00 (t)	Safety factor 4:1 and 5:1 Swiveling under load
UNC 2" 3/4-4 - UNC 4" -4	66,000 -132,000 (lbs)	77,00 - 154,000 (lbs)	Sicherheitsfaktor 4:1 und 5:1 Schwenken unter Last



GIGA DSS - GIGA DOUBLE SWIVEL SHACKLE			
Diameter	SF 5:1 WLL	Properties Besonderheiten	
M150	125,00 (t)	Safety factor 5:1 Swiveling under load	
		Sicherheitsfaktor 5:1 Schwenken unter Last	



FE.DSR - FEMALE DOUBLE SWIVEL RING			
Diameter	SF 5:1 WLL	SF 4:1 WLL	Properties Besonderheiten
M8 - M22	0,40 - 3,50 (t)	0,50 - 4,50 (t)	Safety factor 4:1 and 5:1 Swiveling under load
UNC 1/4"-20 - UNC 7/8"-9	330 -7,900 (lbs)	450 - 9,800 (lbs)	Sicherheitsfaktor 4:1 und 5:1 Schwenken unter Last



FE.DSS - FEMALE DOUBLE SWIVEL SHACKLE			
Diameter	SF 5:1 WLL	SF 4:1 WLL	Properties Besonderheiten
M24 - M52	4,50 - 19,00 (t)	5,50 - 21,00 (t)	Safety factor 4:1 and 5:1 Swiveling under load
UNC 1"-8 - UNC 2"-4,5	10,000 -38,000 (lbs)	13,000 - 50,000 (lbs)	Sicherheitsfaktor 4:1 und 5:1 Schwenken unter Last



SEB - SWIVEL EYE BOLD			
Diameter	SF 5:1 WLL	SF 4:1 WLL	Properties Besonderheiten
M8 - M48	0,40 - 15,00 (t)	0,50 - 16,00 (t)	Safety factor 4:1 and 5:1 Swiveling under load
UNC 3/8"-16 - UNC 2"-4,5	1,200 -33,000 (lbs)	1,500 - 35,200 (lbs)	Sicherheitsfaktor 4:1 und 5:1 Schwenken unter Last



FE.SE.B - FEMALE SWIVEL EYE BOLD			
Diameter	SF 5:1 WLL	SF 4:1 WLL	Properties Besonderheiten
M8 - M36	0,40 - 9,00 (t)	0,50 - 11,00 (t)	Safety factor 4:1 and 5:1 Swiveling under load
UNC 3/8"-16 - UNC 1" 1/4-7	1,200 -12,200 (lbs)	1,500 - 13,800 (lbs)	Sicherheitsfaktor 4:1 und 5:1 Schwenken unter Last

QL.DSR - QUICK LIFT DOUBLE SWIVEL RING

Diameter	SF 5:1 WLL	Properties Besonderheiten
M8 - M30	0,25 - 3,50 (t)	Safety factor 5:1 Swiveling under load
UNC 1/2"-13 - UNC 1"-8	1,300 - 5,00 (lbs)	Sicherheitsfaktor 4:1 und 5:1 Schwenken unter Last



Quick release button / Entriegelungsknopf

Description / Beschreibung

- The QLR (Quick Lift Ring) or QL.DSR is a double swivel ring that allows particularly fast mounting. At the push of a button, it can be fixed in the threaded hole with a simple click. Its double swivel ensures perfect alignment with the sling. The QL.DSR saves up to 80 % of time compared to screwing in a conventional lifting ring. The system works purely mechanically and thus requires no complex maintenance.
- The swivel lifting ring QL.DSR is made of GRADUP steel, which stands for a better raw material quality. It can be used for any lifting configuration (straight lift, with angle, tilting, rotating) by applying the tightening torque engraved on the ring. The QL.DSR lifting ring is designed for use in a temperature range from -20°C to +200°C and carries various markings, including CE, WLL and tightening torque.
- It is manufactured in compliance with the REACH regulation and is also available in stainless-steel.
- Der Anschlagwirbel QLR (Quick Lift Ring) bzw. QL.DSR ist ein dreh- und schwenkbarer Anschlagwirbel, der eine besonders schnelle Montage ermöglicht. Durch die Betätigung eines Druckknopfes kann er binnen Sekunden im Innengewinde befestigt werden. Seine Dreh- und Schwenkfunktion ermöglicht eine perfekte Ausrichtung in die Zugrichtung. Der QL.DSR ermöglicht eine Zeitersparnis von bis zu 80 % gegenüber dem Einschrauben eines klassischen Anschlagwirbels. Es handelt sich um ein rein mechanisches System, wodurch es weitestgehend wartungsfrei ist.
- Der Anschlagwirbel QL.DSR gehört zum GRADUP-Sortiment, welches für überdurchschnittliche Materialqualität steht. Er ist unter Berücksichtigung des eingravierten Anzugsdrehmoments für jede Art von Hebevorgang (gerader Zug, mit Hebewinkel, Kippen, Drehen) geeignet. Der QL.DSR ist für einen Temperaturbereich zwischen -20°C und +200°C geeignet und mit verschiedenen Kennzeichnungen versehen, darunter die CE-Kennzeichnung, die Tragfähigkeit und das Anzugsdrehmoment.
- Er wurde unter Einhaltung der REACH-Verordnung hergestellt und ist auch in Edelstahl erhältlich.

Ask for the CODIPRO main catalogue

Fragen Sie nach dem CODIPRO Hauptkatalog

IRONJAW

CLAMPING FORCE BOOSTER



1 IRONJAW unit / Einheit

IRONJAW system is the first technology in the world designed to boost the clamping force of plastic injection machines up to +60%. IRONJAW connects to the hydraulic lines of your Injection Molding Machine and it's operated and piloted by the Injection Molding Machine like a mold core. IRONJAW is available in 4 different kit sizes and each kit includes 2 units.

Das IRONJAW-System ist die erste Technologie der Welt, die die Schließkraft von Kunststoff-Spritzgießmaschinen um bis zu 60 % erhöht. IRONJAW wird an die Hydraulikleitungen Ihrer Spritzgießmaschine angeschlossen und von der Spritzgießmaschine über die Kernzugsteuerung bedient. IRONJAW ist in 4 verschiedenen Kit-Größen erhältlich und jedes Kit enthält 2 Einheiten.

AVERAGE / DURCHSCHNITT ROI 6 MONTHS / MONATE

IRONJAW SIZES / GRÖSSEN

	S	+50 tons
	M	+100 tons
	L	+250 tons
	XL	+400 tons

1 kit = 2 IRONJAW units

TYPICAL / TYPISCHE IRONJAW ROI

		Injection hours / Maschinenstunden SGM			
		2.000	4.000	6.000	8.000
1 YEAR 1 SHIFT	AVAILABLE TIME	~60%	~70%	~80%	~90%
	THEORETICAL TIME	~60%	~70%	~80%	~90%
1 YEAR 2 SHIFTS	AVAILABLE TIME	~60%	~70%	~80%	~90%
	THEORETICAL TIME	~60%	~70%	~80%	~90%
1 YEAR 3 SHIFTS	AVAILABLE TIME	~60%	~70%	~80%	~90%
	THEORETICAL TIME	~60%	~70%	~80%	~90%



Boosts the clamping force by up to +60%
Erhöht die Schließkraft an der Form um bis zu 60%



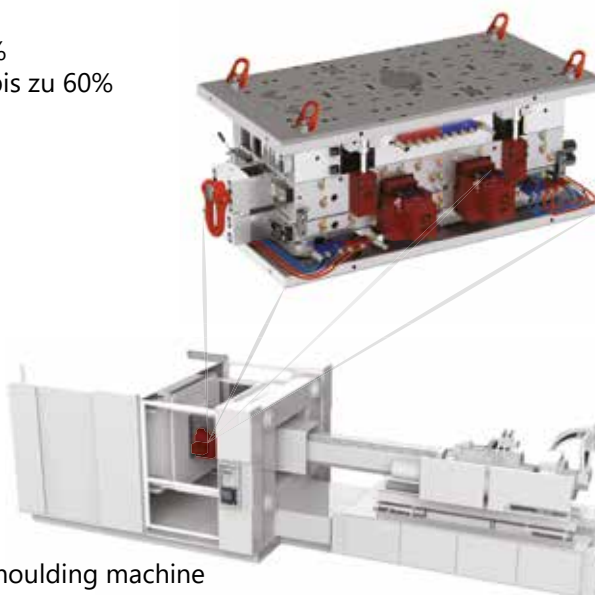
Reduces production costs
Senkt Produktionskosten



Fixed to the moulds
Wird am Werkzeug montiert



Compatible with any brand of injection moulding machine
Kompatibel mit allen Spritzgussmaschinenmarken





HEADQUARTERS:
HYDRAULIQUE PRODUCTION SYSTEMS
 62, chemin de la Chapelle Saint-Antoine
 Z.A.C.- 95300 Ennery - FRANCE
 Tel : +33 134 353 838
 Fax : +33 130 750 808
 Email : hps@hpsinternational.com
www.hpsinternational.com



HPS HYDROPNEU GmbH
 Industriestraße 5, 73061 Ebersbach an der Fils
 Tel: +49 7113 42 99 90
 Fax: +49 7113 42 99 91
 Email : info@hydropneu.de
www.hydropneu.de



HPS GmbH
 Industriestraße 5,
 73061 Ebersbach an der Fils
 Tel: +49 151 / 706 804 99
 Email : mail-hpg@hpsinternational.com



HP SYSTEMS POLSKA
 Wojska Polskiego 2A
 PL 05-220 Zielonka
 Tel: +48 226 143 411
 Email : hps@hps-polska.pl



HPS ACIM Hydro
 1, rue des VAB 42400 Saint Chamond
 Tel : +33 477 366 688
 Email : acimhydro@acimhydro.fr
www.acimhydro.fr



HPS In CZECH REPUBLIC
 Prokopa Holého 2086, 286 01 Čáslav,
 Czech Republic
 Mobile: +420 775 885 485
 Email : hps-czechrep@hpsinternational.com



HPS JARRY, LDA
 Rua Alcorredores - Edifício Onix - Fração E
 3020-923 Torre De Vilela - PORTUGAL
 Tel : +351 239 910 030
 Email : hps-portugal@hpsinternational.com



HPS ITALIA
 Via S. Lucia, 9 - 24128 Bergamo - ITALIA
 Tel: +39 035 063 0962
 Mobile: +39 3493888642
 Email : hps-it@hpsinternational.com



HPS In TURKIYE
 Teori Engineering and Consultancy
 Akse Mah. 69. sok. Park Panorama Rezidans No:77/33
 Cayirova - Kocaeli - TURKEY
 Tel: +905054946938 - Sinan Sutcu
 Email : hps-turkiye@sinansutcu.com



Morocco



HPS NORTH AMERICA
 5160 Ure St, Oldcastle, ON NOR 1L0
 Mobile Canada: +1 (519) 560 1768
 Email : hps-na@hpsinternational.com



HPS MEXICANA
 QuerZtaro:
 Avenida del MarquZs No. 37,
 Parque Industrial Bernardo Quintana;
 El MarquZs, QuerZtaro; zip code 76246
 Office: +52 81 40405009
 Email : hps-mexico@hpsinternational.com

Monterrey:
 San Pedro 2507, Colonia San Jorge
 Monterrey N.L. zip code 64330
 Office: +52 81 40405009
 Email : hps-mexico@hpsinternational.com



HPS ASIA / HPS SHENZEN LIMITED
 Floor 1, Industrial Building 2, Furong 7th Rd
 Furong Industrial Zone, Shajin St,
 518103 Bao'an District - Shenzhen, Guangdong
 CHINA
 Tel: +86 755 2917 8531
 Fax: +86 755 2903 4152
 Email : hps@hps-china.com



HPS INDIA
HYDRAULIQUE PRODUCTION SYSTEMS INDIA PVT LTD
 S.L.No. 128/2, Off. No -24,
 Sanghvi Compound, Mohan Nagar, Chinchwad
 Pune -411019, Maharashtra, India
 Mobile: +91 - 9850968342
 Email : hps-india@hpsinternational.com



HPS MERCOSUL
 Rua Maria Ant—nia C Ribeiro Dos Santos N;63
 CEP. 13086-746 Campinas - SP Brazil
 Tel: +55 19 3257 2039
 Email : hps-mercosul@hpsinternational.com

