

Description

Stroke:	Up to 100 mm
Piston Diameter:	32 / 50 / 80 / 100 mm
Cooling:	Active gland cooling through induced coolant
Ports/Connections:	<ul style="list-style-type: none"> - All ports/connections relocated to cylinder base - Flange connection with O-ring sealing or thread connections
Variants:	<ul style="list-style-type: none"> - Standard version with cooling (SQZ) - With end position detection without electric connections on the cylinder (SQN1) (additional processing unit (SQA) necessary in the pressure cycle) - With end position detection in the back and a query of a reached minimum stroke (SQN2) (additional processing unit (SQA) necessary in the pressure cycle) The minimum stroke, which has to be detected, will be defined for the cylinder dimensioning only once. Adjustments can be made subsequently through the replacement of the piston rod with the piston unit.
Seals:	Made for high ambient temperatures
Maintenance:	Easy access to all seals by dismantling the gland

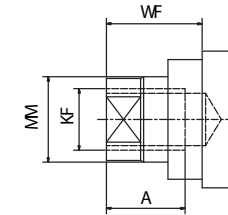
Technical data

- Operating Pressure: 175 bar (17,5 MPa)
- Test Pressure: 260 bar (26 MPa)
- Fluid Temperature Range: max. + 80 °C
- Piston Speed: ≤ 0,5 m/s

Hydraulic Pressure Fluids:

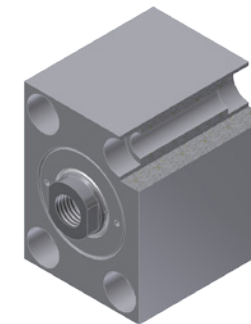
- HFC-Liquids

Piston rod end



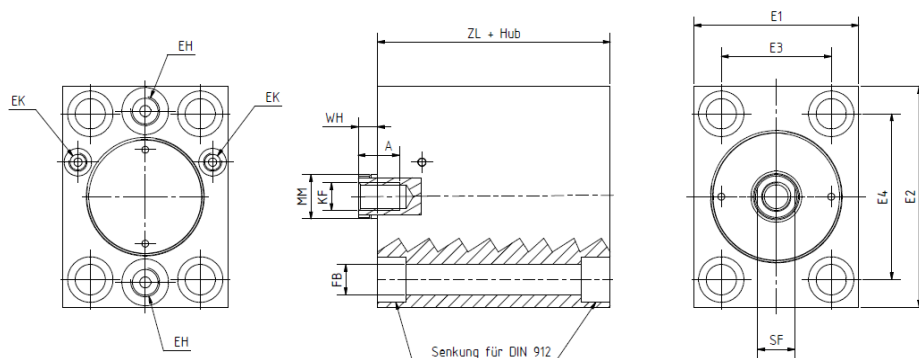
Inside thread, ref. no. 1

Mounting type



Mounting type: 43

Description: longitudinal bores, reductions on both sides, ports/connections relocated to the back



Piston Diameter	32	50	80	100
Piston Rod Diameter MM	20	32	50	63
A	15	30	40	60
KF	M12	M20	M30	M42
SF	17	27	41	50

For the analysis of the cylinder position of the corresponding SQN-variants, the external evaluation unit by Hydropneu is necessary. The evaluation unit is interposed into both hydraulic lanes. Afterwards it sends an electrical switch signal which indicates, in cooperation with the shift position of the control valve, the completion of the position which has to be queried.

Piston Diameter	32	50	80	100
Piston Rod Diameter MM	20	32	50	63
Piston Surface A ₁ (cm ²)	8,04	19,6	50,3	78,5
Rich Face A ₂ (cm ²)	4,90	11,6	30,6	47,4
Pressure/Compression Force (kN / 100 bar)	8,04	19,6	50,3	78,5
Traction/Tractive Force (kN / 100 bar)	4,90	11,6	30,6	47,4
E1	95	120	180	210
E2	125	160	230	280
E3	65	80	130	140
E4	95	120	180	210
EH (cylinder connections at threaded version)	G 1/2	G 1/2	G 1/2	G 1/2
EK (cooling connections at threaded version)	G 1/8	G 1/4	G 1/4	G 1/4
FB	18	22	33	36
WH	14	14	16	20
ZL	127	140	170	185